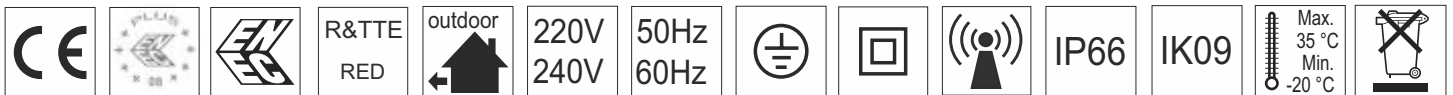
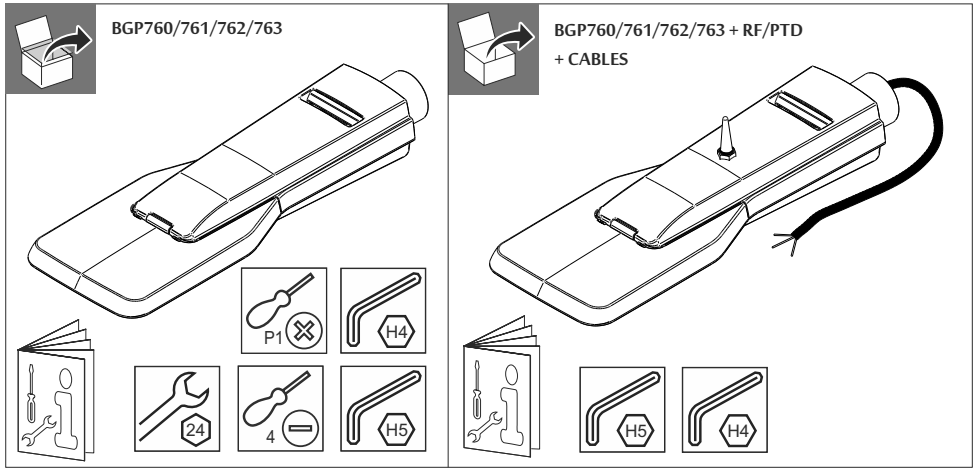


PHILIPS

DigiStreet

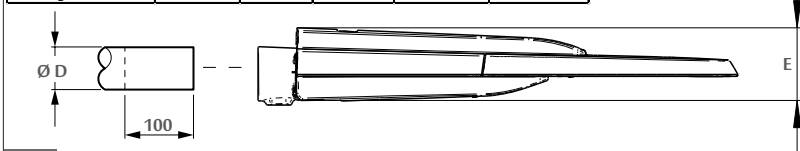
BGP760/761/762/763



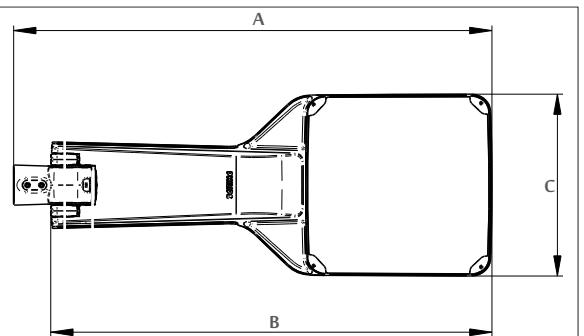
Luminaire	LEDs	Driver	MCB B16A	Inrush current I _{peak} (A)	Inrush current T _{width} (μs)	P(W)	P(W) (-/+11%)	m ²	Cxs(m ²)	kg (-/+10%)
DigiStreet Micro BGP760	6-10	22 FP	23	15	360	4-36	5,6-39,5	0,0578	0,045	6,5
	20	40W FP, CM	20	22	290					
	20	40W LP	18	27	265					
DigiStreet Mini BGP761	30-40	75W LP, FP, CM	11	46	250	24-70	27,5-74	0,0666	0,0589	8,3
		150W LP, FP, CM	8	53	300					
DigiStreet Medium BGP762	60-80	150W LP, FP, CM	8	53	300	50-147	55-152	0,068	0,0562	9,6
DigiStreet Large BGP763	100-120	2x 150W LP, FP, CM	4	106	300	135-220	144-230	0,080	0,0562	12,7
DigiStreet Micro SR BGP760	6-10	22W SR	21	18	320	4-36	5,9-40	0,0578	0,045	6,5
	20	40W SR	21	21	300					
DigiStreet Mini SR BGP761	30-40	75W SR	6	65	330	24-70	28,5-75	0,0666	0,0589	8,3
DigiStreet Medium SR BGP762	60-80	150W SR	6	65	330	50-147	57-154	0,068	0,0562	9,6
DigiStreet Large SR BGP763	100-120	2x 150W SR	3	130	330	135-220	146-230	0,080	0,0562	12,7

SR - Sensor Ready driver; LP - Light Prog driver; FP - Full Prog driver; CM - Coded Mains driver (D28)

Dimensions in [mm] with 62mm spigot					
Luminaire	A	B	C	D	E
Micro BGP760	695	627	236	32-76	103
Mini BGP761	860	792	236	32-76	107
Medium BGP762	860	792	361	32-76	107
Large BGP763	1011	945	361	32-76	121

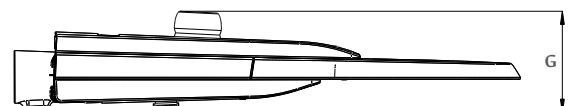
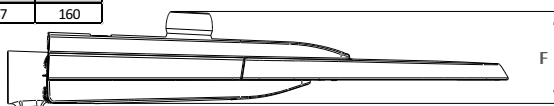


1a



Dimensions in [mm]		
Luminaire	F	G
Micro BGP760	130	144
Mini BGP761	134	148
Medium BGP762	134	148
Large BGP763	147	160

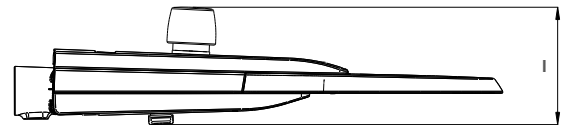
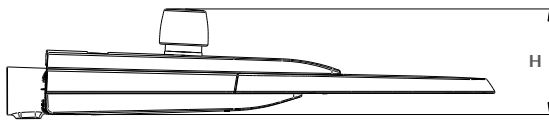
CityTouch OLC COM SR



Standardized SR Socket

Dimensions in [mm]		
Luminaire	H	I
Micro BGP760	170	184
Mini BGP761	174	188
Medium BGP762	174	188
Large BGP763	187	201

CityTouch OLC NEMA SR

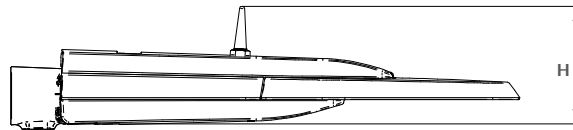


Standardized SR Socket

1c

Dimensions in [mm]	
Luminaire	H
Micro BGP760	178
Mini BGP761	182
Medium BGP762	182
Large BGP763	196

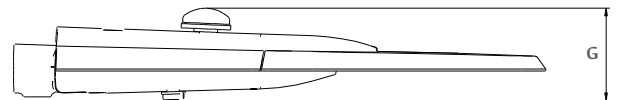
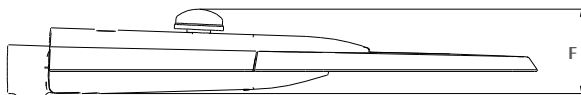
RF Antenna



1d

Dimensions in [mm]		
Luminaire	F	G
Micro BGP760	133	147
Mini BGP761	137	151
Medium BGP762	137	151
Large BGP763	150	164

EasyAir OLC SR



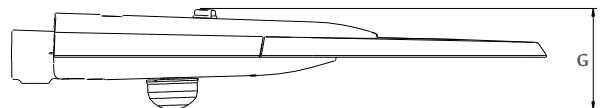
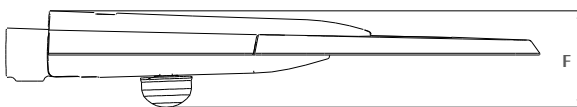
Standardized SR Socket

1e

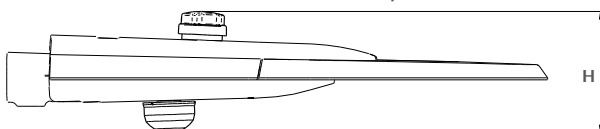
Dimensions in [mm]				
Luminaire	F	G	H	K
Micro BGP760	152	162	190	164
Mini BGP761	156	166	195	169
Medium BGP762	156	166	195	169
Large BGP763	169	179	208	182

Wattstopper OLC SR

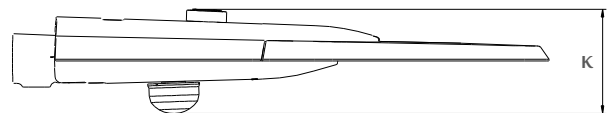
Standardized SR Socket



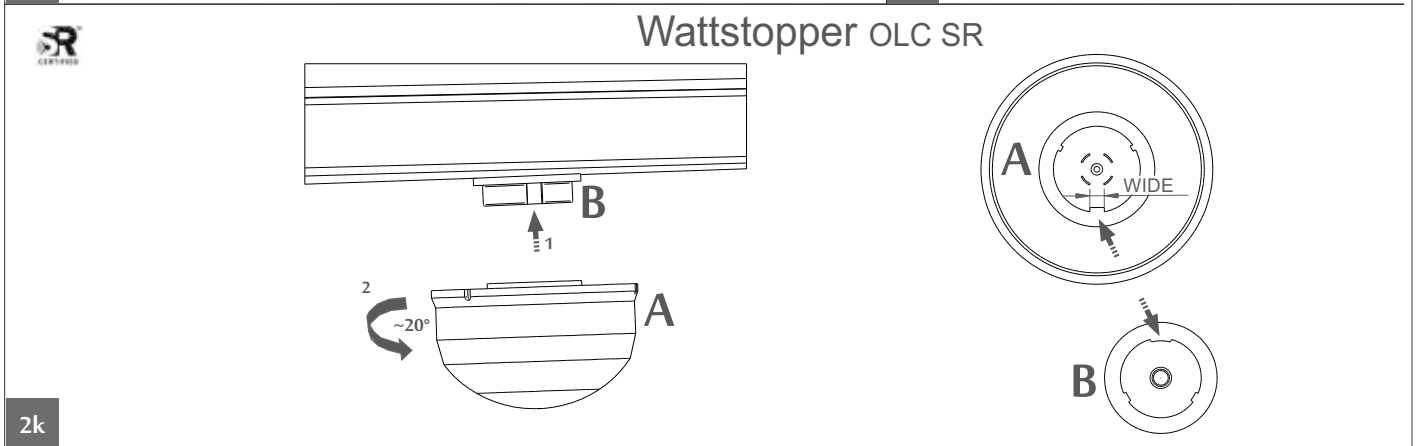
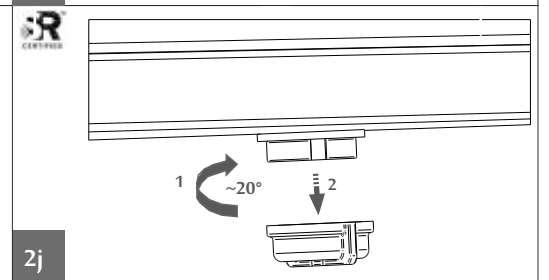
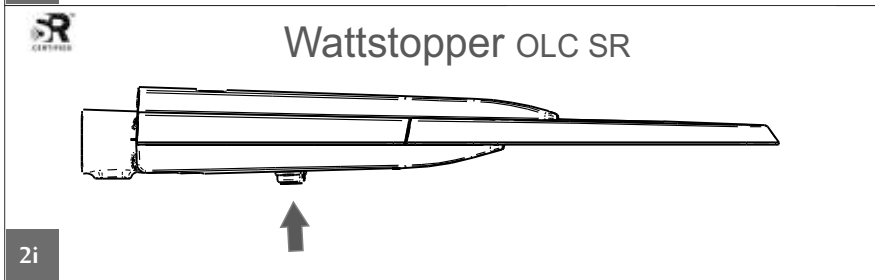
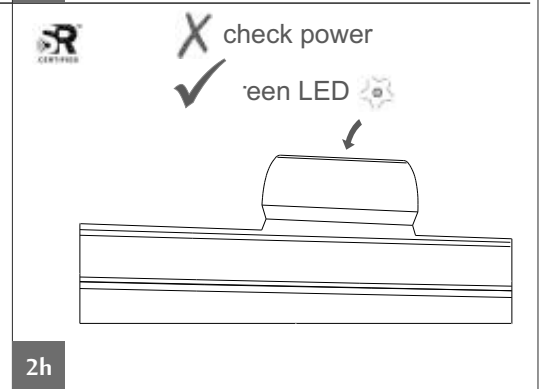
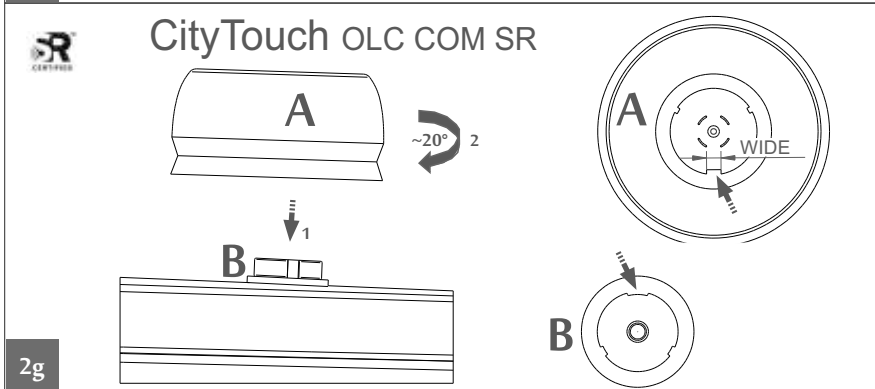
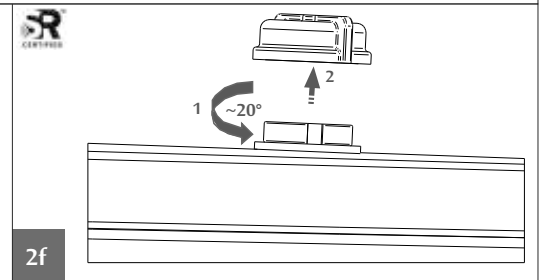
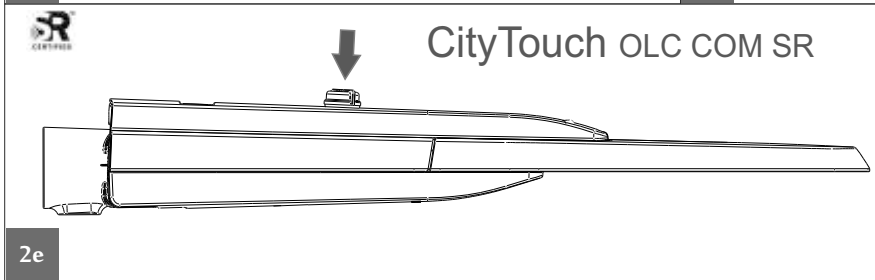
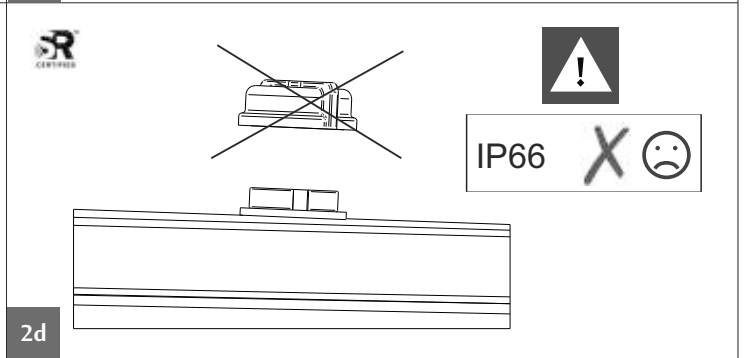
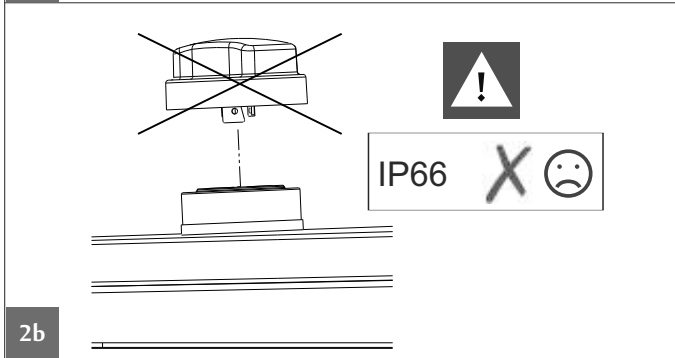
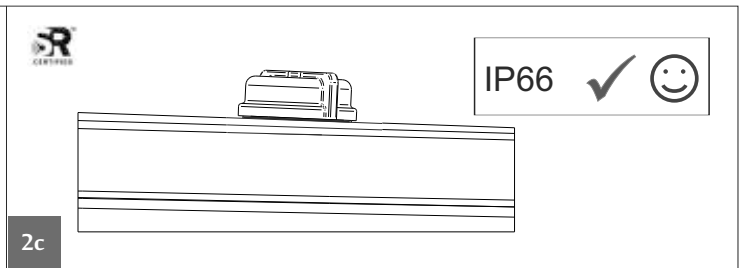
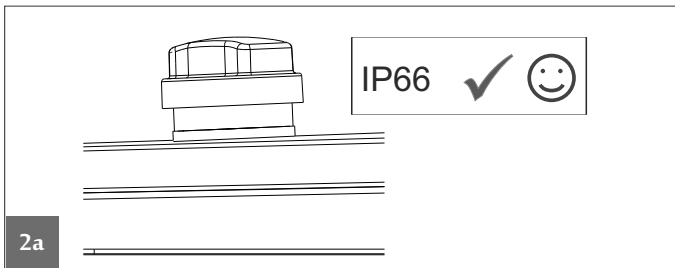
7-PIN NEMA Socket with cap

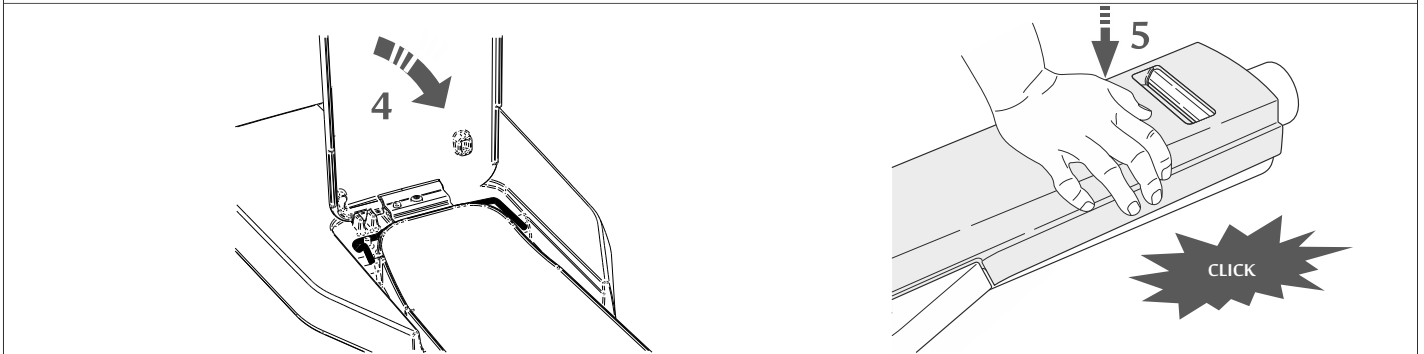
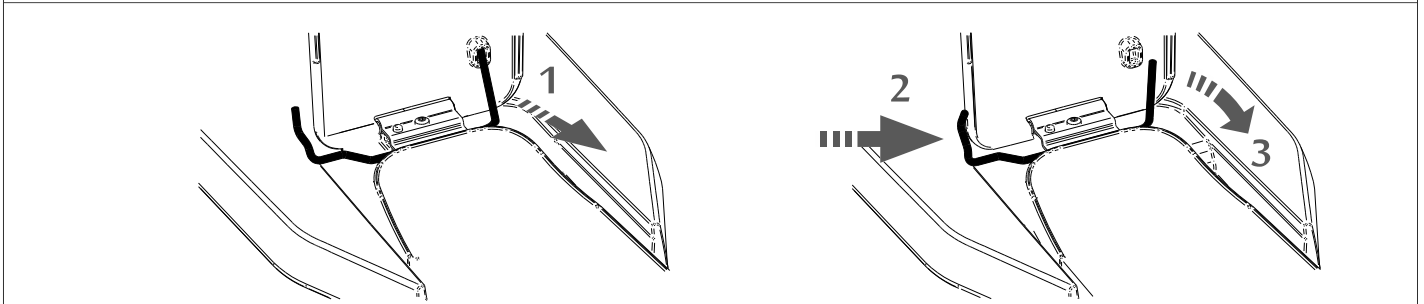
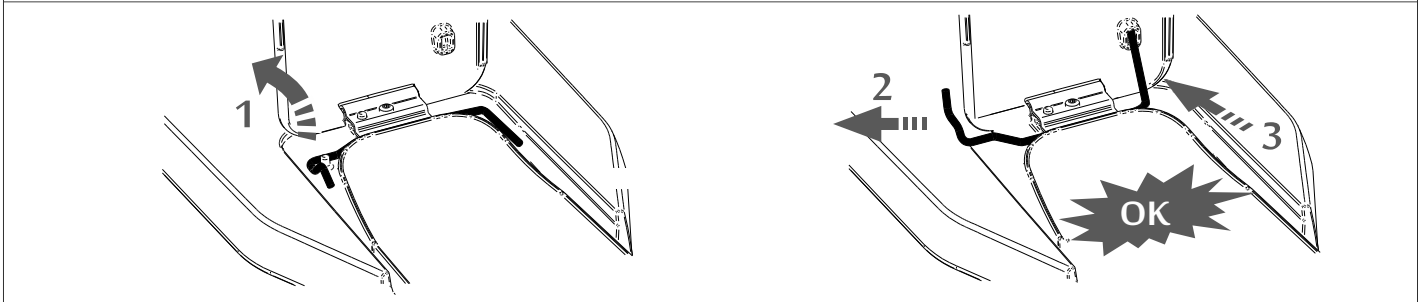
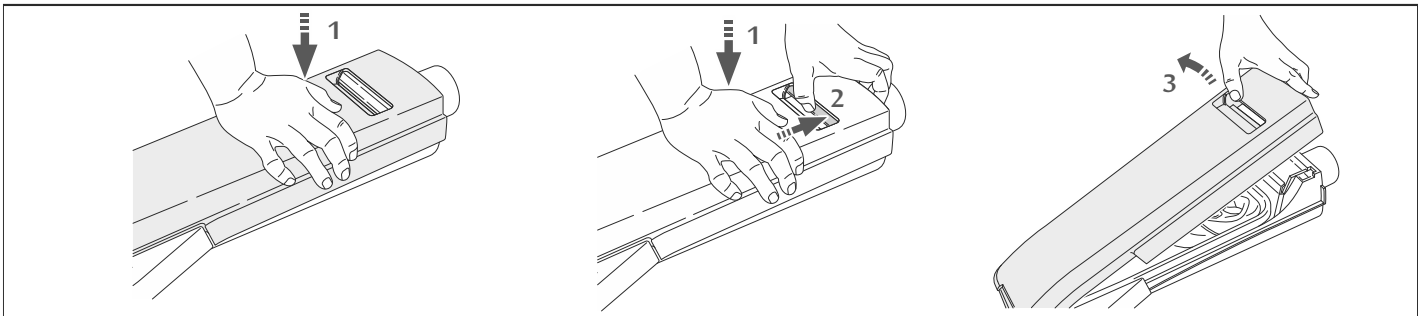
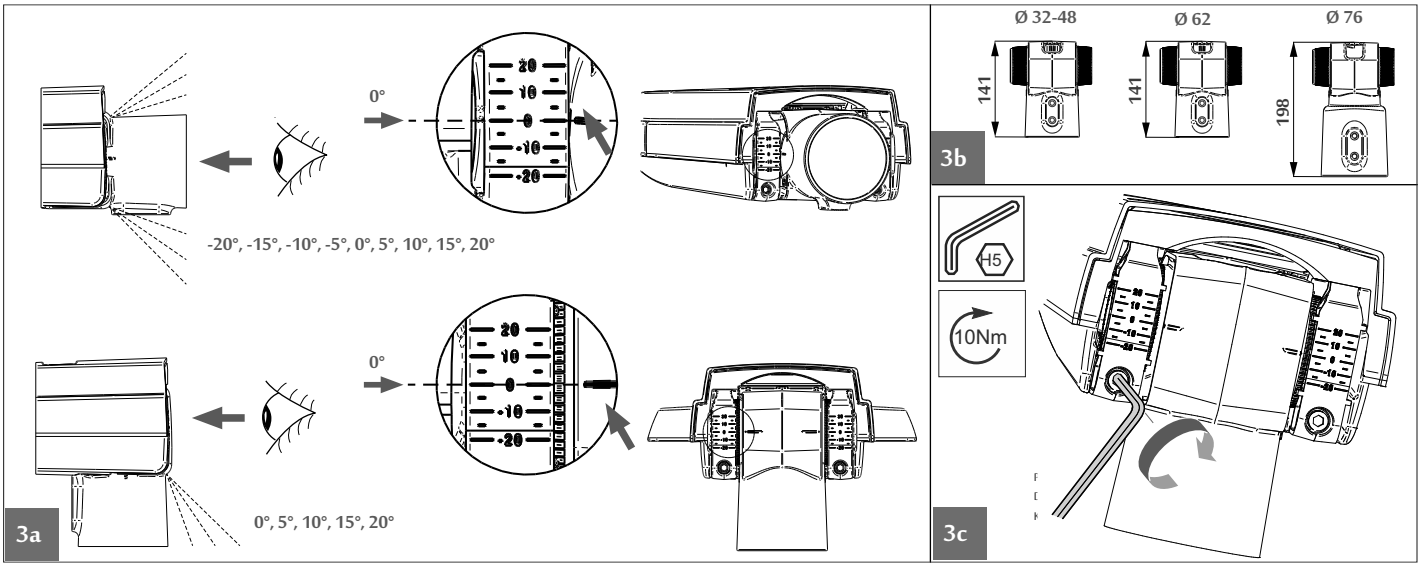


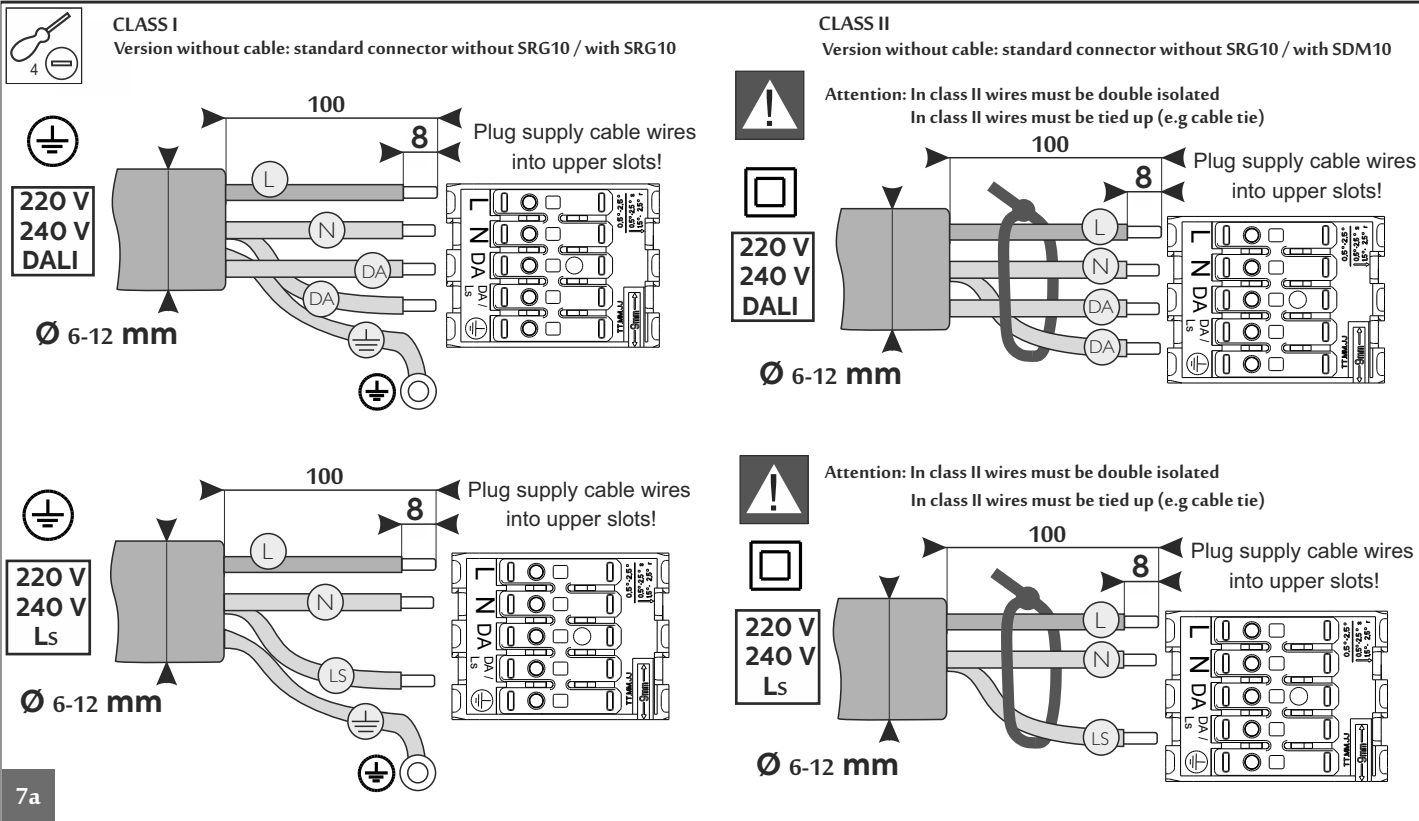
7-PIN NEMA Socket



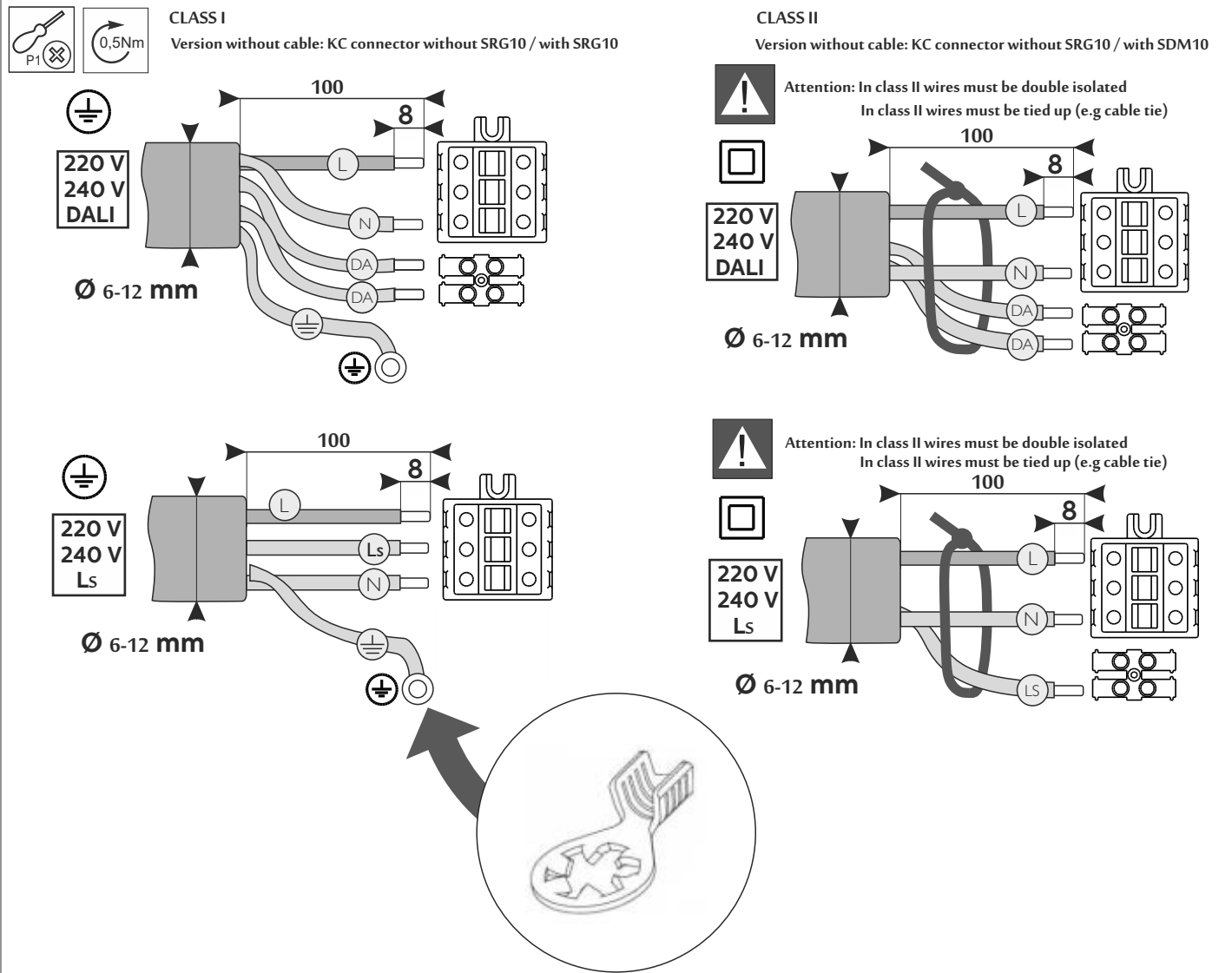
1f







7a



7b

Disconnect before servicing
 Mettre hors tension avant intervention
 Öffnen nur spannungsfrei
 Demonteren voor onderhoud

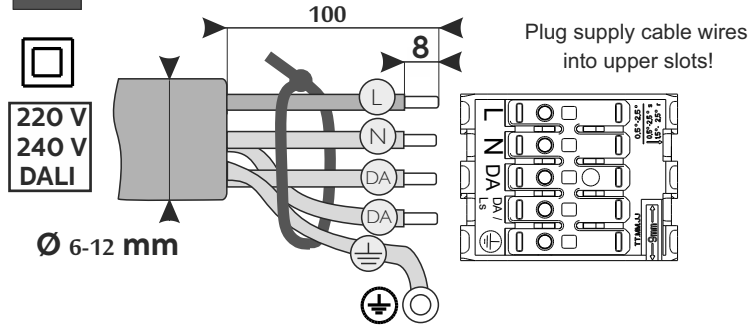
Togliere tensione prima di fare manutenzione
 Desconectar antes de manipular
 Bryt strömmen före lampbyte



CLASS II
Version without cable: standard connector with SRG10



Attention: In class II wires must be double isolated
In class II wires must be tied up (e.g cable tie)



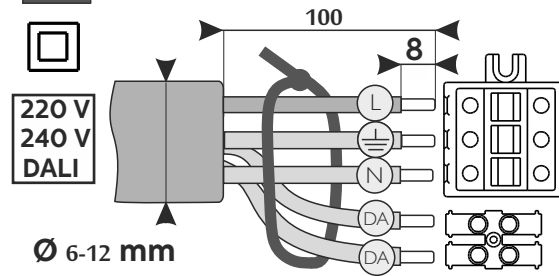
7c



CLASS II
Version without cable: KC connector with SRG10

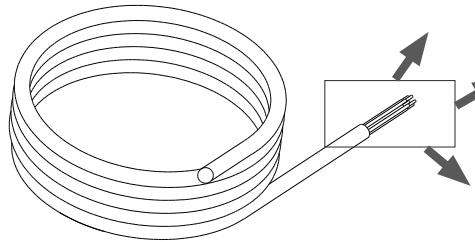


Attention: In class II wires must be double isolated
In class II wires must be tied up (e.g cable tie)



7d

Standard version with cable

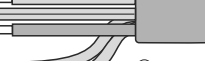


220 V
240 V



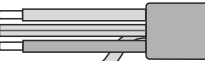
- (N) blue (BU)
- (L) brown (BN)
- (G) yellow-green (GNYE)

220 V
240 V
DALI



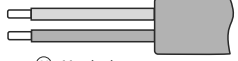
- (N) blue (BU)
- (L) brown (BN)
- (G) yellow-green (GNYE)
- (DA) grey (GY)
- (DA) black (BK)

220 V
240 V
Ls



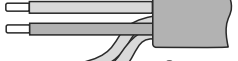
- (S) black (BK)
- (G) yellow-green (GNYE)
- (N) blue (BU)
- (L) brown (BN)

220 V
240 V



- (N) blue (BU)
- (L) brown (BN)

220 V
240 V
DALI



- (N) blue (BU)
- (L) brown (BN)
- (DA) grey (GY)
- (DA) black (BK)

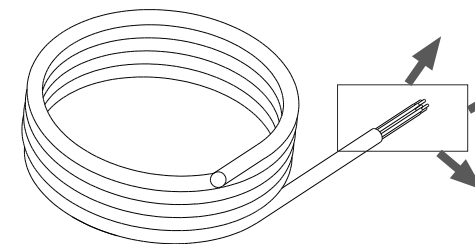
220 V
240 V
Ls



- (S) black (BK)
- (N) blue (BU)
- (L) brown (BN)

8a

005 version with cable

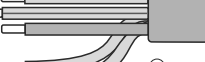


220 V
240 V



- (N) blue (BU)
- (L) black (BK)
- (G) yellow-green (GNYE)

220 V
240 V
DALI



- (N) blue (BU)
- (L) black (BK)
- (G) yellow-green (GNYE)
- (DA) grey (GY)
- (DA) brown (BN)

220 V
240 V
Ls



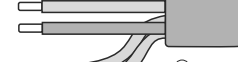
- (S) brown (BN)
- (G) yellow-green (GNYE)
- (N) blue (BU)
- (L) black (BK)

220 V
240 V



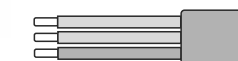
- (N) blue (BU)
- (L) black (BK)

220 V
240 V
DALI



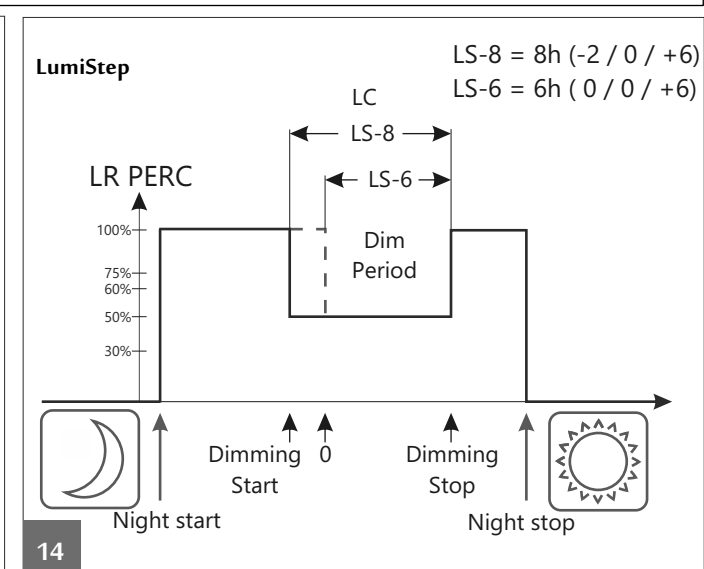
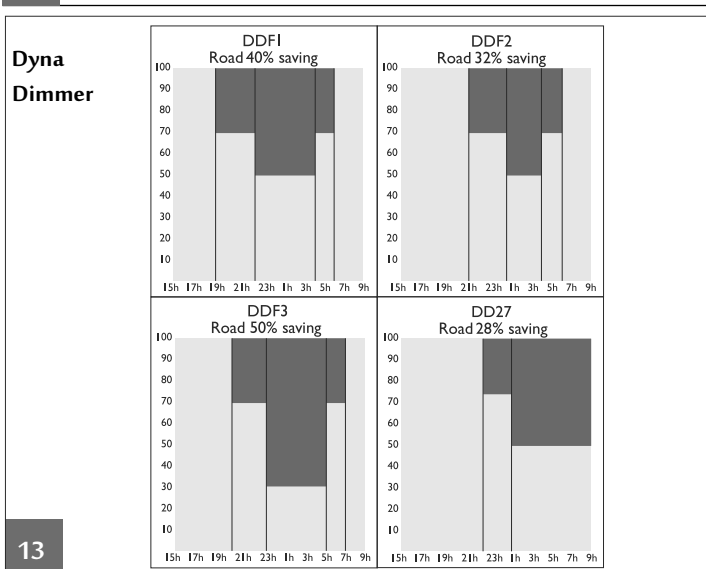
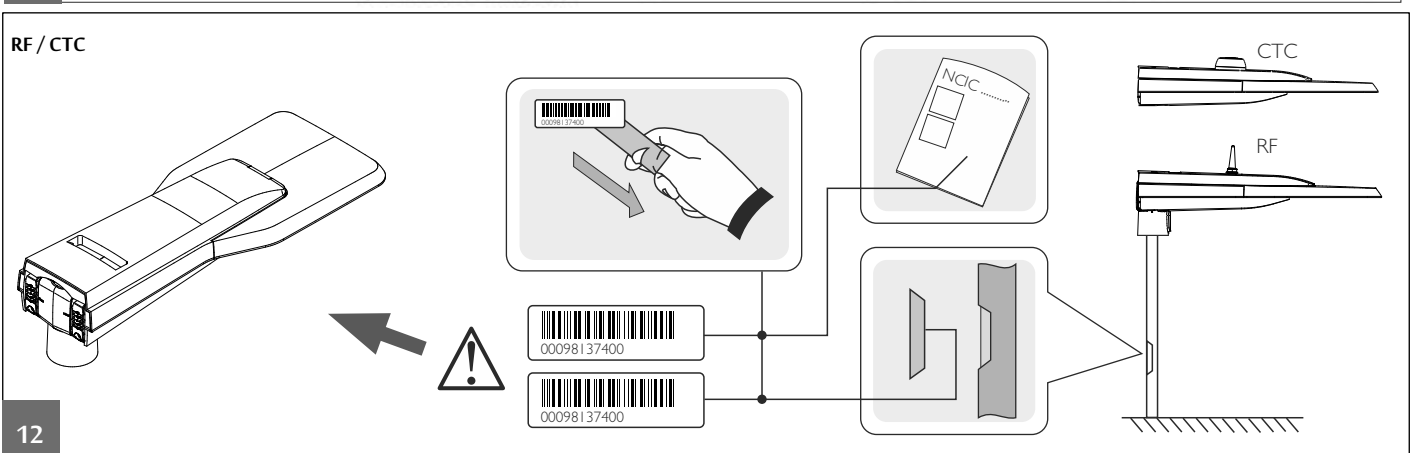
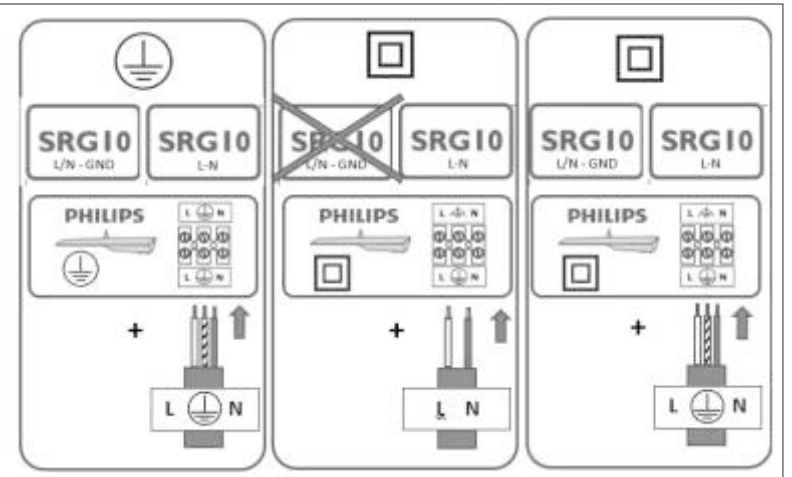
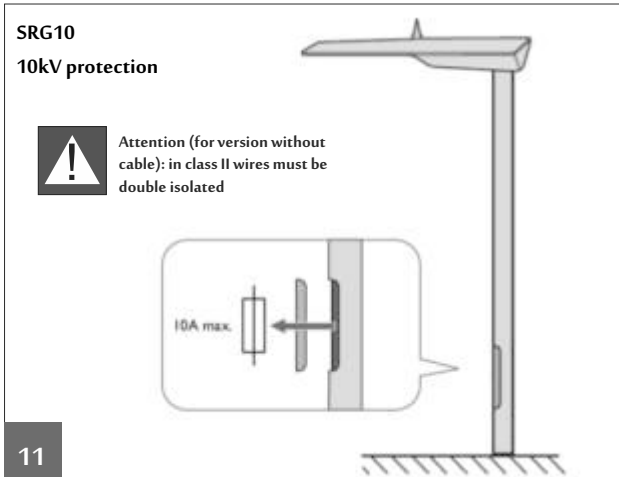
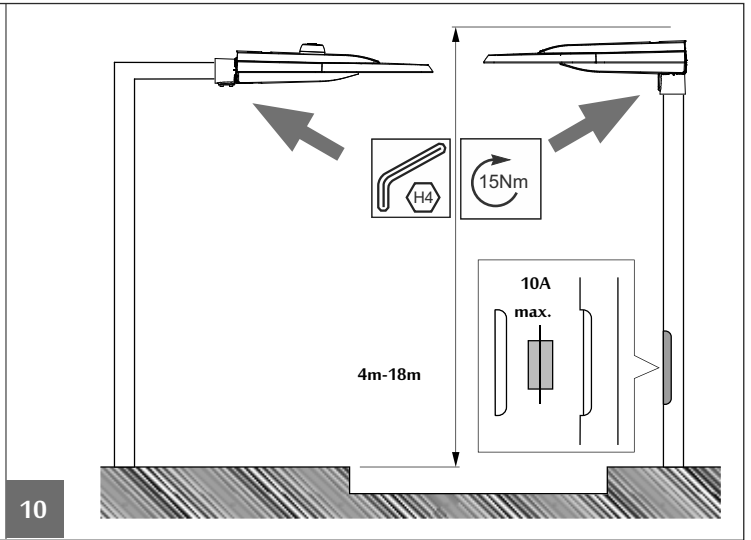
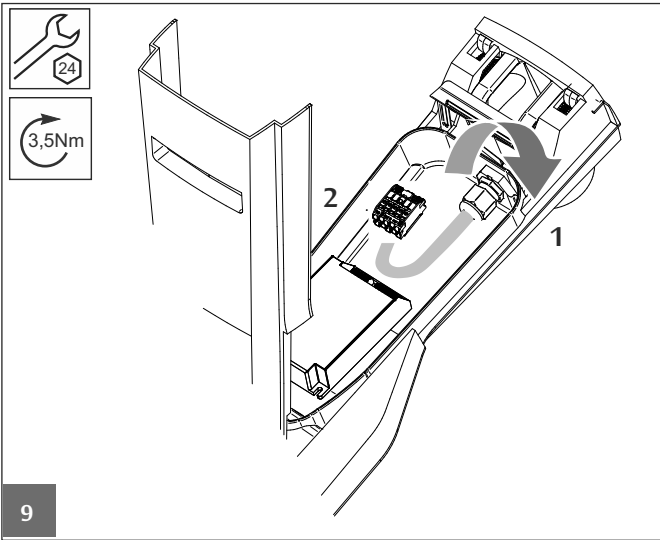
- (N) blue (BU)
- (L) black (BK)
- (DA) grey (GY)
- (DA) brown (BN)

220 V
240 V
Ls



- (S) brown (BN)
- (N) blue (BU)
- (L) black (BK)

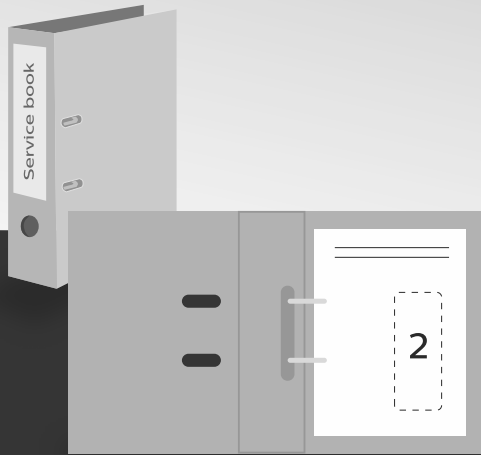
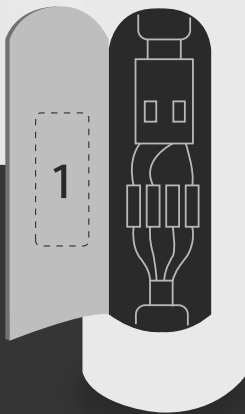
8b



1



2

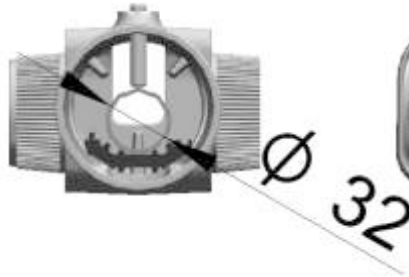


3



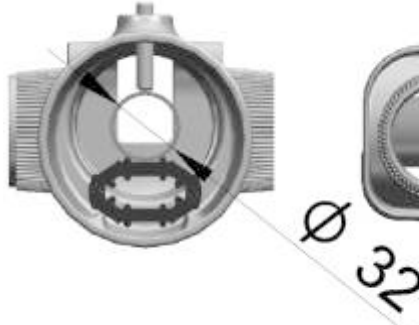
Register me!

Ø 62 → Ø 32



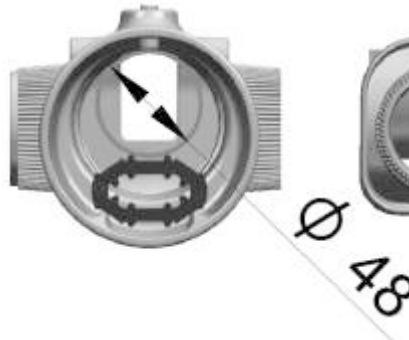
16a

Ø 76 → Ø 32



16b

Ø 76 → Ø 48



16c

© 2019 Signify Holding.

All rights reserved. This document contains information relating to the product portfolio of Signify which information may be subject to change. No representation or warranty as to the accuracy or completeness of the information included herein is given and any liability for any action in reliance thereon is disclaimed. The information presented in this document is not intended as any commercial offer and does not form part of any quotation or contract. Philips and the Philips Shield Emblem are registered trademarks of Koninklijke Philips N.V.. All other trademarks are owned by Signify Holding or their respective owners.

Signify Holding.
The Netherlands



- GB The light source contained in this luminaire shall only be replaced by the manufacturer or his service agent or a similar qualified person.
- SP La fuente de luz contenida en esta luminaria sólo podrá ser sustituido por el fabricante o su agente de servicio o una persona calificada similar.
- PT A fonte de luz contida neste luminária só será substituído pelo fabricante ou o seu agente de serviços ou uma pessoa qualificada similar.
- DE Die in dieser Leuchte enthaltenen Lichtquelle darf nur durch den Hersteller oder seinen Kundendienst oder eine ähnlich qualifizierte Person ersetzt werden.
- FR La source de lumière contenue dans ce luminaire ne doit être remplacé par le fabricant ou son agent de service ou une personne qualifiée.
- IT La sorgente di luce contenuta in questo apparecchio potrà essere sostituita solo dal costruttore, da suo personale addetto all'assistenza tecnica od ugualmente qualificato
- NL De lichtbron in dit armatuur mag alleen worden vervangen door de fabrikant of zijn service agent of een soortgelijk gekwalificeerd persoon.
- DK Lyskilden er indeholdt i dette armatur må kun udskiftes af fabrikanten eller hans serviceværksted eller en tilsvarende kvalificeret person.
- SE Ljuskällan i detta Armaturen får endast bytas av tillverkaren eller dennes serviceombud eller liknande behörig person.
- NO Lyskilden i denne armaturen skal bare skiftes ut av produsenten eller serviceverksted eller en tilsvarende kvalifisert person.
- FI Valonlähde sisältämät valaisimen saa vaihtaa vain valmistaja tai valtuutettu huoltoliike tai muu ammattitaitoinen
- HU A lámpatestben található fényforrást csak a gyártó, a gyártóval szerződött cég vagy megfelelő képesítéssel rendelkező szakember cserélheti ki.
- PL Źródło światła zawarte w oprawie powinno być wymieniane wyłącznie przez producenta, przedstawiciela serwisu lub wykwalifikowaną osobę.
- RO Sursa de lumină în acest corp de iluminat conținute se înlocuiește numai de către producător sau de agentul său de service sau o persoană similară calificată.
- CZ Světelný zdroj obsažený v tomto svítidle se nahrazují pouze výrobcem nebo jeho servisním zástupcem nebo podobně kvalifikovanou osobou.
- HR Izvor svjetla sadržan u ovom svjetiljke će se zamijeniti samo proizvođač ili njegov servisera ili sličnog stručne osobe.
- GR Η πηγή φωτός που περιέχονται σε αυτό το φωτιστικό θα πρέπει να αντικατασταθεί μόνο από τον κατασκευαστή ή τον αντιπρόσωπο συντήρησης αυτού ή έναν παρόμοιο ειδικευμένο άτομο.
- BG Източникът на светлина се съдържа в този осветително тяло се заменя само от производителя или негов сервисен агент или подобно квалифицирано лице.
- RS Извор светlosti sadržana u ovom svjetiljke biће замењен само од стране произвођача или његовог сервисера или слично квалификоване особе.

17



Disconnect before servicing
Mette hors tension avant intervention
Öffnen nur spannungsfrei
Demonteren voor onderhoud

Togliere tensione prima di fare manutenzione
Desconectar antes de manipular
Bryt strömmen före lampbyte

- GB Luminaire has basic insulation between Low Voltage supply and control conductors
- SP La luminaria tiene un aislamiento básico entre la alimentación de baja tensión y los cables de la señal de control
- PT A luminária tem um isolamento básico entre a alimentação de baixa tensão e os cabos de sinal de controlo
- DE Die Leuchte verfügt über eine einfachen Isolation zwischen der Niederspannungsversorgung und den Steuerleitungen.
- FR Le luminaire comporte une isolation de base entre l'alimentation basse tension et les câbles de contrôle.
- IT Il grado di isolamento tra il conduttore di alimentazione ed il conduttore di segnale è básico.
- NL Armatuur heeft een basisisolatie tussen laagspannings-voeding en controle conductoren
- DK Armaturet har enkelisolering mellem lavvoltsforsyningen og styreledningerne.
- SE Armaturen har enkelisolering mellan lågvoltförsörjningen och styrledningarna.
- NO Armaturet har enkelisolering mellom lavvoltsforsyningen og styreledningene
- FI Valaisimessa on peruseristys syöttöjännitteen ja ohjausjohtimien välillä.
- HU A lámpatest ksfeszültségű és szabályozó bemenetei galvanikusan el vannak választva.
- PL Oprawa posiada podstawową izolację pomiędzy modułem zasilania niskonapięciowego i przewodami sterującymi.
- RO Corpul de iluminat dispune de izolație de bază între sistemul de alimentare de joasă și conductorii de control.
- CS V esvítidle je mezi vodiči napájení a řízení základní izolace
- HR Svjetiljka ima osnovnu izolaciju između napajanja i upravljačkih konektora
- GR Το φωτιστικό διαθέτει βασική μόνωση μεταξύ της χαμηλής τάσης τροφοδοσίας και των αγωγών ελέγχου.
- BG Осветителното тяло има основна изолация между захранването ниско напрежение и контролните проводници.
- RS Светильник обладает базовой электроизоляцией между низковольтным блоком питания и управляющими проводниками

18