

Outdoor Dome Fiber Splice Closure

specifications

The Dome Fiber Splice Closure shall house, organize, manage and protect fiber optic cables and splices. The closure shall be hermetically sealed and provide IP68 rated protection when properly used with the provided grommet to seal cable entry and exits. The closure shall be validated to accommodate a maximum of 72 single fusion or 288 ribbon fusion. To be included are the closure dome, universal organizer, and grommet kit.



technical information

Dimensions: 16"L x 10.8"W x 5.7"H (406mm x 254mm x 145mm)

Standards: Telcordia[®] GR-771-CORE Buried, Underground

Ingress Protection: IP68

key features and benefits

Versatile Splicing Capabilities Multiple splice tray designs support mass fusion splicing, single fusion splicing, or a combination of both

Easy splice tray access Tray design allows the removal from the stack to enable multiple splicers to work simultaneously

3 port end plate Provides independent access to each cable port without disrupting surrounding cables

Flexible grommet sealing technology (included) Supports a wide range of flat and round cable profiles

applications

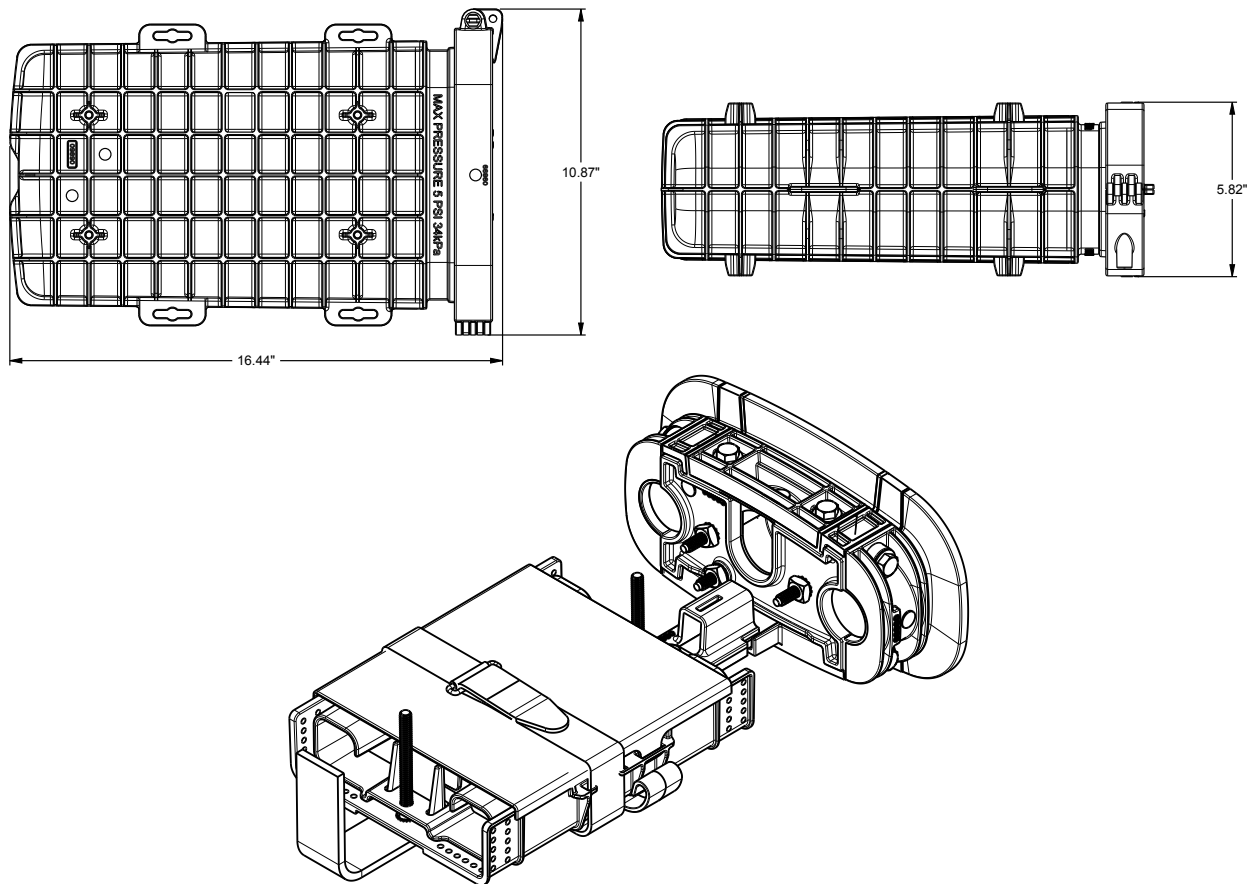
The Dome Fiber Splice Closure protects spliced fibers in a hermetically sealed encasement and can be installed underground or in a man/hand-hole. Grommet kits are included to allow for flexibility in cable size, while sealing entry/exit points to provide an IP68 rated seal. The universal organizer accepts ribbon or single fusion fibers, allowing for versatility in splicing and organization. The cable restraint hardware inside the closure provides proper pull-out strength and restricts the strength member from pistoning inside the closure.

Outdoor Dome Fiber Splice Closure

selection information

Part Number	Description
OFCD1610BR	Dome closure, 16" x 10", with universal organizer, includes grommet kit: (2) 2-hole 0.42"-0.60" and (1) 6-hole 0.125"-0.25" flat drop grommets with plugs.

Accessories	Description	Maximum Tray Capacity
OFC24SST	Single Fiber Splice Tray, 24 Ct.	3
OFC144RST	Ribbon Fiber Splice Tray, 144 Ct.	2



Dimensions are in inches.

WORLDWIDE SUBSIDIARIES AND SALES OFFICES

PANDUIT US/CANADA
Phone: 800.777.3300

PANDUIT EUROPE LTD.
London, UK
Phone: 44.20.8601.7200

PANDUIT SINGAPORE PTE. LTD.
Republic of Singapore
Phone: 65.6305.7575

PANDUIT JAPAN
Tokyo, Japan
Phone: 81.3.6863.6000

PANDUIT LATIN AMERICA
Guadalajara, Mexico
Phone: 52.33.3777.6000

PANDUIT AUSTRALIA PTY. LTD.
Victoria, Australia
Phone: 61.3.9794.9020

For a copy of Panduit product warranties, log on to www.panduit.com/warranty

PANDUIT®

For more information
Visit us at www.panduit.com
Contact Customer Service by email: cs@panduit.com
or by phone: 800.777.3300

© 2019 Panduit Corp.
ALL RIGHTS RESERVED.
Printed in the U.S.A.
ZCSP36--WW-ENG
11/2019