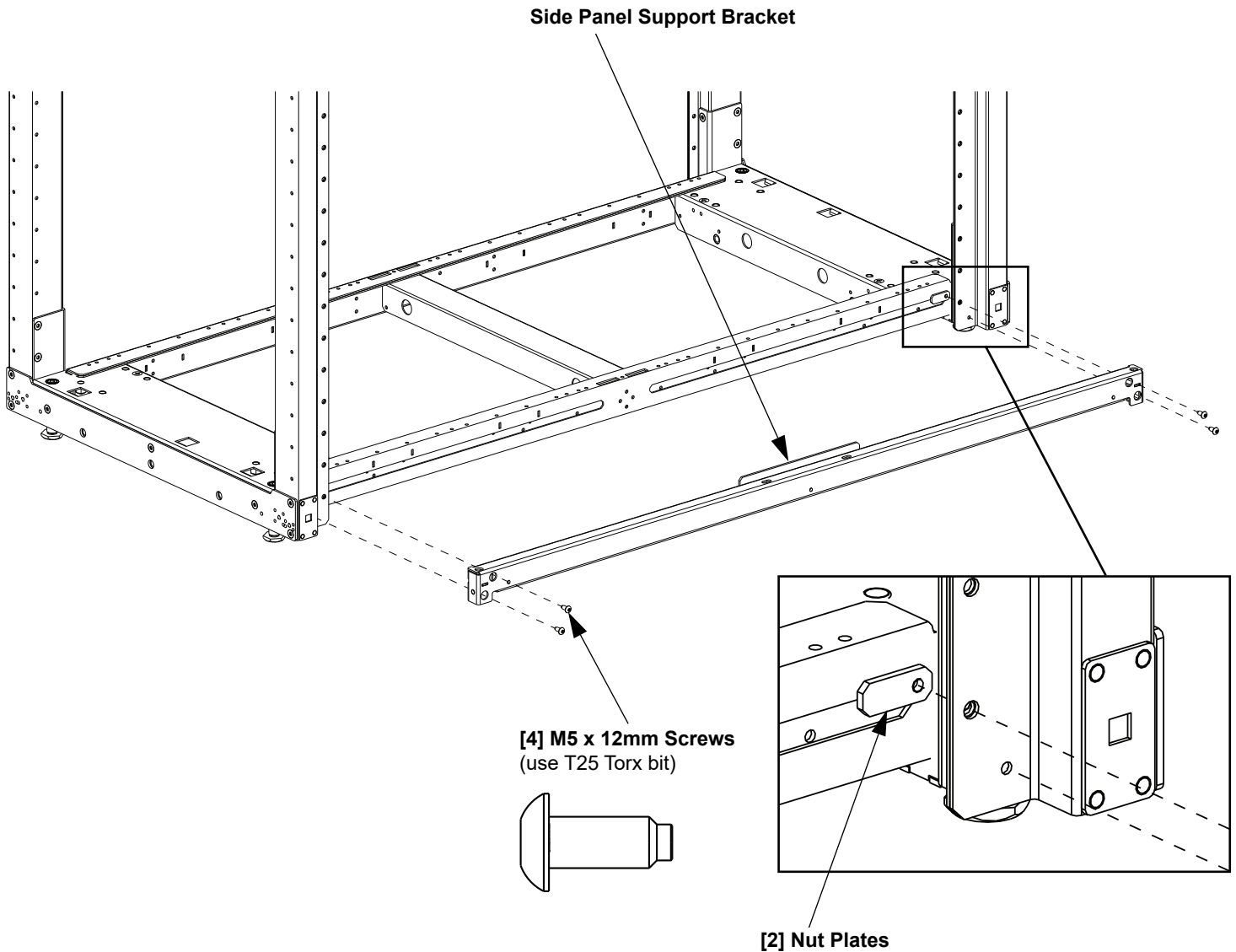


Side Panel Support Bracket Installation

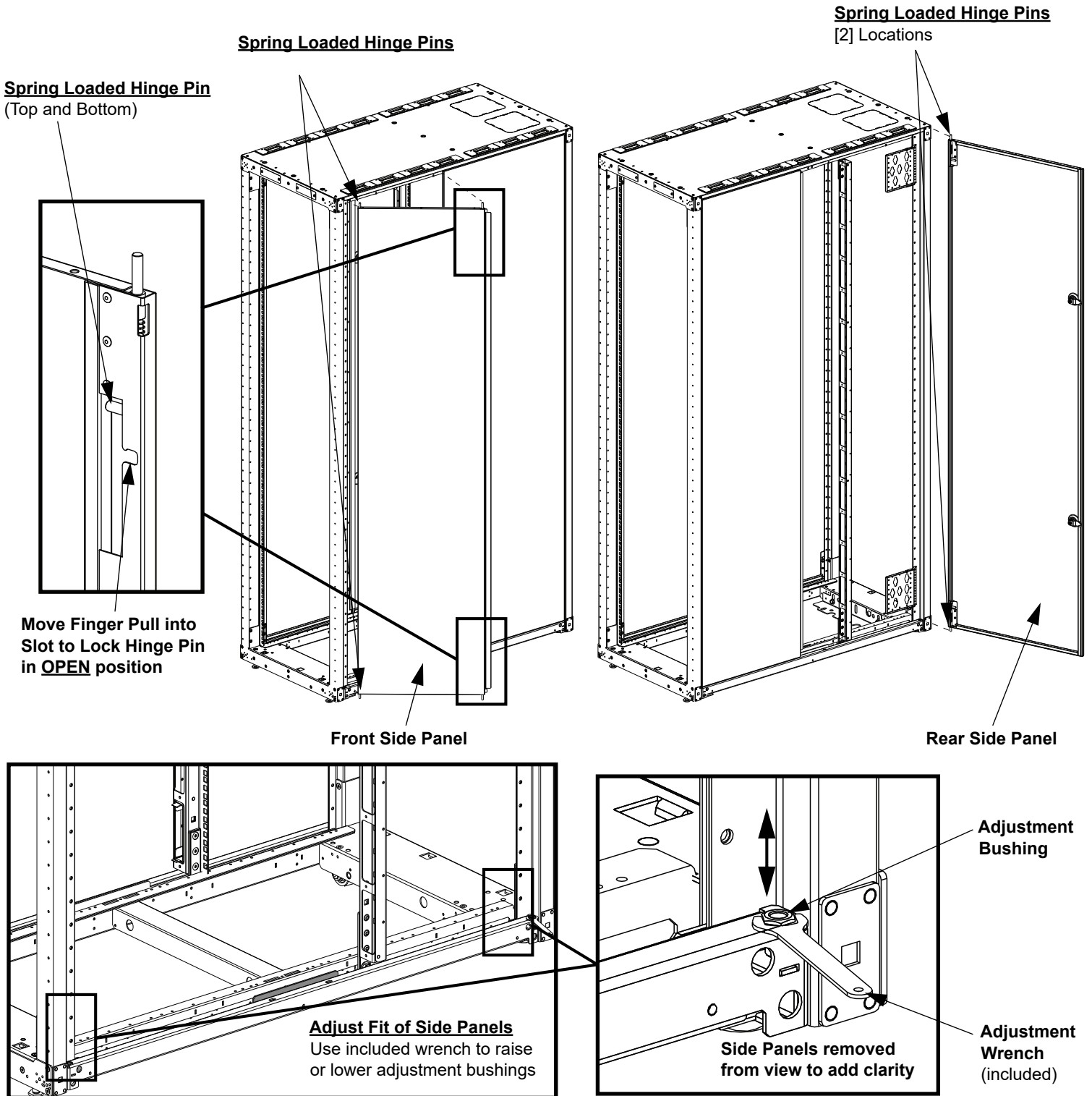
- Secure Side Panel Support Bracket to cabinet frame with [4] M5 Torx Screws
- [4] M5 X 12mm Torx screws secure to [2] Nut Plates positioned on inside of cabinet frame



Side Panels (Removal/Installation and Adjustment - optional)

- Pull and release [4] Spring Loaded Hinge Pins to install Front Side Panel onto cabinet frame
- Pull and release [2] Spring Loaded Hinge Pins to install Rear Side Panel onto cabinet frame
- Close rear side panel and set both locks to LOCKED position

REVERSE STEPS to remove In-Row Side Panels



For Instructions in Local Languages and Technical Support:

www.panduit.com/resources/install_maintain.asp



E-mail: techsupport@panduit.com
Phone: 866-405-6654