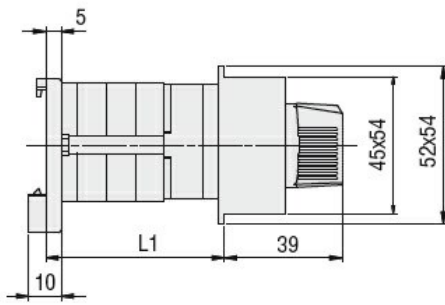


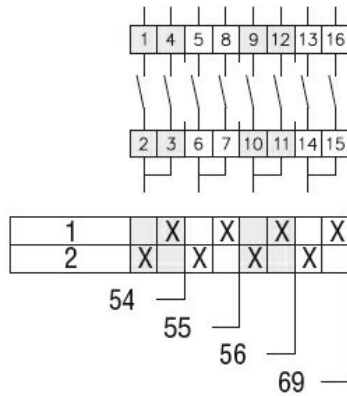
Product designation				Rotary cam switches
Product type designation				GF20
<b>General characteristics</b>				
Switching diagram				56 - Changeover switch without 0 3 poles
N° of elements				3
Mounting form				O48 - Modular service cover for 35mm din rail mounting with black handle
<b>Contact characteristics</b>				
Rated insulation voltage $U_i$	IEC/EN	V	480	
	UL/CSA	V	240	
Rated impulse withstand voltage $U_{imp}$		kV	4	
Conventional free air thermal current $I_{th}$	IEC/EN	A	20	
	UL/CSA	A	15	
Rated operational voltage		V	480	
Rated operational impulse voltage		kV	4	
Maximum fuse size for short-circuit protection $I_n$ (gG)	10kA	A	20	
	15kA	A	20	
	25kA	A	20	
Rated short time current $I_{cw}$		A	250	
	1s	A	250	
Conductivity				10/5 mA/V
Operational current $I_e$ IEC/EN	AC1/AC21A			
		A	20	
AC15	110V	A	10	
	220/230V	A	8	
	380/400V	A	6	
Rated operational power in AC	Three-phase AC-3			
	220/230V	kW	3	
Single-phase AC-3	380/440V	kW	5	
	110V	kW	0.5	
Three-phase AC23A	220/230V	kW	1.5	
	380/440V	kW	2	
Single-phase AC23A	220/230V	kW	4	
	380/440V	kW	7.5	
Rated operational current in DC	110V	kW	0.75	
	220/230V	kW	2	
	380/440V	kW	2.5	

DC21A				
	48V	A		20
	60V	A		20
	110V	A		4
	220V	A		0.7
	440V	A		0.2
DC13				
	24V	A		6
	48V	A		6
	60V	A		3
	110V	A		1
	220V	A		0.4
	440V	A		0.15
Power dissipation			W	0.8
<b>Mechanical features</b>				
Terminals screw				M3
Tightening torque for terminals max			Nm	0.5
Conductor size				
AWG - Rigid cable				
	min	AWG		20
	Max	AWG		12
AWG - Flexible cable				
	min	AWG		20
	Max	AWG		12
Conductor size (IEC) - Flexible cable				
	min	mm <sup>2</sup>		0.5
	Max	mm <sup>2</sup>		2.5
Conductor size (IEC) - Rigid cable				
	min	mm <sup>2</sup>		0.5
	Max	mm <sup>2</sup>		2.5
Mechanical life			cycles	1x10 <sup>6</sup>
<b>UL technical data</b>				
Motor power for direct-on-line control				
for three-phase motor				
	240V	HP		3
for single-phase motor				
	240V	HP		1
<b>Ambient conditions</b>				
Temperature				
Operating temperature				
	min	°C		-25
	max	°C		+55
Storage temperature				
	min	°C		-40
	max	°C		+70
<b>Resistance &amp; Protection</b>				
Frontal IP degree				IP40
Terminals IP degree				IP20
<b>Dimensions</b>				



Series	L1		
	1	2	3
GF20	40	53.5	67

### Wiring diagrams



### Certifications and compliance

#### Compliance

CSA C22.2 n° 14  
IEC/EN/BS 60947-1  
IEC/EN/BS 60947-3  
IEC/EN/BS 60947-5-1  
UL60947-4-1

#### Certificates

cULus  
EAC

### ETIM classification

ETIM 8.0

EC001029 -  
Selector switch,  
complete