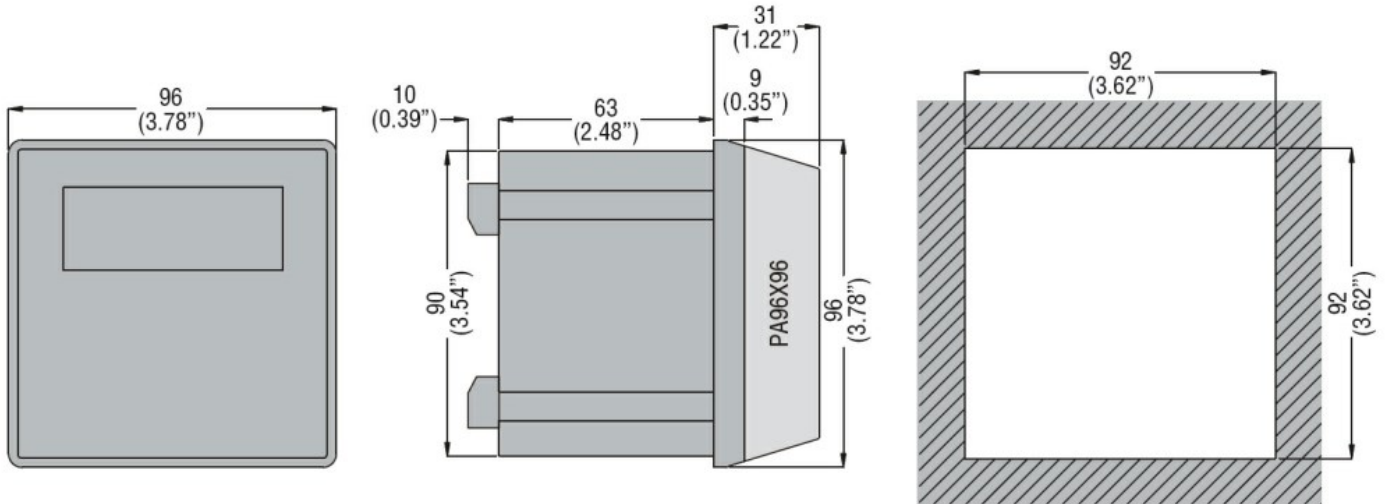




Dimensions



Certifications and compliance

Compliance

IEC/EN 61000-6-1

Certificates

EAC

ETIM classification

ETIM 8.0

EC002498 -
Accessories/spare
parts for low-
voltage switch
technology