



Current  
transformers  
DM3TP0500  
Solid-core

Product designation

Product type designation

Type of CT

**Current inputs**

Primary current $I_{pn}$ (/5)	A	500
Operational frequency	min max	Hz Hz
		50 60
Secondary output current	A	5
Overload withstand $I_{pn}$	%	120
Burden	cl. 0.5s cl. 0.5	VA VA
		3.75 5

**Insulations**

Rated insulation voltage $U_i$ IEC/EN	V	720
IEC rated short-time thermal current $I_{th}$	$I_{th}$ for s	40...60
IEC rated dynamic current $I_{dyn}$	$I_{th}$ for s	2.5
Insulation dry type		Class E

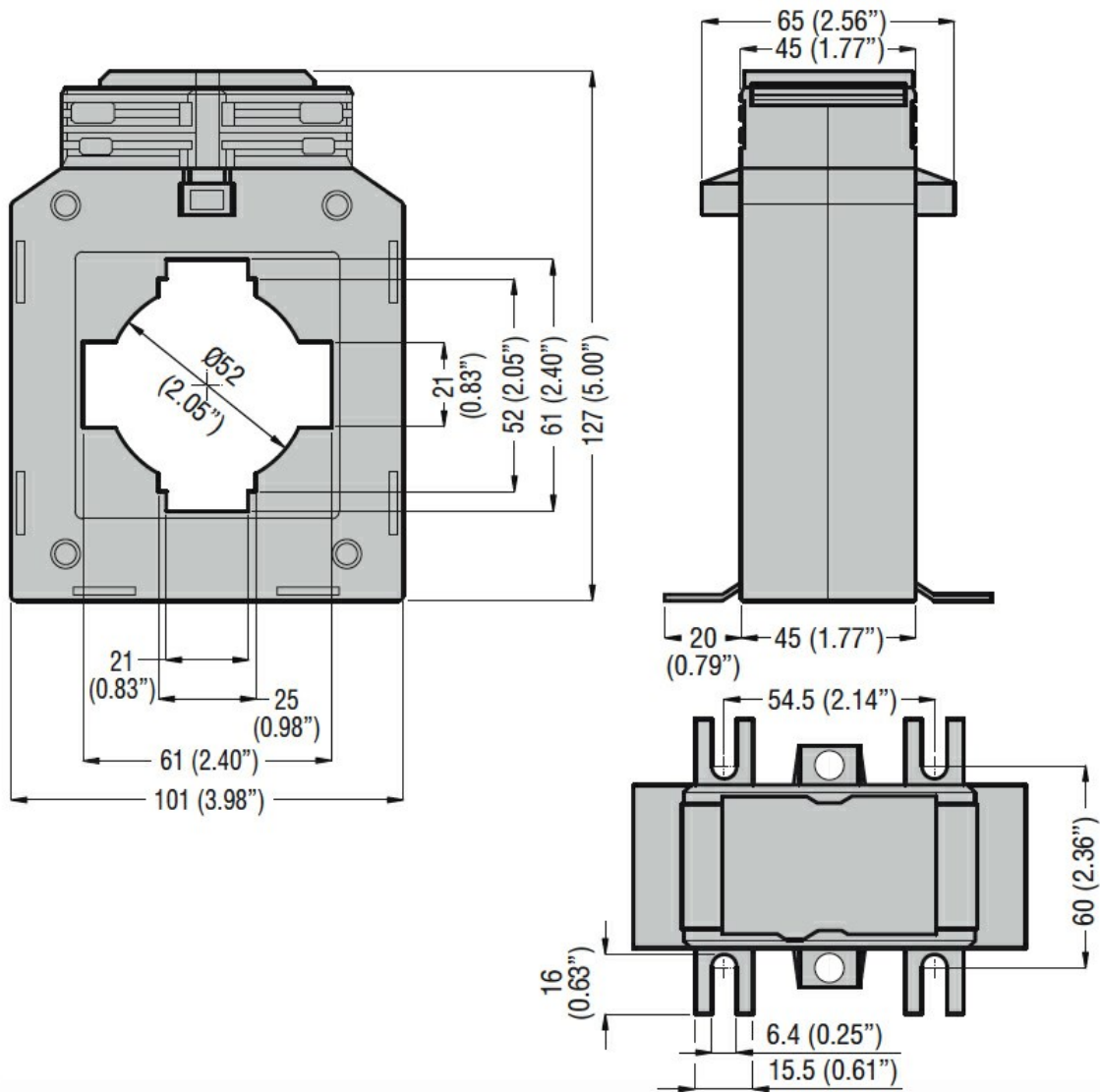
**Mechanical features**

Terminals type		Screw
Fixing		DIN rail or by Screw
Weight	g	700

**Ambient conditions**

Temperature	Operating temperature	min max	°C °C	-25 +50
	Storage temperature	min max	°C °C	-40 +80
Relative humidity			%	90
Protection degree				IP30

**Dimensions**



### Certifications and compliance

#### Certifications

IEC/EN/BS 61869-1

IEC/EN/BS 61869-2

#### Compliance

EAC

### ETIM classification

EC000066 - Power contactor, AC switching

□