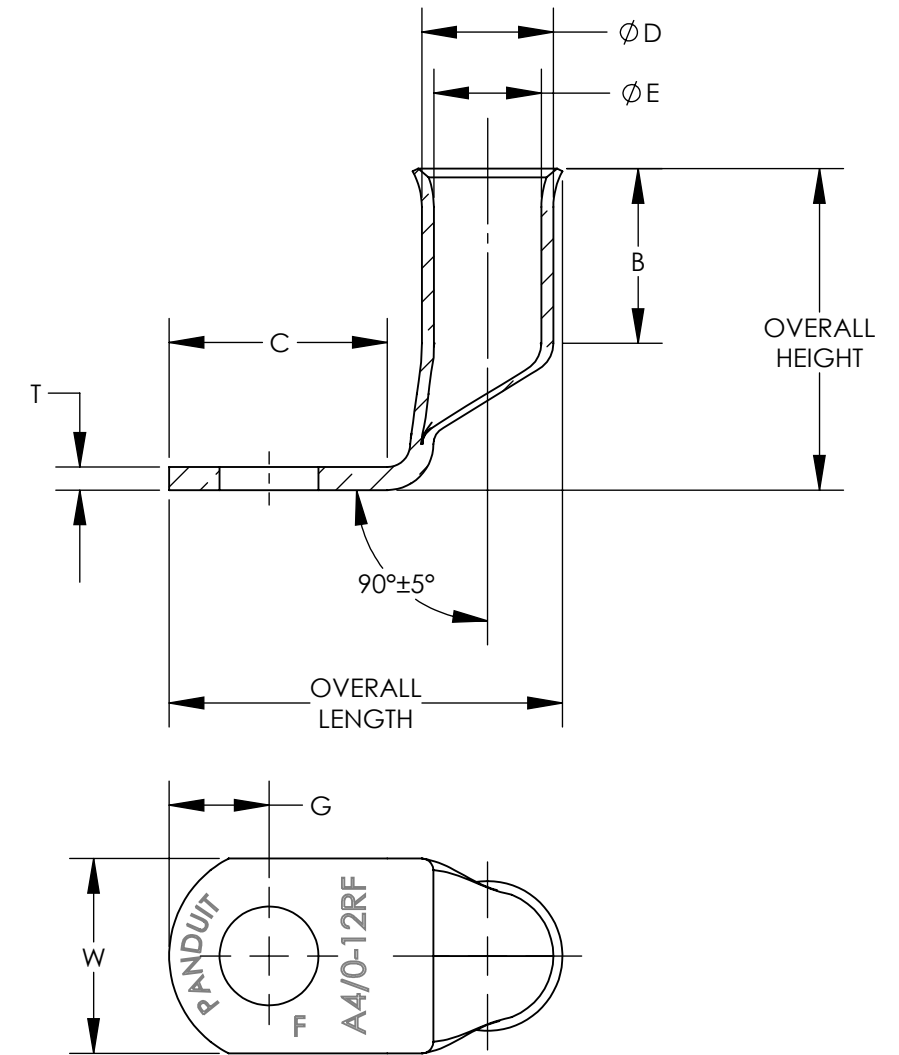


PANDUIT PART #	WIRE	WIRE STRIP LENGTH	STUD HOLE	OVERALL LENGTH REF	OVERALL HEIGHT REF	B ±.08	D ±.01	E ±.01	G ±.1	C ±.1	T ±.03	W ±.03
A2-56RF	2	3/4"	5/16	1.26	1.41	0.74	0.42	0.31	0.36	0.80	0.10	0.66
A2-38RF	2	3/4"	3/8	1.26	1.44	0.74	0.42	0.31	0.36	0.83	0.10	0.66
A1/0-38RF	1/0	13/16"	3/8	1.40	1.57	0.80	0.52	0.39	0.37	0.84	0.12	0.76
A2/0-12RF	2/0	15/16"	1/2	1.58	1.92	0.88	0.58	0.45	0.51	1.10	0.13	0.85
A4/0-56RF	4/0	15/16"	5/16	1.65	2.01	0.91	0.69	0.56	0.52	1.14	0.12	1.02
A4/0-38RF	4/0	15/16"	3/8	1.65	2.01	0.91	0.69	0.56	0.52	1.14	0.12	1.02
A4/0-12RF	4/0	15/16"	1/2	1.65	2.01	0.91	0.69	0.56	0.52	1.14	0.12	1.02



NOTES:

1. MATERIAL: HIGH CONDUCTIVITY SEAMLESS COPPER TUBE
2. PLATING: ELECTRO-TIN OR BARE COPPER
3. WIRE TYPE: STRANDED COPPER; CLASS K

REV	DATE	BY	CHK	APR	DESCRIPTION	ECN
00	10/8/18	RUM	JHNU	RGB	PRELIMINARY RELEASE	081505

TITLE		TUBULAR TERMINALS	
		CUSTOMER DRAWING	
ITEM REVISION NAME	00374EBB-DC_00		
DATASET FILE NAME	00374EBB-DC_00.SLDDRW		
UNLESS OTHERWISE SPECIFIED, DIMENSIONAL TOLERANCES ARE: IN [mm]			
.X ±	.XXX ±		
.XX ±	ANGLES ±		
DRAWN BY		THIRD ANGLE PROJECTION	
RUM	DATE	CHK	SCALE
10/8/18	DAOS	N/A	
DRAWING NUMBER		00374EBB-DC	
SHEET 1 OF 1		SIZE	
		B	