

Part number
CQV 24



Hood, C-TYPE series, with 4 pegs, Pg36 top cable entry, size "104.27", enlarged version



Product description

| | |
|----------------------|-------------------------|
| Product type | Hood |
| Series | C-TYPE |
| Closing type | With 4 pegs |
| Size | Size 104.27 |
| Cable entry | Top cable entry Pg36 |
| Specification | Enlarged version |

Technical data

| | |
|--------------------------------|--------------------|
| IP degree of protection | IP65 / IP66 / IP69 |
|--------------------------------|--------------------|

Further technical details

| | |
|---|----------------|
| Weight | 250,00 g |
| Operating temperature range (min, max) | -40°C...+125°C |

Material properties

| | |
|------------------------------|---------------|
| Colour | RAL 7040 grey |
| RoHs conformity | Compliant |
| China RoHs - EFUP | E |
| REACH SVHC substances | No |

Approvals / Standards

| | |
|-----------------------|---------|
| Certifications | DNV, BV |
| UL | ECBT2 |
| cUL | ECBT8 |

General ordering information

| | |
|-------------------|---------------|
| EAN13 code | 8015747037396 |
|-------------------|---------------|

Packaging Information

| | |
|----------------------------------|----------------------|
| Packaging length | 260,00 mm |
| Packaging height | 120,00 mm |
| Packaging width | 140,00 mm |
| Packaging weight | 1,40 kg |
| Packaging volume | 4,37 dm ³ |
| Packaging description | Carton box |
| Packaging quantity | 5 Pcs |
| Packaging EAN code | 8015747037402 |
| Sub-packaging weight | 0,28 kg |
| Sub-packaging description | Plastic packaging |
| Sub-packaging quantity | 1 Pcs |
| Sub-packaging EAN barcode | 8015747037419 |

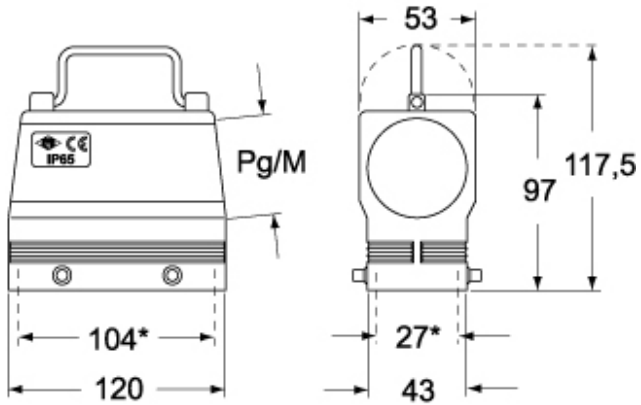
Part number

CQV 24

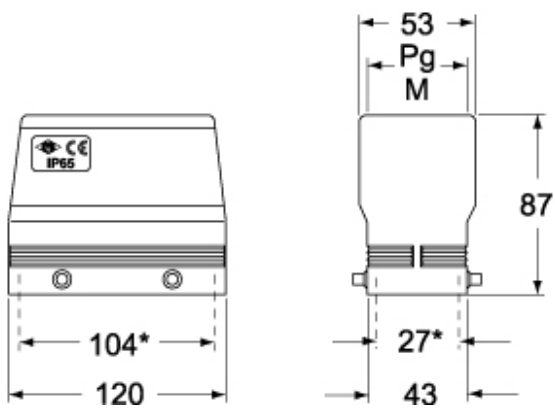


Catalogue drawings

CQO - MQO



CQV - MQV



Notes

Dimensions shown in mm are not binding and may be changed without notice.