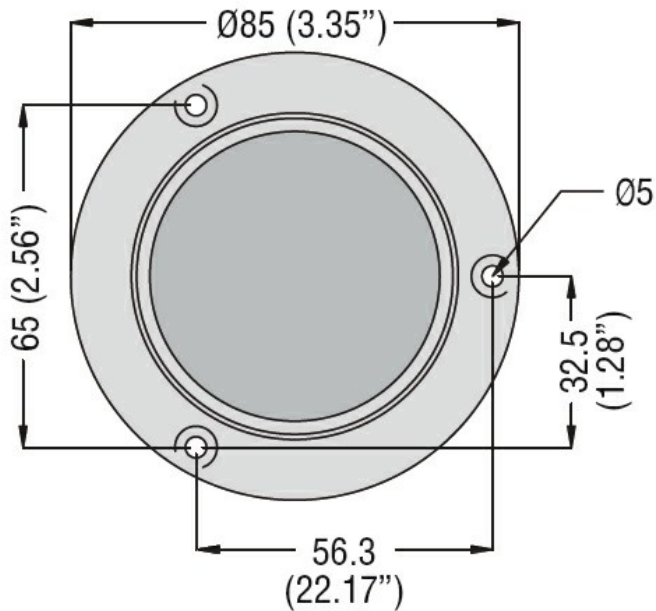
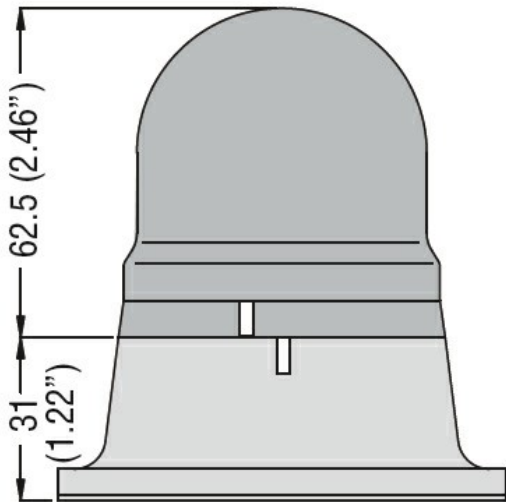




Product designation	Fixing bases for light signal beacons
Product type designation	Ø62mm/2.44"
	8LB6BP03
General characteristics	
Diameter	mm - inch 62 / 2.44
Colour	Black
Material	Plastic
Mechanical features	
Weight	g 40
Dimensions	



Certifications and compliance

Compliance

/

Certificates

/

ETIM classification

ETIM 8.0

EC001154 -
 Stand for signal
 tower without
 tube