



# AOD1-MR25Q2

**SICK**  
Sensor Intelligence.



## Ordering information

Type	Part no.
AOD1-MR25Q2	6054272

Other models and accessories → [www.sick.com/](http://www.sick.com/)

## Detailed technical data

### Technical specifications

<b>Accessory family</b>	Evaluation units
<b>System part</b>	Master
<b>Additional function</b>	Arithmetic calculations (addition, subtraction, absolute subtraction)
<b>Connection type head A</b>	Male connector, M12, 5-pin
<b>Switching output</b>	2 x PNP/NPN, selectable
<b>Multifunctional input (MF)</b>	External teach, zero reset, laser off
<b>Housing material</b>	Polycarbonate
<b>Operating voltage</b>	DC 12 V (-10 %) ... DC 24 V (+10 %)
<b>Power consumption</b>	≤ 2 W <sup>1)</sup>
<b>Note</b>	Not free of paint wetting impairment substances.
<b>Ambient operating temperature</b>	-25 °C ... +50 °C
<b>Enclosure rating</b>	IP50
<b>Weight</b>	120 g
<b>Description</b>	OD Mini evaluation unit, master, 2 x Q, M12 male connector, 5-pin

<sup>1)</sup> Without connected sensor heads.

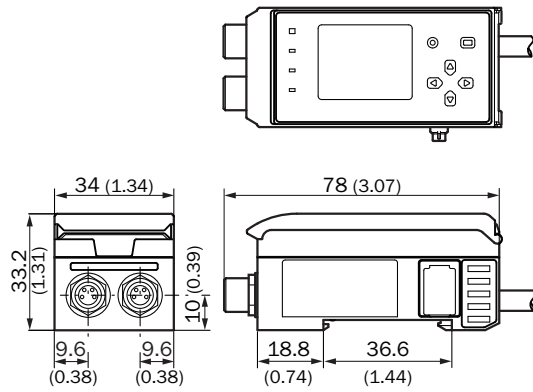
### Classifications

<b>eCl@ss 5.0</b>	27270890
<b>eCl@ss 5.1.4</b>	27270890
<b>eCl@ss 6.0</b>	27270890
<b>eCl@ss 6.2</b>	27270890
<b>eCl@ss 7.0</b>	27270890
<b>eCl@ss 8.0</b>	27270890
<b>eCl@ss 8.1</b>	27270890
<b>eCl@ss 9.0</b>	27270892
<b>eCl@ss 10.0</b>	27270892
<b>eCl@ss 11.0</b>	27270892
<b>eCl@ss 12.0</b>	27270992
<b>ETIM 5.0</b>	EC001825
<b>ETIM 6.0</b>	EC001825
<b>ETIM 7.0</b>	EC001825
<b>ETIM 8.0</b>	EC001825

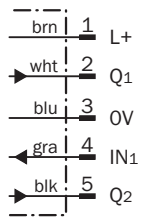
UNSPSC 16.0901

41111613

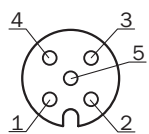
Dimensional drawing (Dimensions in mm (inch))



Anschlussschema



PIN assignment



- ① L+
- ② Q<sub>1</sub>: Digital output PNP/NPN
- ③ 0 V
- ④ IN<sub>1</sub>: Digital input
- ⑤ Q<sub>2</sub>: Digital output PNP/NPN

## SICK AT A GLANCE

SICK is one of the leading manufacturers of intelligent sensors and sensor solutions for industrial applications. A unique range of products and services creates the perfect basis for controlling processes securely and efficiently, protecting individuals from accidents and preventing damage to the environment.

We have extensive experience in a wide range of industries and understand their processes and requirements. With intelligent sensors, we can deliver exactly what our customers need. In application centers in Europe, Asia and North America, system solutions are tested and optimized in accordance with customer specifications. All this makes us a reliable supplier and development partner.

Comprehensive services complete our offering: SICK LifeTime Services provide support throughout the machine life cycle and ensure safety and productivity.

For us, that is “Sensor Intelligence.”

## WORLDWIDE PRESENCE:

Contacts and other locations –[www.sick.com](http://www.sick.com)