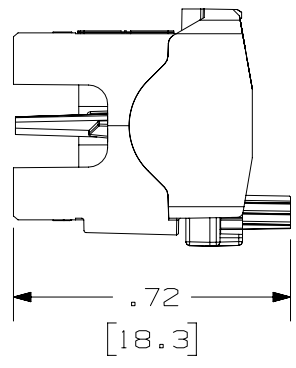
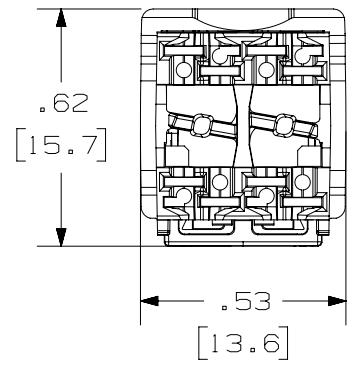
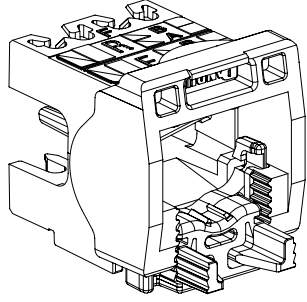


THIS COPY IS PROVIDED ON A RESTRICTED BASIS AND IS NOT TO BE USED IN ANY WAY DETRIMENTAL TO THE INTERESTS OF PANDUIT CORP.

NOTES:

1. VISIT OUR ON-LINE CATALOG AT WWW.PANDUIT.COM FOR A LIST OF CURRENT PARTS APPLICABLE FOR USE WITH THIS PRODUCT.
2. DIMENSIONS IN [] ARE METRIC.
3. ALL MATERIALS AND COMPONENTS USED MEET THE MATERIAL RESTRICTIONS OF RoHS (EUROPEAN DIRECTIVE 2011/65/EU ON THE RESTRICTION OF HAZARDOUS SUBSTANCES) AS PROPOSED BY THE RoHS TECHNICAL ADAPTATION COMMITTEE.
4. WEIGHT: 0.41LB/100 PCS [186g/100 PCS]
5. TERMINATES WITH FIELD TERMINABLE UTP RJ45 PLUGS (PANDUIT P/N'S: FP6X88MTG & FPUD6X88MTG)
6. WIRE CAP ASSEMBLY TERMINATES CABLE STRAIGHT (HORIZONTAL).
7. ABLE TO BE USED WITH CATEGORY 5E, 6, AND 6A APPLICATIONS.
8. TERMINATES 22-26AWG SOLID OR STRANDED UTP CABLE
9. MATERIAL: POLYCARBONATE W/ FLAME RATING OF UL94V-0
10. WIRE CAP LABEL IS CODED FOR T568A AND T568B WIRING SCHEMES.



PART NUMBER		CPCAPBL-X				
TITLE						
STRAIGHT (HORIZONTAL) WIRE CAP ASSEMBLY FOR FIELD TERMINABLE UTP RJ45 PLUG ASSEMBLY						
CUSTOMER DRAWING						
ITEM REVISION NAME		00068SAE/11				
DATASET FILE NAME		00068SAE_DC/11A				
		THIRD ANGLE PROJECTION				
MATERIAL		SEE NOTE 9				
DRAWING NUMBER			00068SAE-DC			
11A	1-5-17	BJN	DCS	TMBA	RELEASED TO PRODUCTION	00068SAE-DC
REV	DATE	BY	CHK	APR	DESCRIPTION	ECN



A-SIZE CUSTOMER