

Part number

# MKH V20



Hood, CKH series, with 2 pegs, M20 top cable entry, size "21.21"

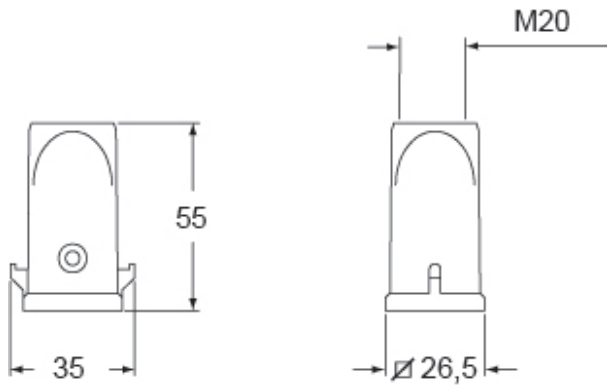
Product description		Material properties	
<b>Product type</b>	Hood	<b>Main material</b>	Polyamide (PA)
<b>Series</b>	CKH	<b>Colour</b>	RAL 7012 grey
<b>Closing type</b>	With 2 pegs	<b>General ordering information</b>	
<b>Size</b>	Size "21.21"	<b>EAN13 code</b>	8015747271974
<b>Cable entry</b>	Top cable entry M20	<b>eCl@ss 8.1</b>	27440202
<b>Technical data</b>		<b>ETIM 7.0</b>	EC000437
<b>IP degree of protection</b>	IP44 (IP66/IP67/IP69 with CKRH 65/CKRH 65 D kits)	<b>Packaging Information</b>	
<b>Further technical details</b>		<b>Sub-packaging description</b>	Plastic bag
<b>Weight</b>	9,50 g	<b>Sub-packaging quantity</b>	1 Pcs
<b>Operating temperature range (min, max)</b>	-40°C...+70°C	<b>Sub-packaging EAN barcode</b>	8015747280518

Part number

# MKH V20



## Catalogue drawings



## Notes

Dimensions shown in mm are not binding and may be changed without notice.

---