

Part number

TM 1125P1632



Cover, TM series, with 2 holes for inclined flush-mounting socket outlets with flange 64 x 82 mm

Product description

| | |
|----------------------|--|
| Product type | Cover |
| Series | TM |
| Size | Cover centre distance 114 x 255 mm |
| Specification | With 2 holes for inclined flush-mounting socket outlets with flange 64 x 82 mm |

Technical data

| | |
|--|-----------------|
| IP degree of protection | IP66 / IP67 |
| Further technical details | |
| Weight | 300,00 g |
| Operating temperature range (min, max) | -25°C ... +40°C |
| IK rating (impact degree of protection) | IK10 |

Material properties

| | |
|---------------|---------------|
| Colour | RAL 7012 grey |
|---------------|---------------|

General ordering information

| | |
|-------------------|---------------|
| EAN13 code | 8015747195096 |
|-------------------|---------------|

Packaging Information

| | |
|----------------------------------|----------------------|
| Packaging length | 160,00 mm |
| Packaging height | 130,00 mm |
| Packaging width | 270,00 mm |
| Packaging weight | 1,50 kg |
| Packaging volume | 5,62 dm ³ |
| Packaging description | Carton box |
| Packaging quantity | 5 Pcs |
| Packaging EAN code | 8015747195263 |
| Sub-packaging weight | 0,30 kg |
| Sub-packaging description | Plastic packaging |
| Sub-packaging quantity | 1 Pcs |
| Sub-packaging EAN barcode | 8015747195270 |

Part number

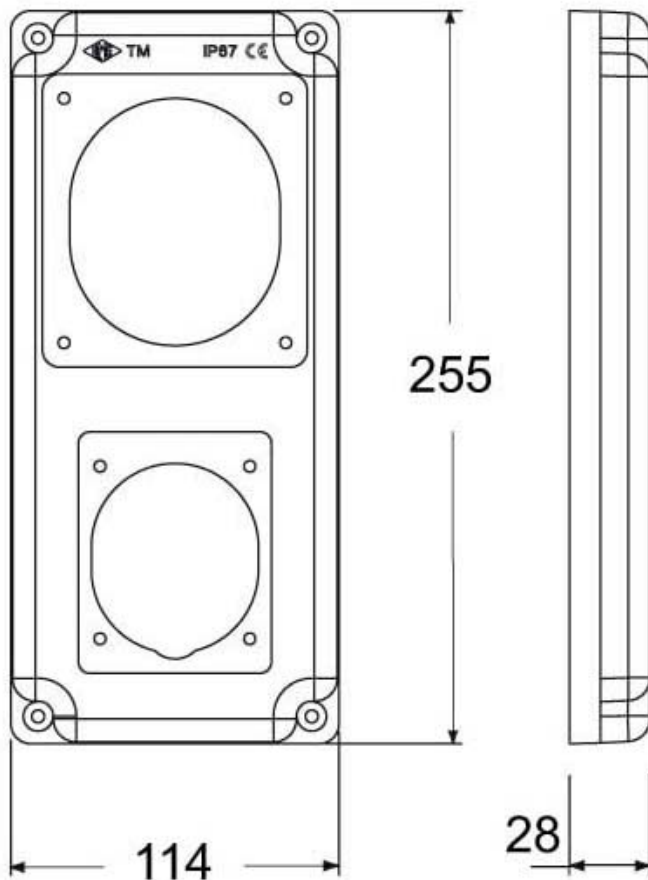
TM 1125P1632



Catalogue drawings

dimensioni in mm

TM 1125P1632



Notes

- Compliant with international standard IEC 60670 (Italian standard CEI 23-48)
- Covers in insulating self-extinguishing thermoplastic material, RAL 7035 grey
- The covers mounted on the boxes guarantee the compliance with IP67 degree of protection requirements (EN 60529) using PEW socket-outlets
- Captive cover fixing screws in stainless steel
- Including socket-outlet fixing screws in stainless steel
- For TM boxes: single art. TM 1125 CS, double art. TM 2344 T2,

triple art. TM 3444 T3

Dimensions shown in mm are not binding and may be changed without notice.
