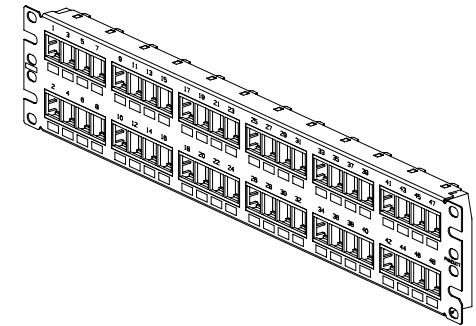
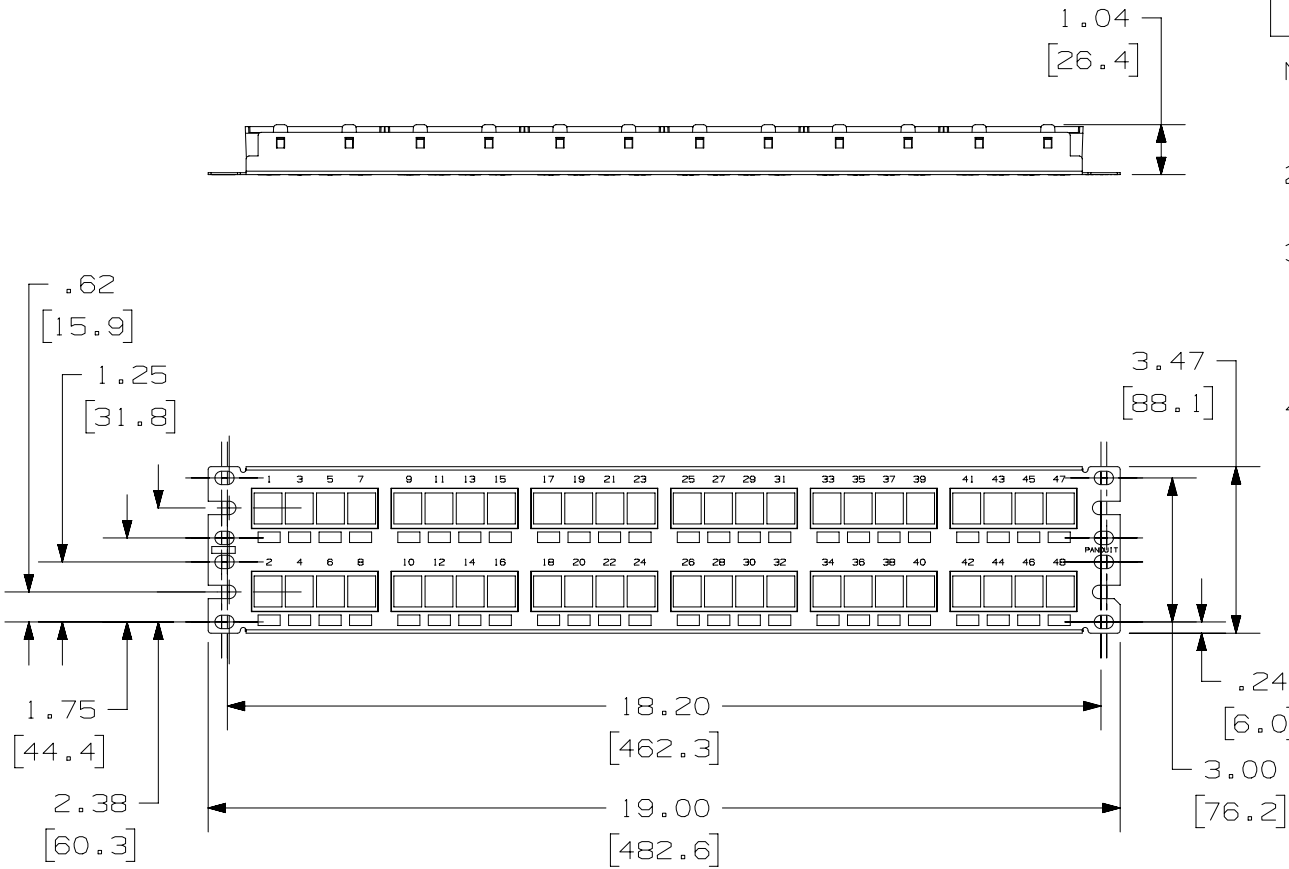


THIS COPY IS PROVIDED ON A RESTRICTED BASIS AND IS NOT TO BE USED IN ANY WAY DETRIMENTAL TO THE INTERESTS OF PANDUIT CORP.

PANDUIT P/N	WEIGHT
NKPP48FMVNSBL	11.3 LB/10 PCS (5128.7 g/10 PCS)

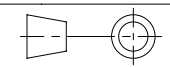
NOTES:

- SEE CURRENT CATALOG FOR VARIOUS APPLICATIONS WITH THIS WIRING SYSTEM.
- THE FLUSH MOUNT PATCH PANEL IS DESIGNED FOR MOUNTING TO 19" UNIVERSAL RACKS.
- PACKAGE CONTENTS:
(1) -48 PORT STAMPING
(6) -8 POSITION FACEPLATE (ASSEMBLED TO PANEL)
(1) -SCREW KIT (INCLUDES FOUR #12-24 SCREWS)
- DIMENSIONS IN PARENTHESIS ARE IN METRIC.



PART NUMBER		NKPP48FMVNSBL	
TITLE		NETKEY 48 PORT FLUSH MOUNT MODULAR PATCH PANEL WITH VERTICAL NUMBERING SEQUENCE	
ITEM REVISION NAME		CUSTOMER DRAWING	
DATASET FILE NAME		03198NNA/01	
MATERIAL		STAMPING: 20 GAUGE C.R.S. FACEPLATE: ABS	
DRAWING NUMBER		03198NNA-DC	
DRAWN BY		MDJR	
DATE		2-15-23	
CHK		JCO	
SCALE		NONE	
SHEET 1 OF 1		A	

REV	DATE	BY	CHK	APR	DESCRIPTION	ECN
01A	03-29-23	MDJR	JCO	REFR	UPDATED DRAWING VIEWS TO SHOW NUMBERING	03198NNA-DC
00A	02-15-23	MDJR	JCO	REFR	RELEASED TO PRODUCTION	03198NNA-DC



THIRD ANGLE PROJECTION

A-SIZE CUSTOMER

2

1

2

1