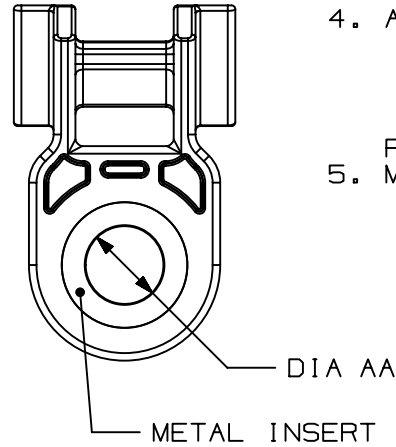
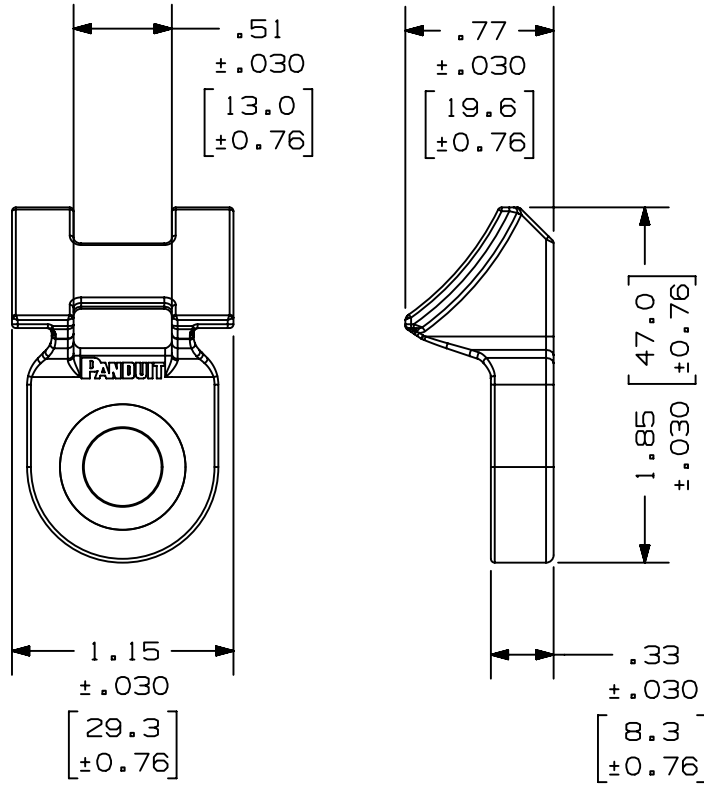
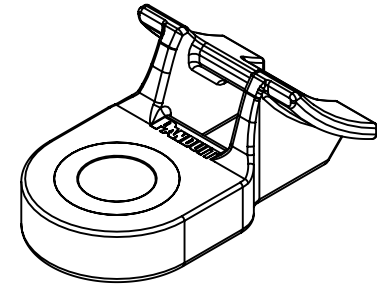


THIS COPY IS PROVIDED ON A RESTRICTED BASIS AND IS NOT TO BE USED IN ANY WAY DETRIMENTAL TO THE INTERESTS OF PANDUIT CORP.



NOTES:

1. SEE WWW.PANDUIT.COM FOR PART NUMBER SUFFIX DESIGNATION CONCERNING PACKAGE SIZE, PART MATERIAL AND PART COLOR.
2. DIMENSIONS IN [] ARE METRIC.
3. THE METAL INSERTS ARE ZINC-PLATED, BASED ON ASTM B633-15 STANDARD.
4. ALL MATERIALS AND COMPONENTS USED MEET THE MATERIAL RESTRICTIONS OF RoHS (EUROPEAN DIRECTIVE 2011/65/EU ON THE RESTRICTION OF HAZARDOUS SUBSTANCES) AS PROPOSED BY THE RoHS TECHNICAL ADAPTATION COMMITTEE.
5. MAX. BOLT TORQUE SPEC. IS 114 lbf-ft.



ITEM	RECOMMENDED BOLT SIZE	P/N	DIA AA ±.030 ±[0.76]	WEIGHT lbs(g)/100pcs	FOR USE WITH THE FOLLOWING PANDUIT CABLE TIES
1	5/16'' MB	TMEH4S8-D350	0.33 (8.3)	4.15 lbs (1882 g)	MINIATURE; INTERMEDIATE;
2	3/8'' M10	TMEH4S10-D350	0.40 (10.3)	3.73 lbs (1692 g)	STANDARD; LIGHT HEAVY;
3	1/2'' M12	TMEH4S13-D350	0.51 (12.9)	3.03 lbs (1377 g)	HEAVY; EXTRA HEAVY

PART NUMBER		HD HIGH TORQUE MOUNT FAMILY		
TITLE		HD HIGH TORQUE MOUNT FAMILY		
CUSTOMER DRAWING				
ITEM REVISION NAME		00149EAA/01		
DATASET FILE NAME		00149EAA_DC/01		
		THIRD ANGLE PROJECTION		
MATERIAL		POLYAMIDE 6,6 IMPACT MODIFIED, HEAT STABILIZED, UV RESISTANT, BLACK		
DRAWING NUMBER		00149EAA_DC		
DRAWN BY	DATE	CHK	SCALE	SIZE
CHN-MZ SG	FEB/14/19	DE	NONE	A
REV	DATE	BY	CHK	APR
01	07.26.19	BDK	DAEI	TGS
00A	FEB/14/19	CHN-M ZSG	DE	PM
DESCRIPTION		RELEASED TO PRODUCTION		
ECN		049851		
DESCRIPTION		INITIAL RELEASE		
DESCRIPTION		SHEET 1 OF 1		

A-SIZE CUSTOMER