

UK
Cooper Security Ltd
Security House
Vantage Point Business Village
Mitcheldean
Gloucestershire
GL17 0SZ

NL
Cooper Security Ltd
Terheydenseweg 465
4825 BK Breda
NEDERLAND
Tel: +31 (0)76 5729944
Fax: +31 (0)76 5729949
www.cooper-security.nl

Fr
Cooper Security
9-11 rue des Raverdis
92230 GENNEVILLIERS - France
Tél. : 01.41.11.32.90
Fax : 01.41.11.32.91

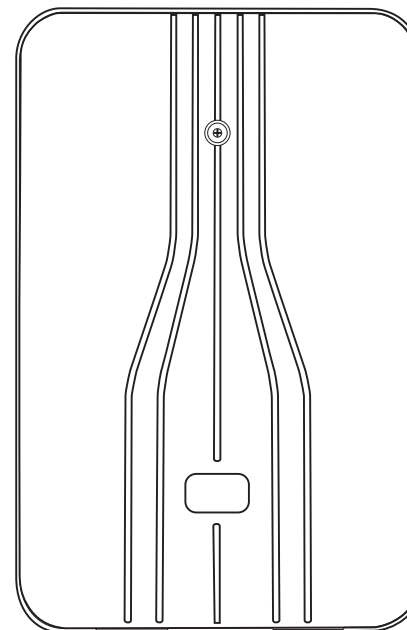
It
Cooper Security Limited
Via Meucci 10
20094 Corsico -MI-
ITALIA
TEL: +39 (0)2 45 86 73 96
FAX: +39 (0)2 45 01 509

Pt
Pretrónica-Precisão Electrónica, Lda.
Parque Industrial Serra das Minas
Av. Irene Lisboa, Lote 19, Armazém C, Piso 2
2635-001 Rio de Mouro
Portugal
Tel: +351 219 198 500
Fax: +351 219 198 501

Product Support (UK) Tel: +44 (0)1594 541979
Available between:
08:15-12:30 and 13:00-17:00 Monday to Friday,
Product Support Fax: +44 (0)1594 545401
Part No. 12019973
www.coopersecurity.co.uk

Manufacturer	Cooper Security Ltd
Product code	EXP-R10, EXP-R30
Standards	EN50131
Security Grade	2
Environmental	Class II.
Certification body	ANPI
Operating temperature	-10 to +55°C.
Humidity	0 to 93% RH, non-condensing.
Dimensions:	230 x 144 x 44, mm HxWxD
Weight:	0.39 kg
Case material	ABS LG-AF342
Current Consumption	40mA

EXP-R10, EXP-R30



Installatie handleiding Guide d'installation Manuale di Installazione Guia de Instalação Installation Guide

© Cooper Security Limited 2010

Every effort has been made to ensure that the contents of this leaflet are correct. However, neither the authors nor Cooper Security Limited accept any liability for loss or damage caused or alleged to be caused directly or indirectly by this leaflet. The contents of this leaflet are subject to change without notice.

Alles is in het werk gesteld om er voor te zorgen dat de inhoud van deze handleiding correct is, fouten en weglatingen uitgezonderd. Echter, noch de samenstellers, noch Cooper Security zullen enige aansprakelijkheid accepteren voor verlies of beschadiging, direct of indirect mogelijk door deze handleiding ontstaan. De inhoud van deze handleiding kan zonder voorafgaande aankondiging aan de laatste stand van zaken worden aangepast.

La plus grande attention a été apportée à l'exactitude des informations contenues dans ce document. Les auteurs de cette notice ainsi que la société Cooper Security Limited déclinent toute responsabilité en cas de pertes ou de dommages provoqués ou supposés avoir été provoqués directement ou indirectement par ce guide. Par ailleurs, le contenu de ce document est susceptible d'être modifié sans avis préalable.

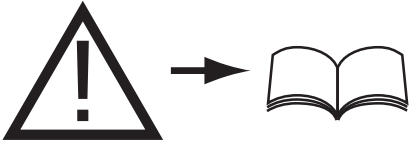
Ogni sforzo è stato compiuto per garantire la correttezza dei contenuti del presente testo. Tuttavia, gli autori e la Cooper Security Limited non accettano responsabilità per perdite o danni causati o presumibilmente causati dal presente testo direttamente o indirettamente. Il contenuto del testo è soggetto a modifiche senza preavviso.

Envidaram-se todos os esforços para assegurar que o conteúdo deste folheto esteja correcto. No entanto, os autores ou a Cooper Security Limited declinam qualquer responsabilidade por perdas ou danos causados ou alegadamente causados directa ou indirectamente por este folheto. O conteúdo deste folheto está sujeito a alteração sem aviso prévio.

Printed and published in the U.K.



COOPER Security



+ LS -
>16 Ohm
e.g. 09040

