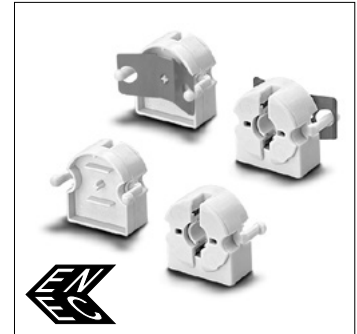
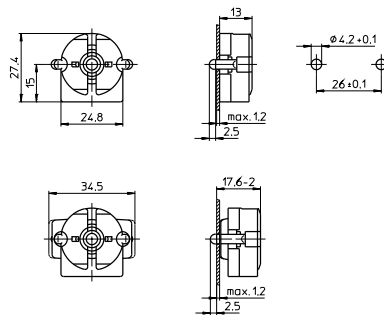


G13 Built-in Lampholders

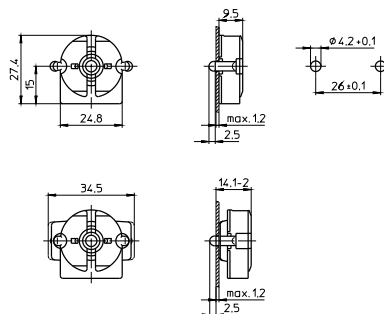
For fluorescent lamps T8 (T26), T12 (T38)

Lampholders with integrated starter holder are equipped with big rotor and have push-in twin terminals for the lamp circuit and push-in terminals for the the starter circuit. Pin support for reliable contact (except for type 485)

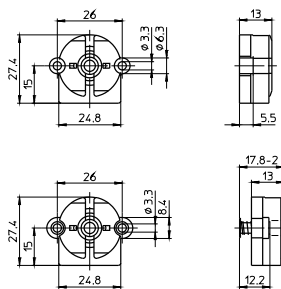
G13 built-in lampholders for lamps T8 and T12
 Lampholder thickness: 13 mm
 Casing: PC, white, frontplate/rotor: PBT GF, white
 T130, nominal rating: 2/500
 Push-in twin terminals: 0.5–1 mm²
 Rear split pins for wall thickness up to 1.2 mm
 Weight: 5/5.5 g, packaging unit: 1000 pcs.
 Type: 47105/47106
Ref. No.: 101685
Ref. No.: 101690 with spring adjustment



G13 built-in lampholders for lamps T8 and T12
 Lampholder thickness: 9.5 mm
 Casing: PC, white, frontplate/rotor: PBT GF, white
 T130, nominal rating: 2/500
 Push-in twin terminals: 0.5–1 mm²
 Rear split pins for wall thickness up to 1.2 mm
 Weight: 5/5.5 g, packaging unit: 1000 pcs.
 Type: 47505/47506
Ref. No.: 101749
Ref. No.: 101753 with spring adjustment



G13 built-in lampholders for lamps T8 and T12
 Lampholder thickness: 13 mm
 Casing: PC, white, frontplate/rotor: PBT GF, white
 T130, nominal rating: 2/500
 Push-in twin terminals: 0.5–1 mm²
 Fixing holes for screws M3
 Weight: 5/6 g, packaging unit: 1000 pcs.
 Type: 47100/47102
Ref. No.: 101674
Ref. No.: 101681 with spring adjustment



G13 built-in lampholders for lamps T8 and T12
 Lampholder thickness: 9.5 mm
 Casing: PC, white, frontplate/rotor: PBT GF, white
 T130, nominal rating: 2/500
 Push-in twin terminals: 0.5–1 mm²
 Fixing holes for screws M3
 Weight: 5/5.5 g, packaging unit: 1000 pcs.
 Type: 47500/47502
Ref. No.: 101738
Ref. No.: 101740 with spring adjustment

