



Product designation				Power contactor
Product type designation				B1600
Contact characteristics				
Number of poles	Nr.			4
Rated insulation voltage U _i IEC/EN	V			690
Rated impulse withstand voltage U _{imp}	kV			8
Operational frequency	min	Hz	25	
	max	Hz	400	
IEC Conventional free air thermal current I _{th}	A			1600
Operational current I _e	AC-1 (≤40°C)	A	1600	
	AC-1 (≤55°C)	A	1360	
	AC-1 (≤70°C)	A	1120	
Rated operational power AC-1 (T≤40°C)	230V	kW	550	
	400V	kW	950	
	500V	kW	1200	
	690V	kW	1650	
Short-time allowable current for 10s (IEC/EN60947-1)	A			8300
Protection fuse	gG (IEC)	A	1600	
		A	6300	
Making capacity (RMS value)		A	6300	
Breaking capacity at voltage	440V	A	6300	
	500V	A	5600	
	690V	A	5000	
Resistance per pole (average value)	mΩ			7
Power dissipation per pole (average value)	I _{th}	W	180	
Tightening torque for terminals	min	Nm	35	
	max	Nm	35	
	min	lbin	25.8	
	max	lbin	25.8	
Max number of wires simultaneously connectable	Nr.			2
Power terminal protection according to IEC/EN 60529				IP00
Mechanical features				
Operating position	normal			Vertical plan
	allowable			±30°
Fixing				Screw
Weight	g			5890
Auxiliary contact characteristics				
Thermal current I _{th}	A			16

IEC/EN 60947-5-1 designation	A600 - P600		
Operating current AC15	230V	A	3
	400V	A	1.9
	500V	A	1.4
Operating current DC12	110V	A	5.7
	Operating current DC13		
Operating current DC13	24V	A	5.7
	48V	A	2.9
	60V	A	2.3
	125V	A	0.6
	220V	A	0.2
	600V	A	1.2

Operations

Mechanical life cycles 5000000

Electrical life cycles 700000

Safety related data

Performance level B10d according to EN/ISO 13489-1

rated load	cycles	700000
mechanical load	cycles	5000000

Mirror contacts according to IEC/EN 60947-4-1 yes

EMC compatibility yes

AC coil operating

Rated AC voltage at 50/60Hz, 60Hz

min	V	110
max	V	125

AC operating voltage

of 50/60Hz coil powered at 50Hz
pick-up

min	%Us	80
max	%Us	110

drop-out

min	%Us	20
max	%Us	60

of 50/60Hz coil powered at 60Hz
pick-up

min	%Us	80
max	%Us	110

drop-out

min	%Us	20
max	%Us	60

of 60Hz coil powered at 60Hz
pick-up

min	%Us	80
max	%Us	110

drop-out

min	%Us	20
max	%Us	60

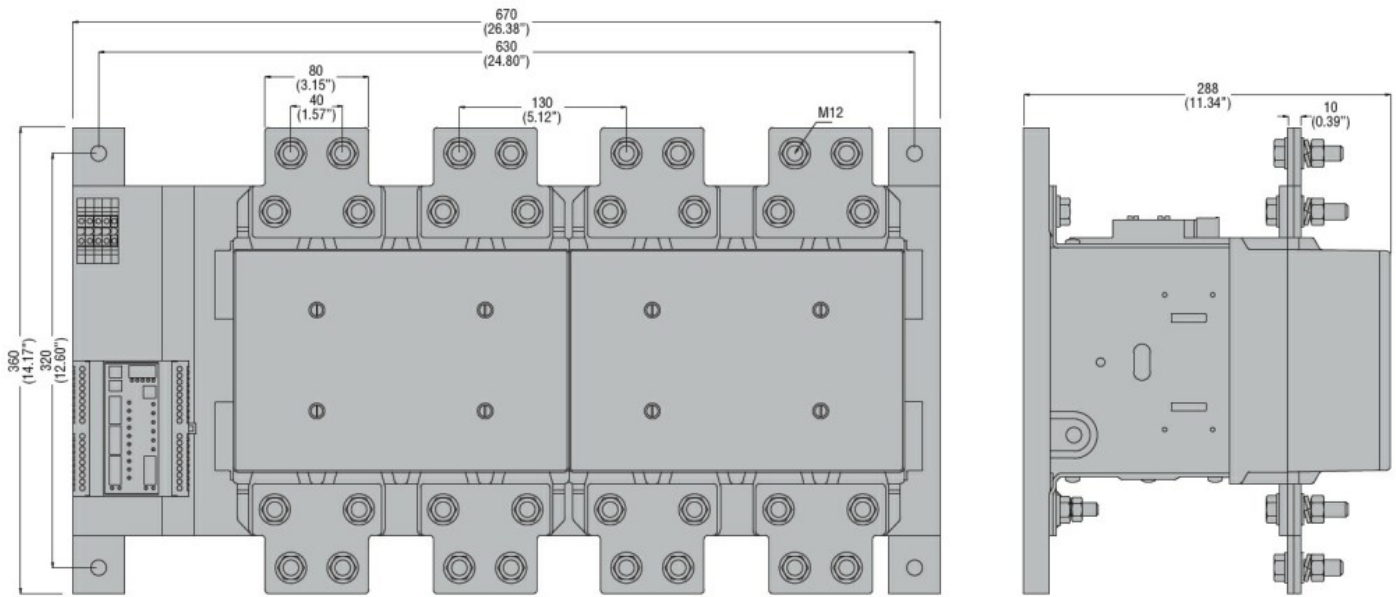
AC average coil consumption at 20°C

of 50/60Hz coil powered at 50Hz

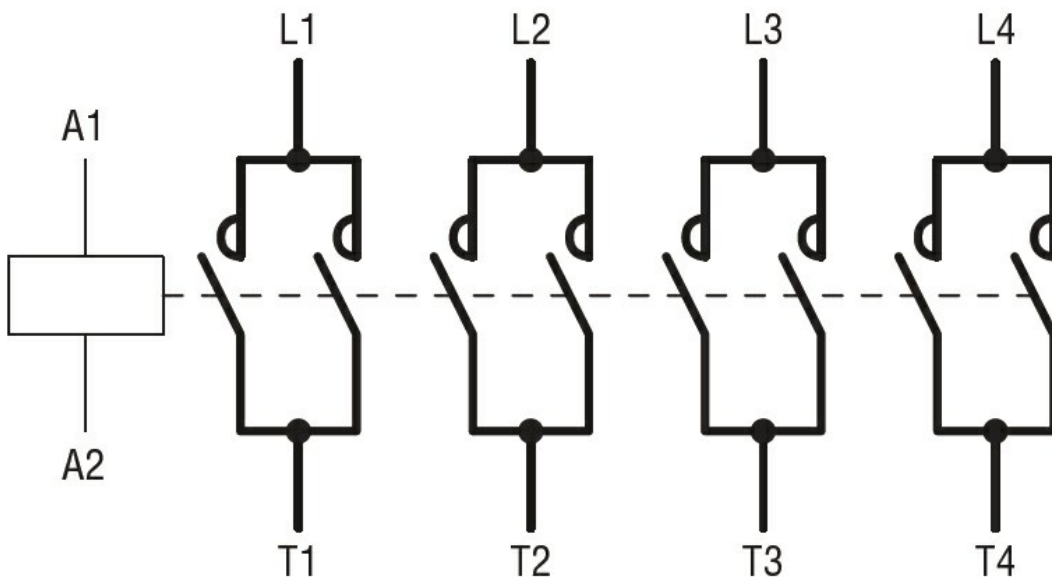
in-rush	VA	800
holding	VA	45

of 50/60Hz coil powered at 60Hz

	in-rush	VA	800
	holding	VA	45
Dissipation at holding ≤20°C 50Hz		W	40
DC coil operating			
DC rated control voltage	min	V	110
	max	V	125
DC operating voltage			
pick-up	min	%Us	80
Max cycles frequency			
Mechanical operation		cycles/h	1200
Operating times			
Average time for Us control			
in AC			
Closing NO	min	ms	300
	max	ms	450
Opening NO	min	ms	70
	max	ms	130
in DC			
Closing NO	min	ms	300
	max	ms	450
Opening NO	min	ms	70
	max	ms	130
UL technical data			
Contact rating of auxiliary contacts according to UL			A600 - P600
Ambient conditions			
Temperature			
Operating temperature	min	°C	-50
	max	°C	60
Storage temperature	min	°C	-60
	max	°C	80
Max altitude		m	3000
Resistance & Protection			
Pollution degree			3
Dimensions			



Wiring diagrams



Certifications and compliance

Compliance

CSA C22.2 n° 60947-1
CSA C22.2 n° 60947-4-1
IEC/EN 60947-1
IEC/EN 60947-4-1
UL 60947-1
UL 60947-4-1

Certificates

/

ETIM classification

ETIM 8.0

EC000066 -
Power contactor,
AC switching