



Product designation

Direct-on-line  
starter

Product type designation

M0P00912...10

**Electrical features**

Relay adj range	A	6-10
-----------------	---	------

IEC technical characteristics ( $\leq 440V$ )

$I_e$	A	10
kW	kW	3...4

**Components**

Starter enclosure standard supplied	M0PA
-------------------------------------	------

Contactors standard supplied	BG0910A
------------------------------	---------

Thermal relay standard supplied	RF910
---------------------------------	-------

**UL technical data**

Maximum UL/CSA horsepower ratings single-phase

110V-120V	HP	0.5
220V-240V	HP	1.5

Maximum UL/CSA horsepower ratings three-phase, 3-pole

200V-208V	HP	2
220V-240V	HP	3
440V-480V	HP	5
550V-600V	HP	5

**Mechanical features**

Weight	g	760
--------	---	-----

**Ambient conditions**

Operating temperature

min	°C	-25
max	°C	+60

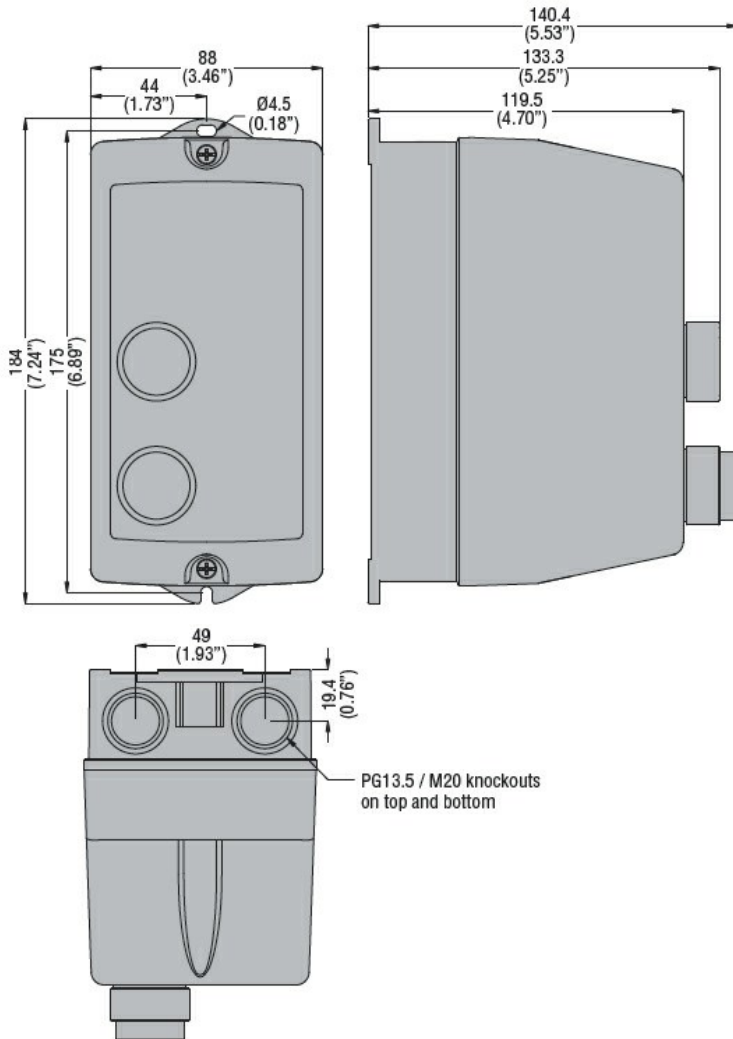
Storage temperature

min	°C	-40
max	°C	+70

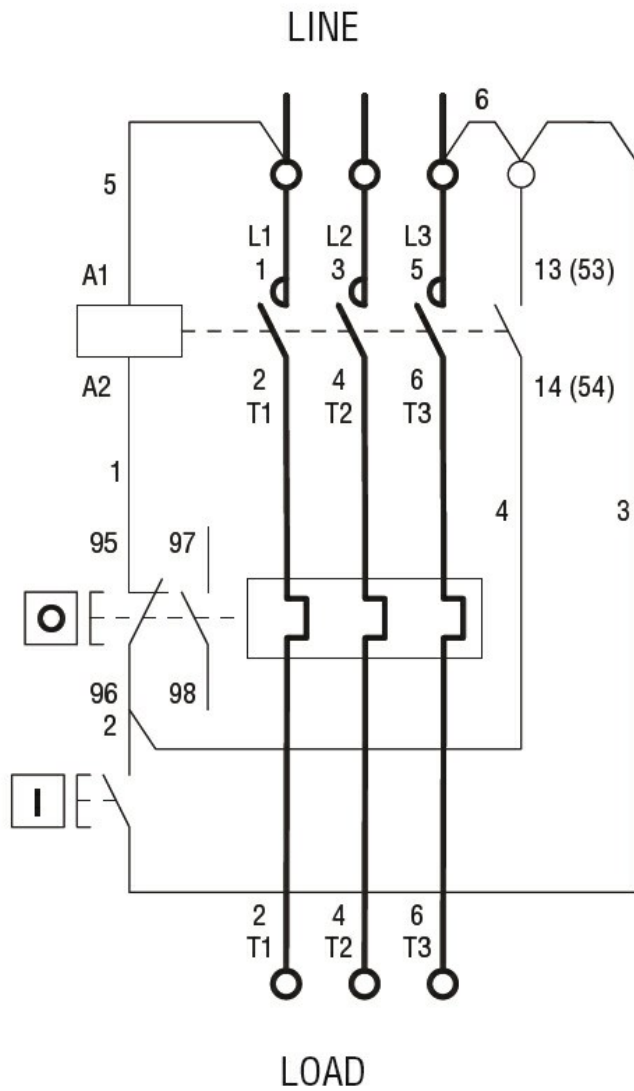
**Resistance & Protection**

Frontal IP degree	IP65
-------------------	------

**Dimensions**



Wiring diagrams



I = Start; O = Stop/Reset

**Certifications and compliance**

**Compliance**

IEC/EN 60947-1  
IEC/EN 60947-4-1  
UL508 CSA C22.2 n° 14

**Certificates**

CSAus  
cULus  
EAC

**ETIM classification**

ETIM 8.0

EC001037 -  
Motor  
starter/Motor  
starter  
combination