



Product designation				Switch disconnecter
Product type designation				GE
Number of poles	Nr.			4
Operating voltage type				AC
Contact characteristics				
IEC Conventional free air thermal current I _{th}	A			500
Rated insulation voltage U _i IEC/EN	V			1000
Rated impulse withstand voltage U _{imp}	kV			12
Operating current I _e				
AC21A	400V	A	500	
	500V	A	500	
	690V	A	500	
AC22A	400V	A	500	
	500V	A	500	
	690V	A	400	
AC23A	400V	A	500	
	500V	A	400	
	690V	A	250	
Power dissipation per pole max	W			22
Rated operational power AC23A	400V	kW	220	
	690V	kW	239	
Rated short time current (1s) I _{cw} (rms)	kA			16
Conditional short-circuit current (rms)	kA			100
Short-circuit protection with fuse	Class/A			gG500
Making capacity AC23A 400V	A			5000
Breaking capacity AC23A 400V	A			4000
Mechanical life	cycles			10000
Electrical life AC21A	cycles			1000 (AC23A 400V)
Mechanical features				
Operating position	normal allowable		Vertical plan Any	
Fixing	Screw			
Terminals	type screw		Bar M10	
Tightening torque for terminals	max		I _{bin}	10
Bar dimensions max	25x5			

Ambient conditions

Operating temperature

min	°C	-25
max	°C	55

Storage temperature

min	°C	-40
max	°C	70

Max altitude

m	3000
---	------

Resistance & Protection

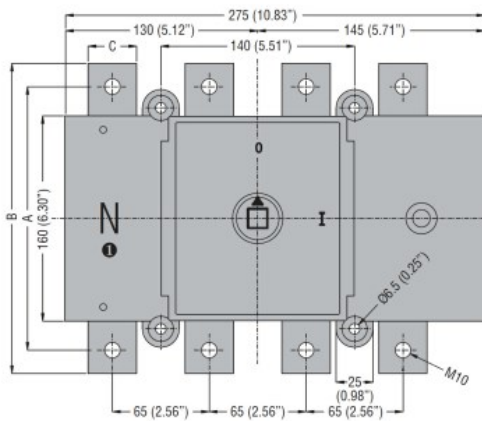
Frontal IP degree

IP20

Pollution degree

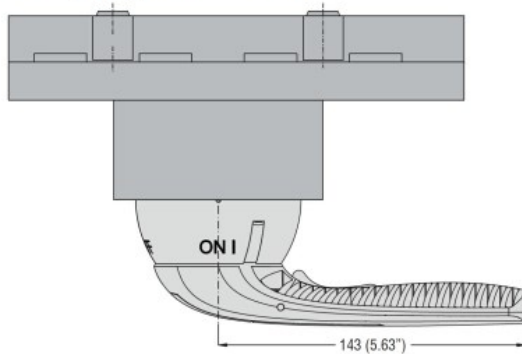
3

Dimensions

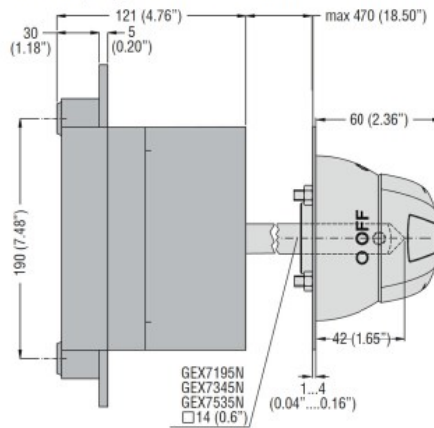


Type	A	B	C
GE0500 T4	190 (7.48")	220 (8.66")	25 (0.98")
GE0630 DT4	205 (8.07")	235 (9.25")	30 (1.18")
GE0630 T4	205 (8.07")	235 (9.25")	30 (1.18")
GE0800 DT4	205 (8.07")	235 (9.25")	30 (1.18")
GE0800 T4	205 (8.07")	235 (9.25")	30 (1.18")

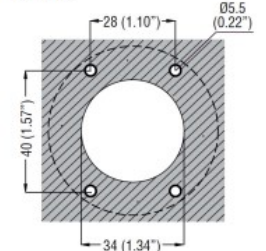
Direct operating version with handle GEX67ND



Door coupling version with handle GEX67N - GEX67NB

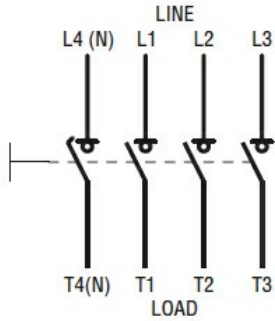


Drilling



Wiring diagrams

Four-pole disconnectors
GE0160 T4 - GE1600 T4
GE0160 T4P



Certifications and compliance

Compliance

IEC/EN 60947-1

IEC/EN 60947-3

Certifications

EAC

ETIM classification

ETIM 8.0

EC000216 -
 Switch
 disconnector