



Residual current  
circuit breakers  
(RCCB)  
P1RD  
2P  
2  
IEC

Product designation

Product type designation

Number of poles

Number of DIN modules

Compliance

**Electrical features**

Rated insulation voltage $U_i$ IEC/EN	V	400
Rated impulse withstand voltage $U_{imp}$	kV	4
Rated operational voltage AC (IEC)	VAC	230
Rated frequency	Hz	50/60
Rated current ( $I_n$ )	A	40
Residual operation characteristic		AC
Rated residual current	mA	300
Short circuit rating (IEC)	kA	10
Electrical life	cycles	10000

**Ambient conditions**

Operating temperature

min	°C	-35
max	°C	+70

Storage temperature

min	°C	-40
max	°C	+80

Max altitude

m 2000

**Mechanical features**

Operating position

normal Vertical plan

Fixing

35mm DIN rail

Tightening torque for terminals

max	Nm	2
max	lbin	15

Terminals tool

Pz 2

Conductor section

IEC

min	mm <sup>2</sup>	2.5
max	mm <sup>2</sup>	35

AWG/Kcmil

min		14
max		2

Mechanical life

cycles 20000

Weight

g 185

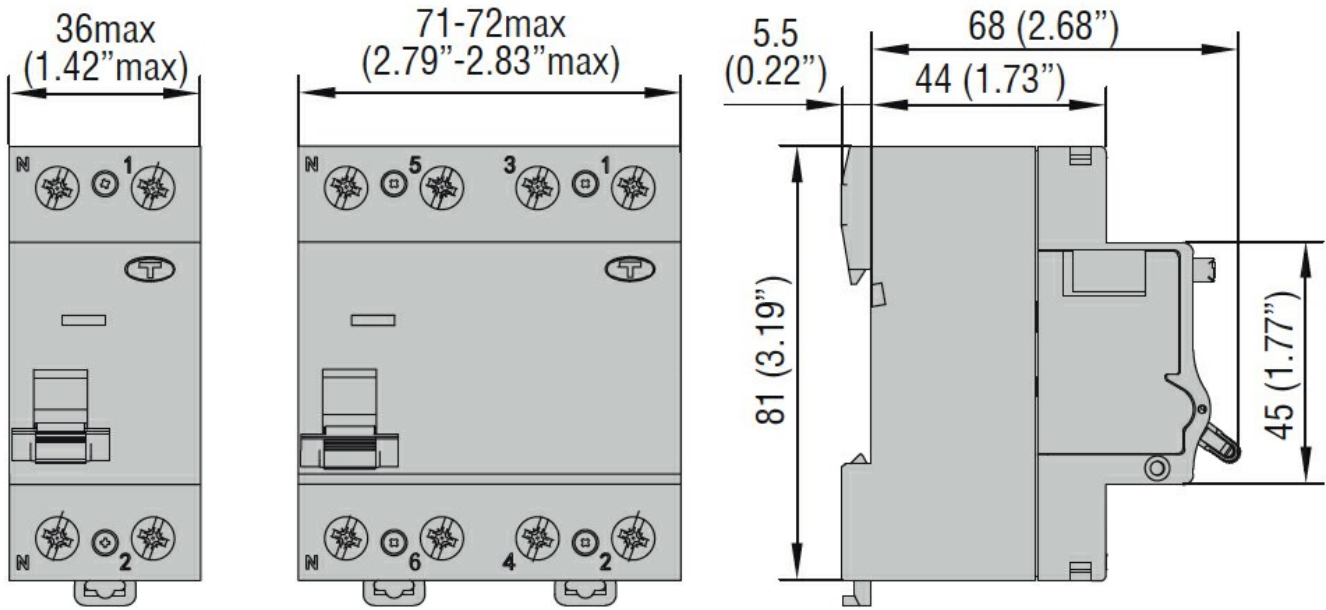
Frontal IP degree

IP20

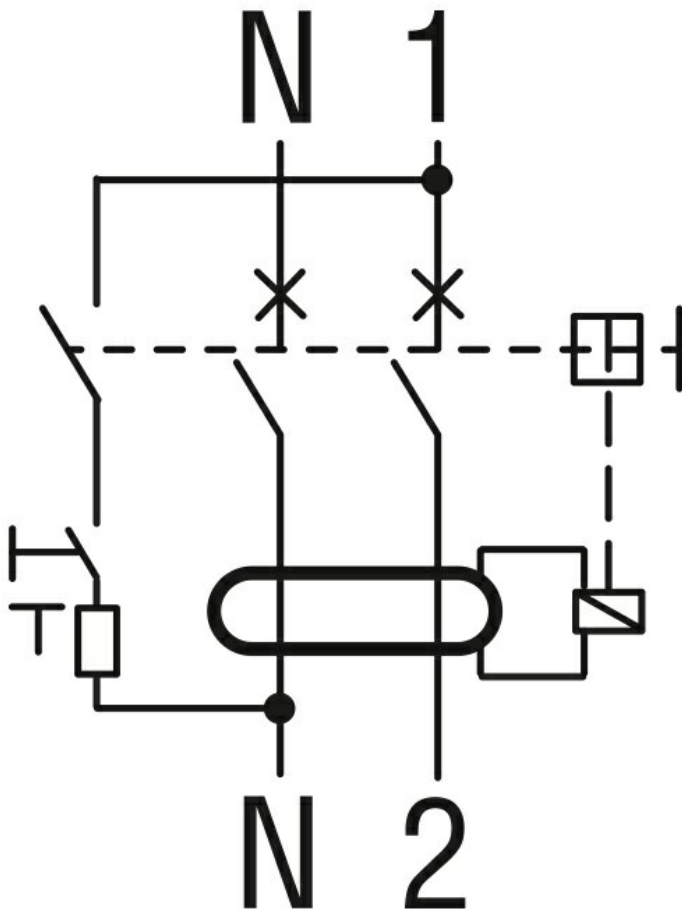
Pollution degree

2

**Dimensions**



Wiring diagrams



Certifications and compliance

Compliance

IEC/EN/BS 61008-1

---

Certifications

EAC  
TÜV-SUD

---

ETIM classification

ETIM 8.0

EC000003 -  
Residual current  
circuit breaker  
(RCCB)