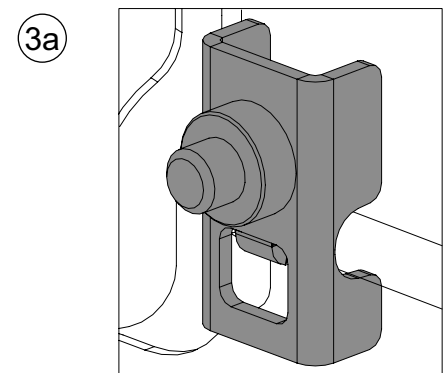
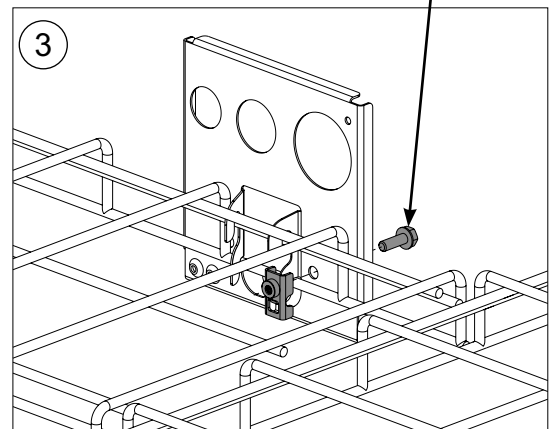
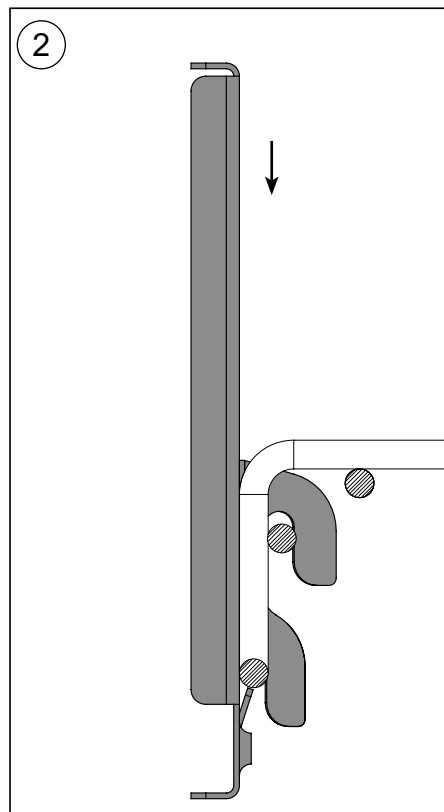
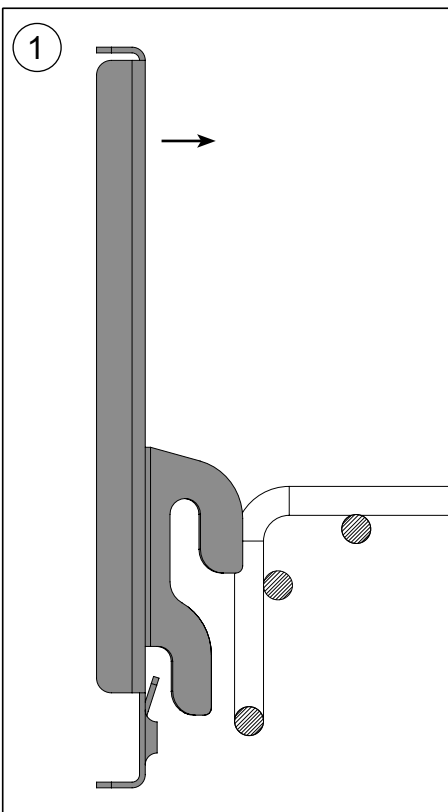


OPTIONAL ACCESSORY
GACBJ6*U

Truss Bolt Clip cuts through paint and bonds to Wyr-Grid

Installation

Tighten Torque Screw
(Recommended torque
6+/-0.25 Ft-Lbs (8.1+/-0.3 N.m))



For Instructions in Local Languages
and Technical Support:

www.panduit.com/resources/install_maintain.asp

PANDUIT
www.panduit.com

E-mail:
techsupport@panduit.com

Phone:
866-405-6654