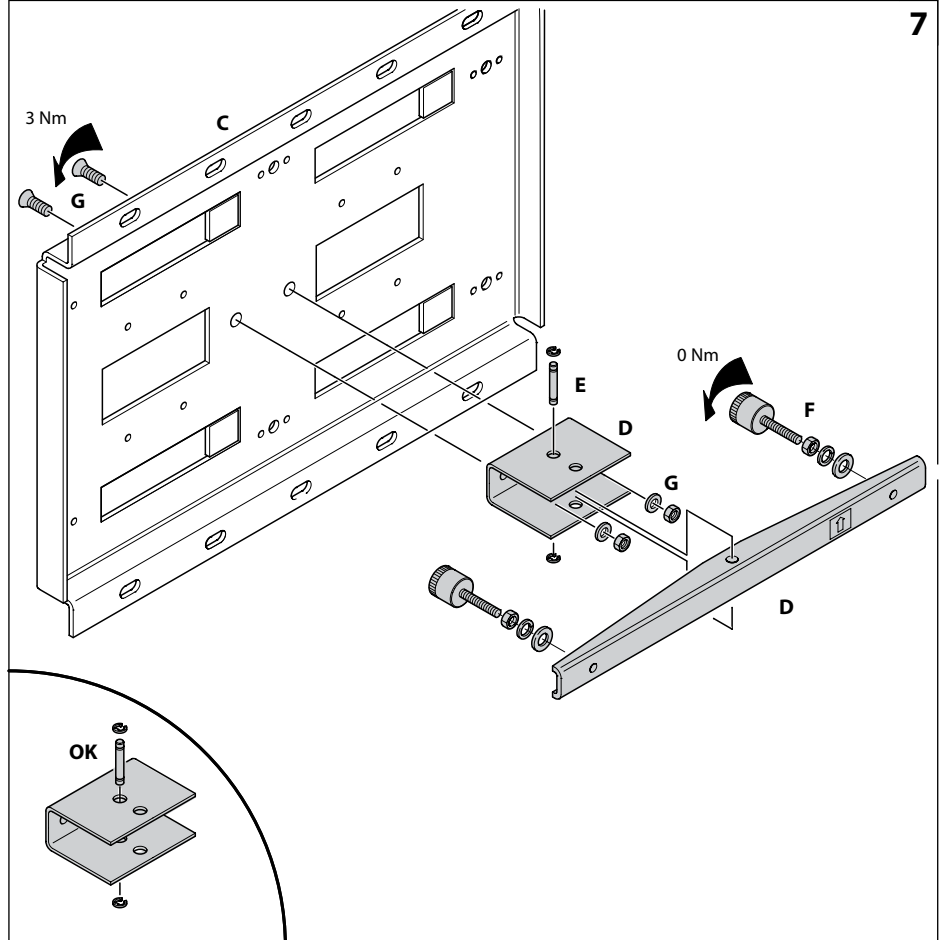
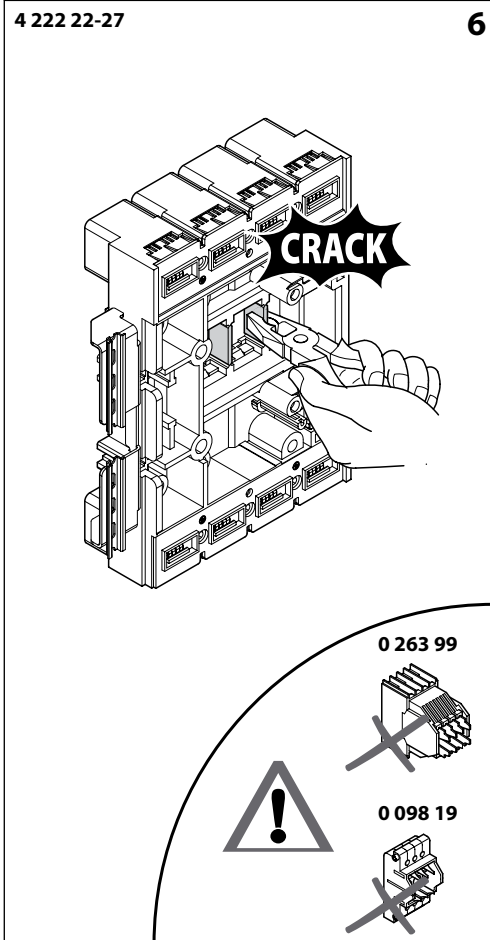
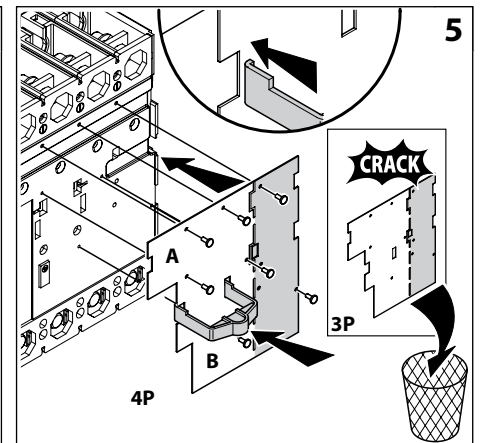
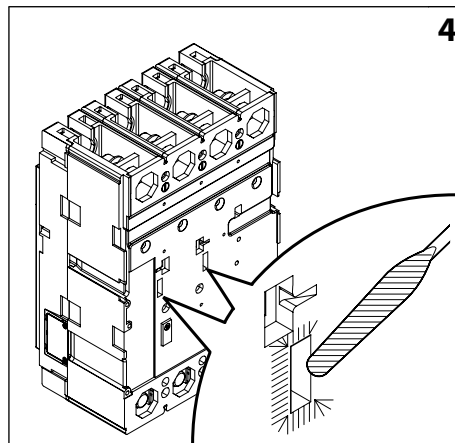
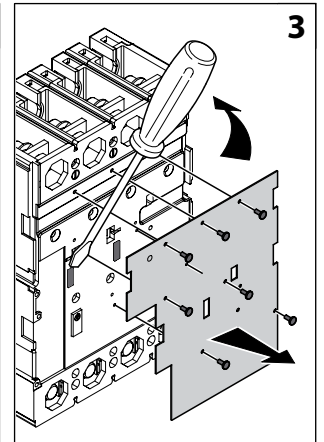
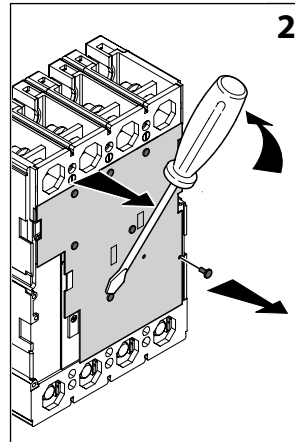
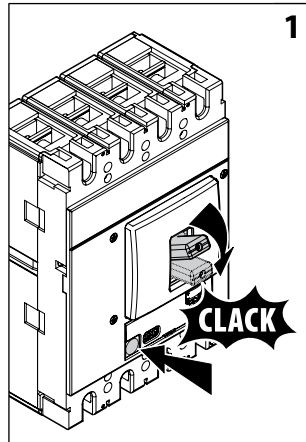
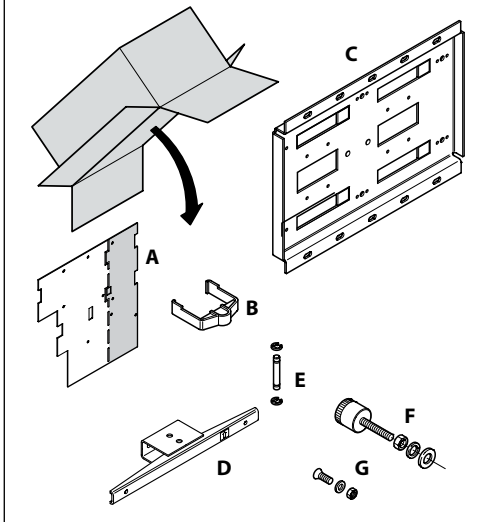
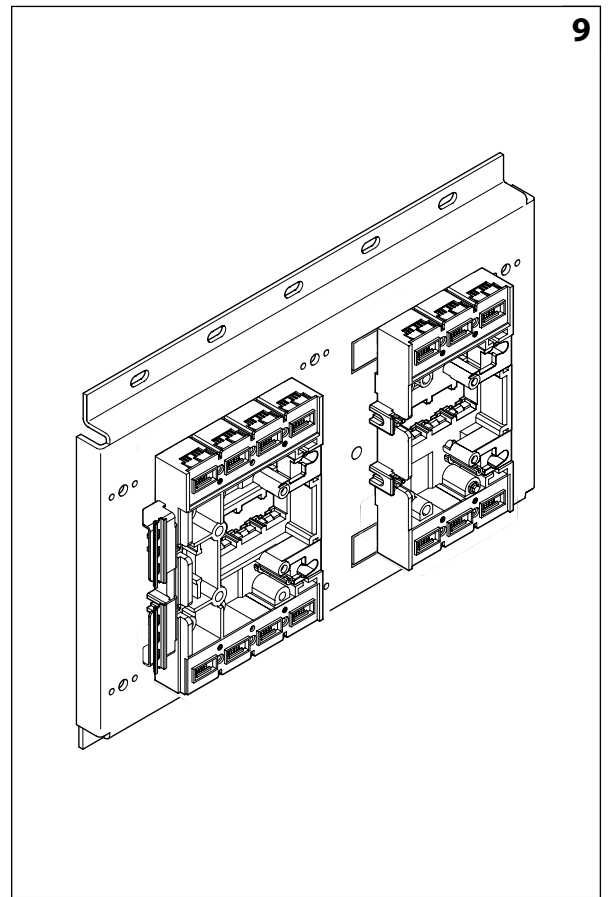
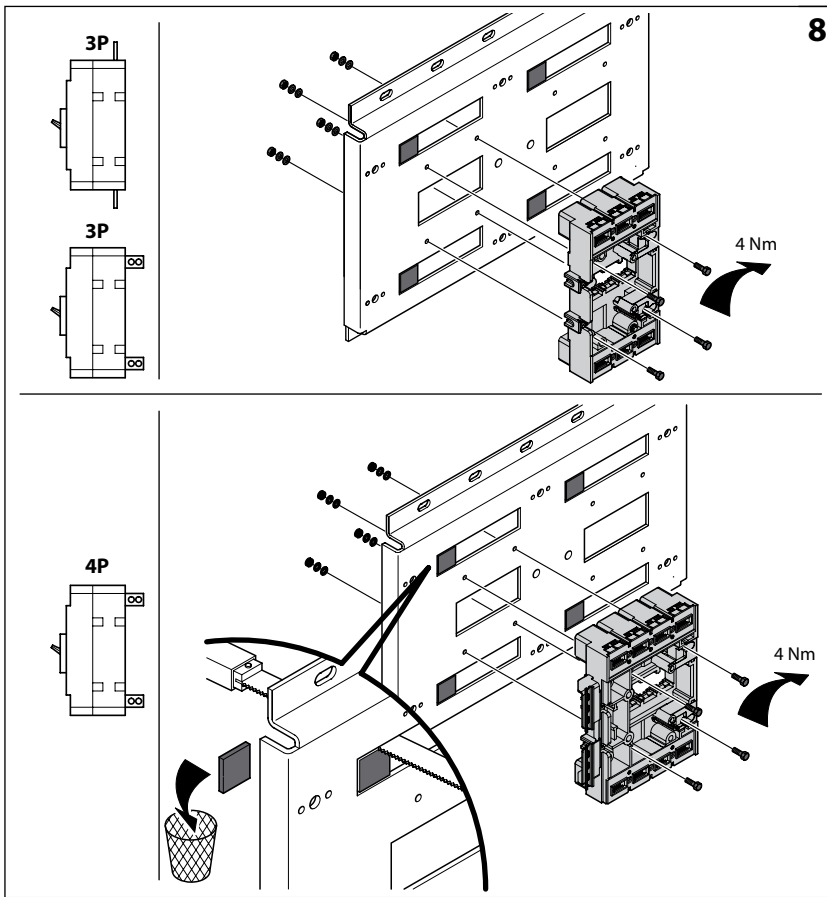
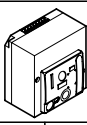

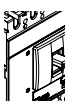
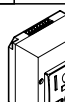
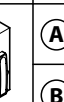


DPX ³ 630 0 264 04	
A	2
B	2
C	1
D	1
E	2
F	2
G	2





				X mm		
		DPX ³	DISCHARGED	CHARGED	X mm	
0 262 41/81/82 4 222 38		(A)	I	-	-	0
		(B)	O	-	-	0 ÷ 1 mm
0 261 40/41/42/43 4 226 26 9 802 69		(A)	I	I	CHARGED	0
		(B)	O	O	DISCHARGED	0 ÷ 1 mm