



|                          |   |
|--------------------------|---|
| Product designation      | ILLUMINATED selector switch actuator - 3 position |
| Product type designation | LPCSL13   |

**General characteristics**

|                          |                      |
|--------------------------|----------------------|
| Colour                   | Red                  |
| Type of positions        | Selector switch      |
| Material                 | Polyamide            |
| IEC degree of protection | IP66, IP67 and IP69K |

**Mechanical features**

|                  |                          |         |
|------------------|--------------------------|---------|
| Mechanical life  | cycles                   | 1000000 |
| Fixing           | Without mounting adapter |         |
| Mounting adapter | LPXAU120                 |         |
| Weight           | g                        | 25      |

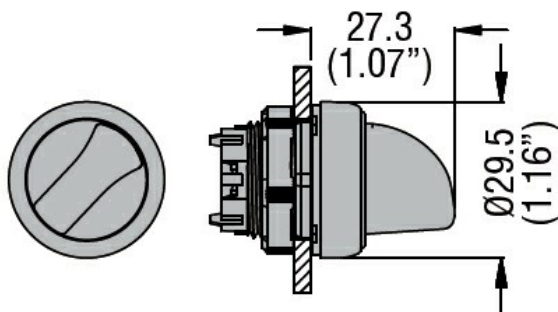
**UL technical data**

|                         |                              |
|-------------------------|------------------------------|
| UL degree of protection | Type1, 2, 3R, 4, 4X, 12, 12K |
|-------------------------|------------------------------|

**Ambient conditions**

|             |                       |     |    |     |
|-------------|-----------------------|-----|----|-----|
| Temperature | Operating temperature | min | °C | -25 |
|             |                       | max | °C | +70 |
|             | Storage temperature   | min | °C | -40 |
|             |                       | max | °C | +85 |

**Dimensions**



**Certifications and compliance**

|            |                     |
|------------|---------------------|
| Compliance | CSA C22.2 n° 14     |
|            | IEC/EN/BS 60947-1   |
|            | IEC/EN/BS 60947-5-1 |
|            | UL508               |

**Certificates**

CCC

cULus

EAC

RINA

ETIM classification

ETIM 8.0

EC000222 -  
Front element for  
selector switch