



Y8A48A2-LXXXUFA050

Passive distribution boxes

PLUG CONNECTORS AND CABLES

SICK
Sensor Intelligence.



Ordering information

Type	Part no.
Y8A48A2-LXXXUFA050	2115730

Other models and accessories → www.sick.com/Passive_distribution_boxes



Detailed technical data

Technical specifications

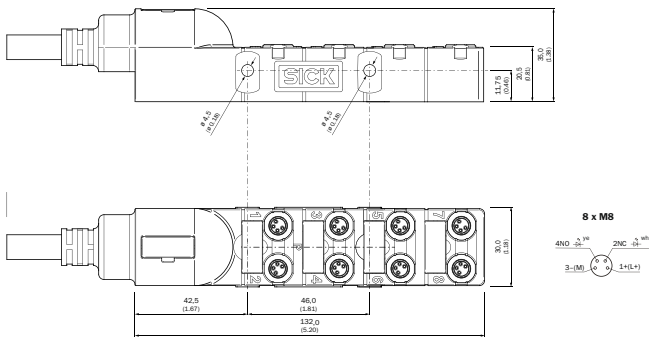
Shielding	Unshielded								
Slot connection type	M8, 4-pin, A-coded, female connector								
Root port connection type	Flying leads								
Connecting cable	5 m, 18-wire, PUR, halogen-free								
Cable diameter	10.4 mm								
Cable color	Gray								
Conductor cross section	2 x 0.75 mm ² + 16 x 0.34 mm ²								
Traversing speed	2 m/s								
Travelling distance	5 m								
Acceleration	≤ 5 m/s ²								
Bending radius	<table border="0"> <tr> <td>Flexible use</td> <td>> 10 x cable diameter</td> </tr> <tr> <td>Stationary position</td> <td>> 10 x cable diameter</td> </tr> <tr> <td>Drag chain operation</td> <td>> 10 x cable diameter</td> </tr> </table>	Flexible use	> 10 x cable diameter	Stationary position	> 10 x cable diameter	Drag chain operation	> 10 x cable diameter		
Flexible use	> 10 x cable diameter								
Stationary position	> 10 x cable diameter								
Drag chain operation	> 10 x cable diameter								
Bending cycles	≤ 5,000,000								
Tightening torque	<table border="0"> <tr> <td>Slots</td> <td>0.4 Nm</td> </tr> </table>	Slots	0.4 Nm						
Slots	0.4 Nm								
Display LED	<table border="0"> <tr> <td>Slots</td> <td>2 x per socket</td> </tr> <tr> <td>Root port</td> <td>1x per distributor</td> </tr> </table>	Slots	2 x per socket	Root port	1x per distributor				
Slots	2 x per socket								
Root port	1x per distributor								
Reference voltage	≤ 24 V DC								
Current loading	10 A								
Overvoltage category	III								
Operating temperature	<table border="0"> <tr> <td>Flexible use</td> <td>-5 °C ... +80 °C</td> </tr> <tr> <td>Stationary position</td> <td>-40 °C ... +80 °C</td> </tr> <tr> <td>Drag chain operation</td> <td>-5 °C ... +60 °C</td> </tr> <tr> <td>Distributor box</td> <td>-20 °C ... +72 °C</td> </tr> </table>	Flexible use	-5 °C ... +80 °C	Stationary position	-40 °C ... +80 °C	Drag chain operation	-5 °C ... +60 °C	Distributor box	-20 °C ... +72 °C
Flexible use	-5 °C ... +80 °C								
Stationary position	-40 °C ... +80 °C								
Drag chain operation	-5 °C ... +60 °C								
Distributor box	-20 °C ... +72 °C								

Enclosure rating	IP65/ IP67
UL File No.	E238799
Authorizations	UL CE
Items supplied	10 x labeling plates

Classifications

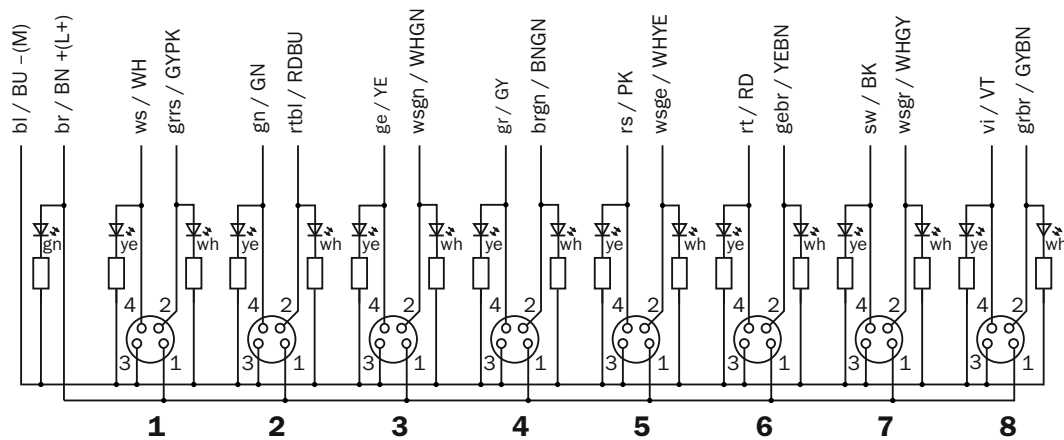
ECLASS 5.0	27279201
ECLASS 5.1.4	27279201
ECLASS 6.0	27279201
ECLASS 6.2	27279201
ECLASS 7.0	27279201
ECLASS 8.0	27279201
ECLASS 8.1	27279201
ECLASS 9.0	27440108
ECLASS 10.0	27440108
ECLASS 11.0	27440108
ECLASS 12.0	27440108
ETIM 5.0	EC002585
ETIM 6.0	EC002585
ETIM 7.0	EC002585
ETIM 8.0	EC002585
UNSPSC 16.0901	31163032

Dimensional drawing (Dimensions in mm (inch))






Connection diagram

Cd-477



Recommended accessories

Other models and accessories → www.sick.com/Passive_distribution_boxes

	Brief description	Type	Part no.
Device protection (mechanical)			
	1 piece, Protective cap for M8 socket or unused ports	DOS-08SK	5340762
Distributors			
	<ul style="list-style-type: none"> Connection type head A: Female connector, M8, 3-pin, A-coded Connection type head B: Female connector, M8, 3-pin, A-coded Connection type head C: Male connector, M8, 4-pin, A-coded Signal type: Sensor/actuator cable Cable: 0.3 m, 3-wire, PUR, halogen-free Description: Sensor/actuator cable, unshielded Application: Zones with oils and lubricants 	YM8U14-C30UA1FY8A3	2122298
Others			
	<ul style="list-style-type: none"> Connection type head A: Female connector, M8, 4-pin, straight, A-coded Connection type head B: Male connector, M8, 4-pin, straight, A-coded Signal type: Sensor/actuator cable Cable: 5 m, 4-wire, PUR, halogen-free Description: Sensor/actuator cable, unshielded Application: Zones with oils and lubricants, Drag chain operation, Robot 	YF8U14-050UA3M8U14	2096348

SICK AT A GLANCE

SICK is one of the leading manufacturers of intelligent sensors and sensor solutions for industrial applications. A unique range of products and services creates the perfect basis for controlling processes securely and efficiently, protecting individuals from accidents and preventing damage to the environment.

We have extensive experience in a wide range of industries and understand their processes and requirements. With intelligent sensors, we can deliver exactly what our customers need. In application centers in Europe, Asia and North America, system solutions are tested and optimized in accordance with customer specifications. All this makes us a reliable supplier and development partner.

Comprehensive services complete our offering: SICK LifeTime Services provide support throughout the machine life cycle and ensure safety and productivity.

For us, that is “Sensor Intelligence.”

WORLDWIDE PRESENCE:

Contacts and other locations –www.sick.com