

6LE001627Ad

## h3+

P250

**3P-4P**

x6 (3P)  
x8 (4P)

x2

x2 (3P)  
x3 (4P)

2, 3

PH 2

4, 5, 6, 8, 10

95,5

165

144

35

35

24

68

97

45

76

102

65

B

	A (mm)
3P	105
4P	140

	B (mm)
TM-LSI	72,5
Energy	74,5

M4

35

126

PH2

1 Nm

TRIP →

**OFF**

A

→

**ON**

B

→

**TRIP**

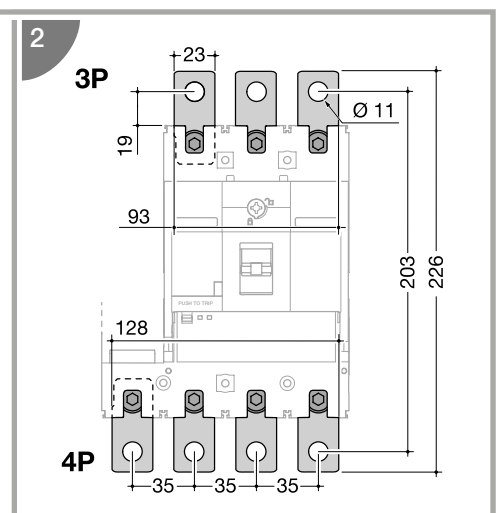
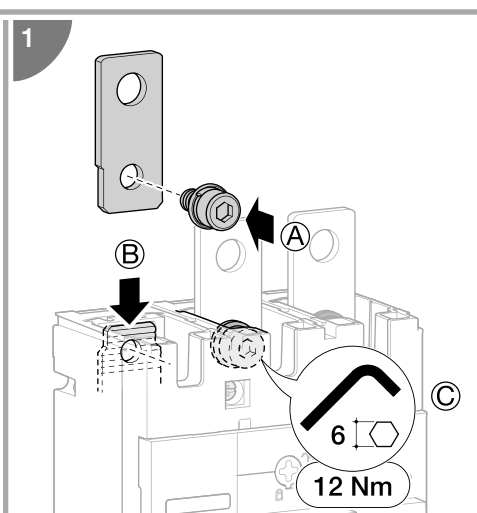
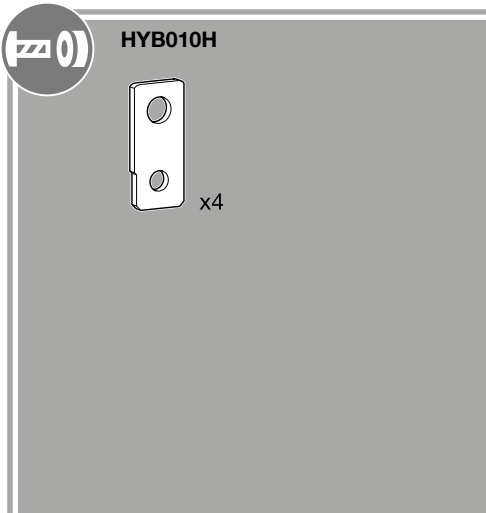
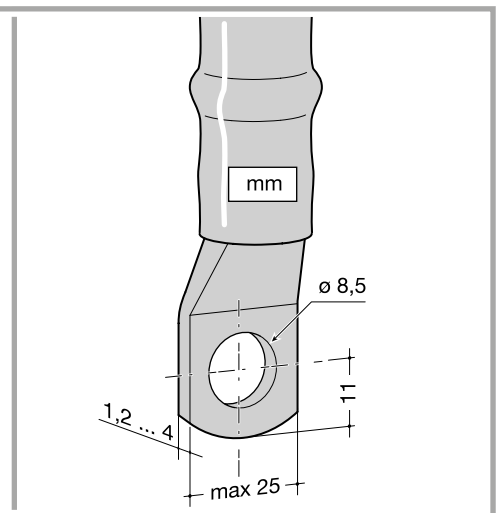
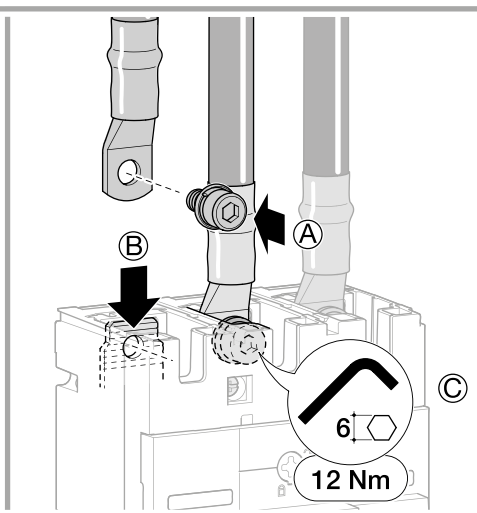
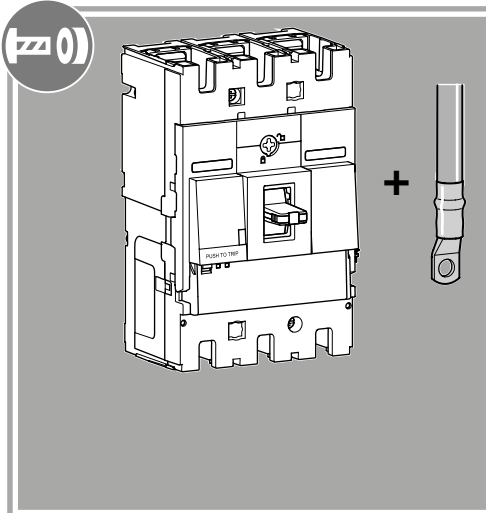
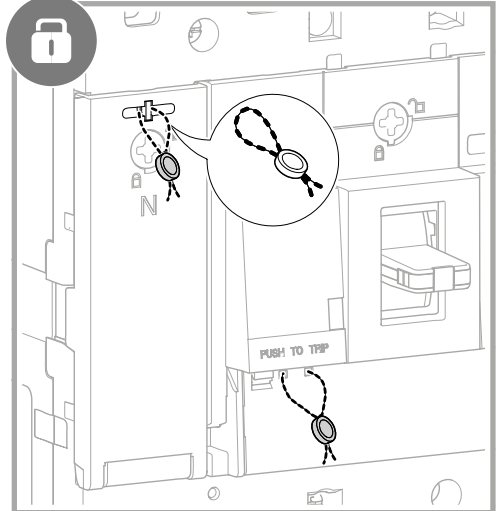
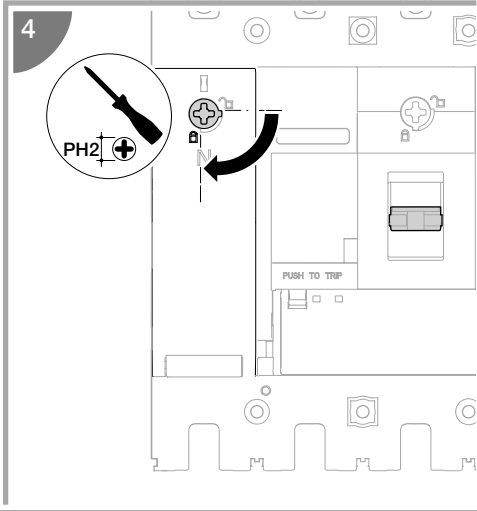
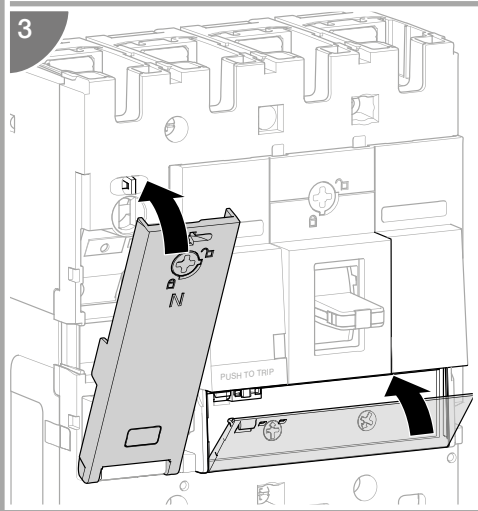
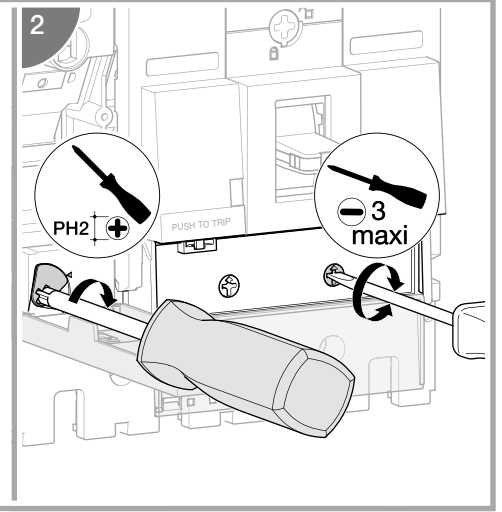
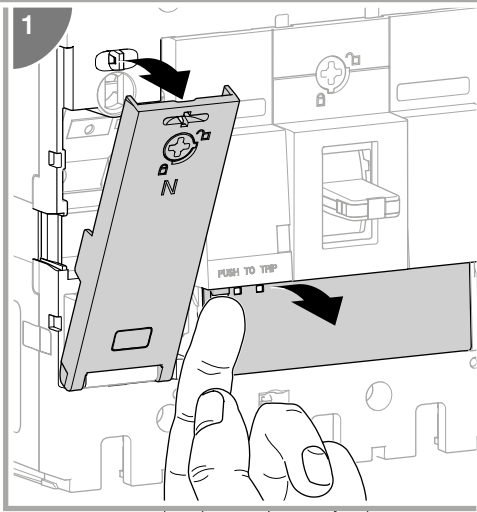
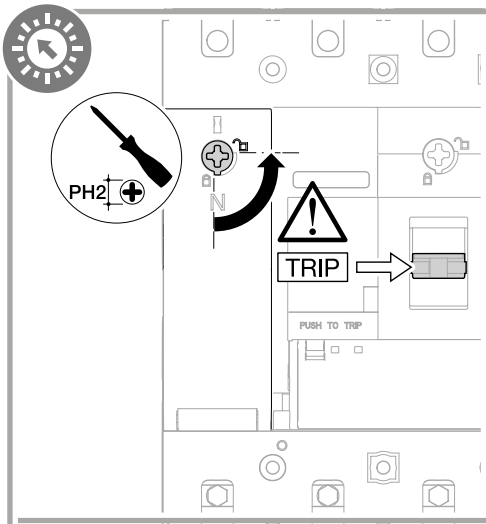
C

→

**OFF**

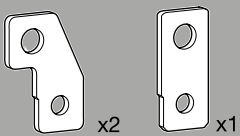
D

**Click!**

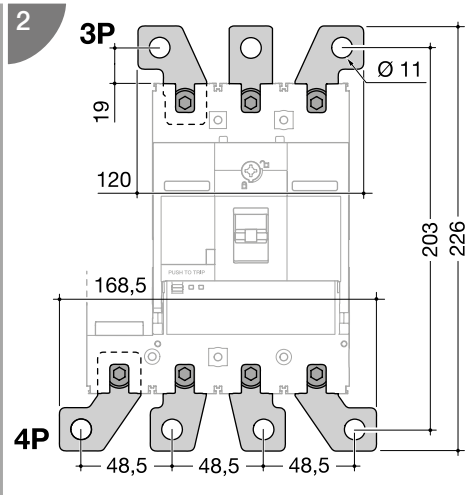
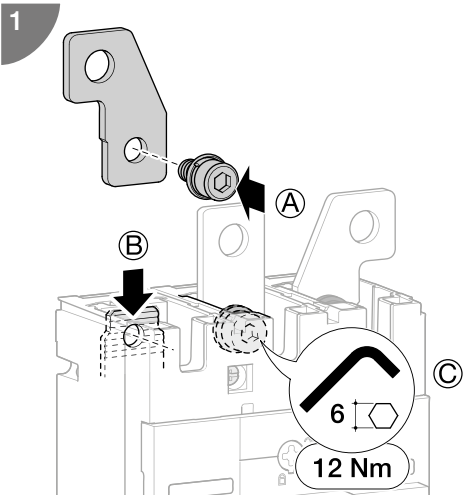
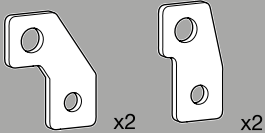




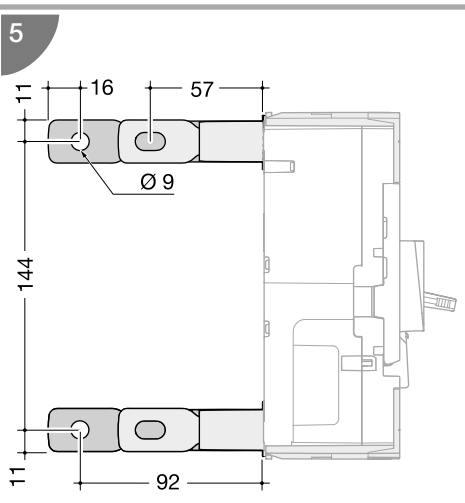
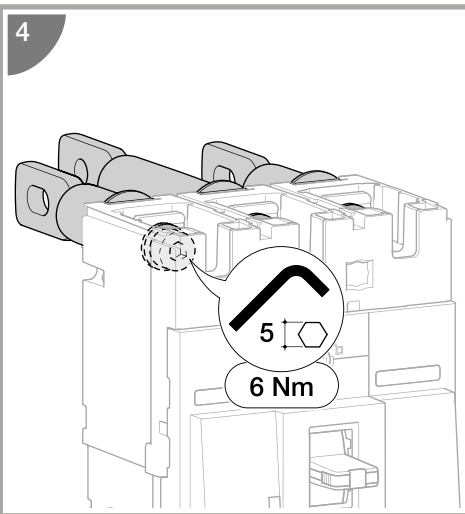
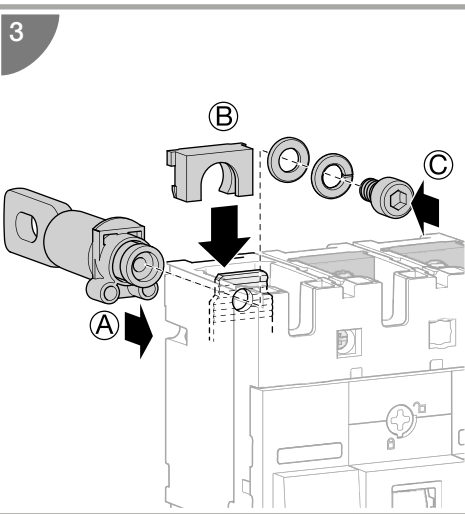
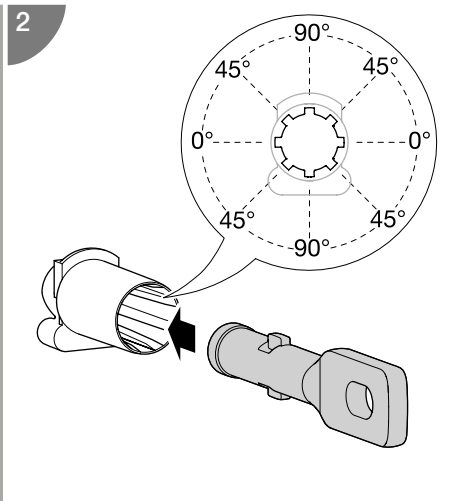
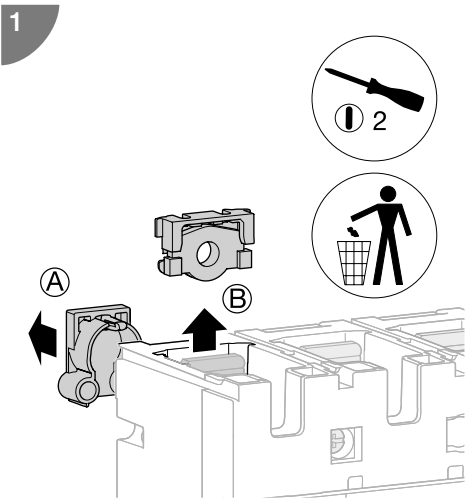
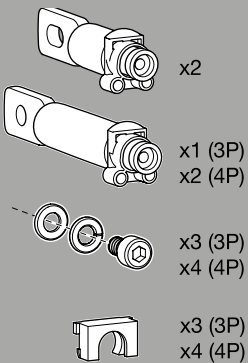
### HYB011H (3P)



### HYB012H (4P)

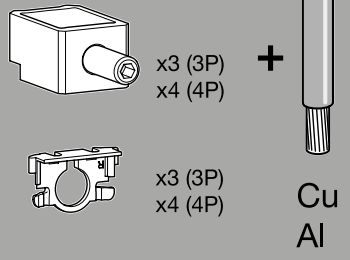


### HYB031H (3P) HYB032H (4P)



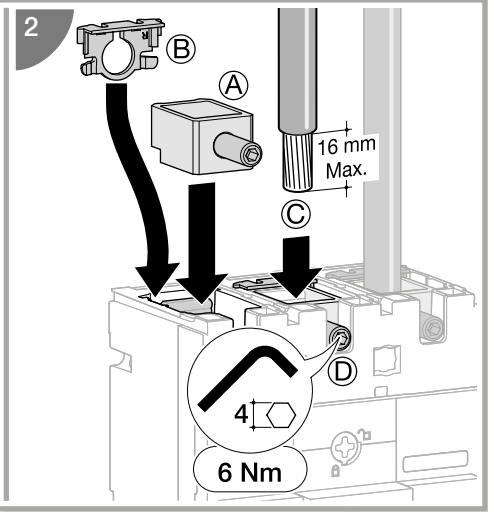
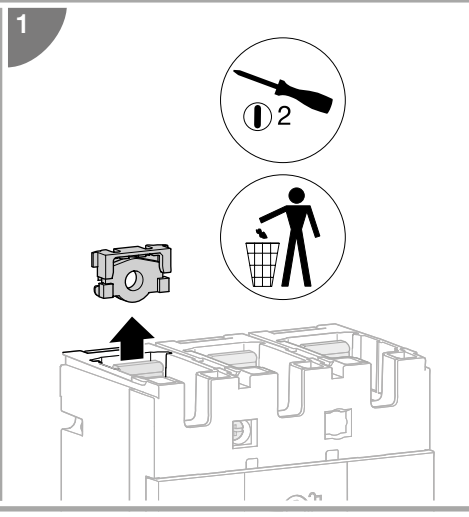


**HYT001H (3P)**  
**HYT002H (4P)**

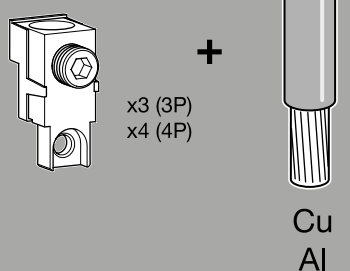


	min.	max.
	(mm <sup>2</sup> )	
	10	120
	10	150

Cu  
Al

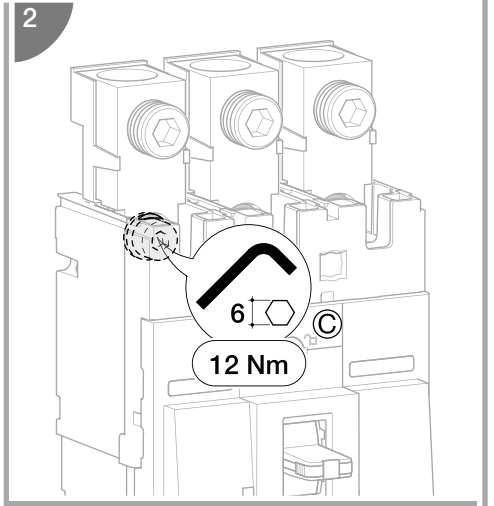
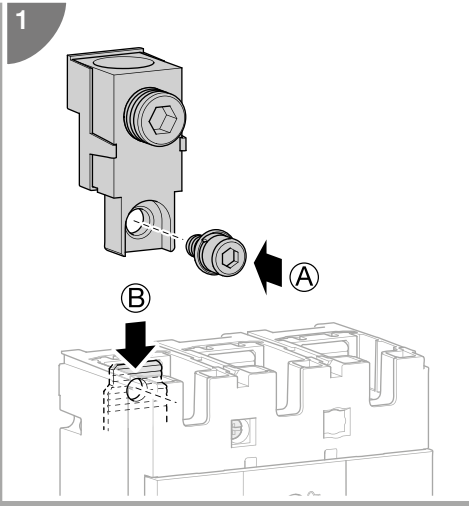


**HYT005H (3P)**  
**HYT006H (4P)**

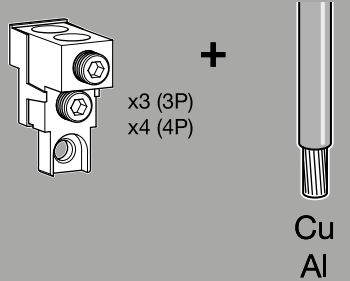


	min.	max.
	(mm <sup>2</sup> )	
	50	185
	50	185

Cu  
Al

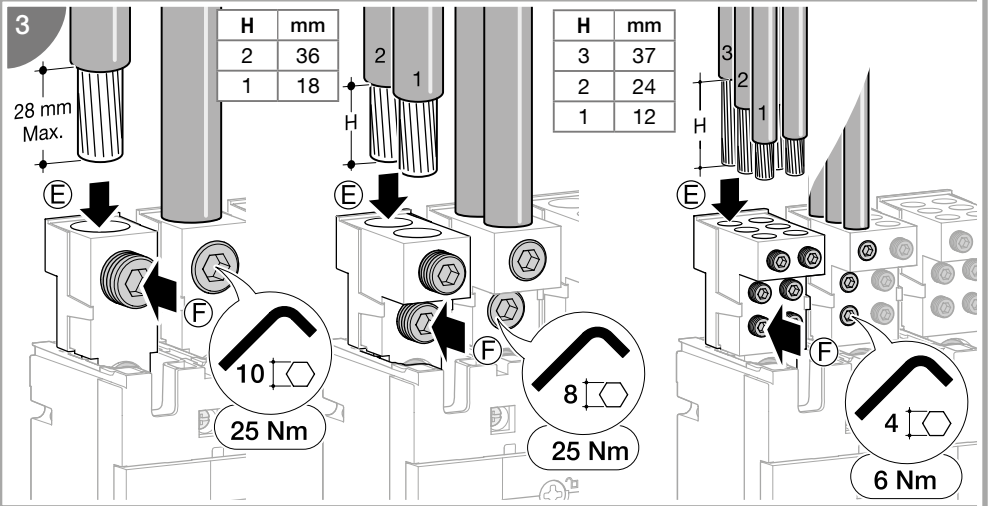


**HYT007H (3P)**  
**HYT008H (4P)**

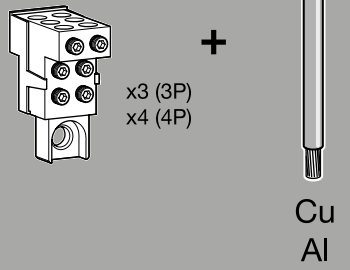


	min.	max.
	(mm <sup>2</sup> )	
	35	95
	35	120

Cu  
Al

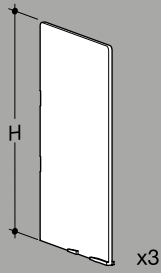


**HYT065H (3P)**  
**HYT066H (4P)**

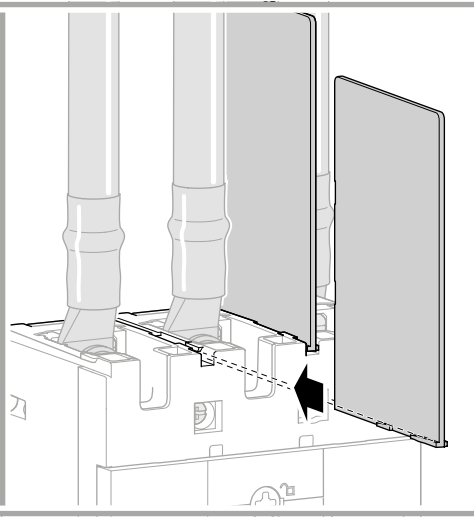


	min.	max.
	(mm <sup>2</sup> )	
	6	35
	6	35

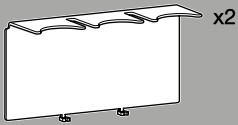
Cu  
Al



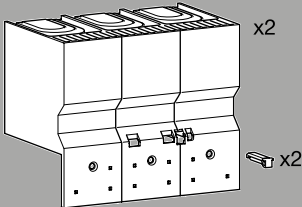
H (mm)	
100	
3P/4P	HYT019H



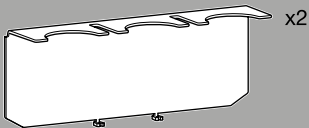
HYT050H (3P)  
HYT051H (4P)



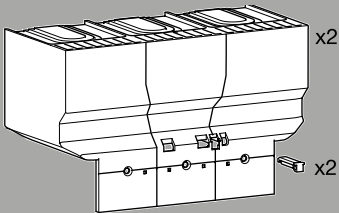
HYT021H (3P)  
HYT022H (4P)



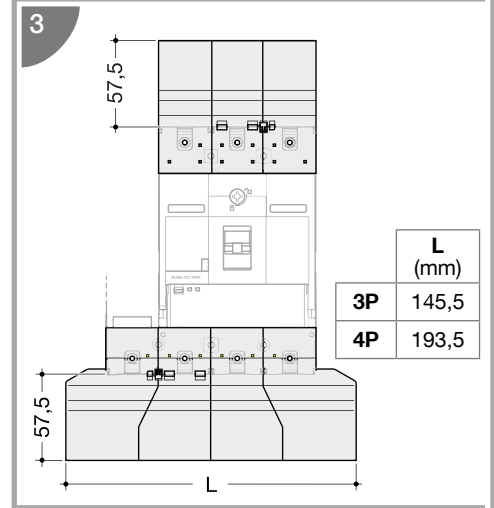
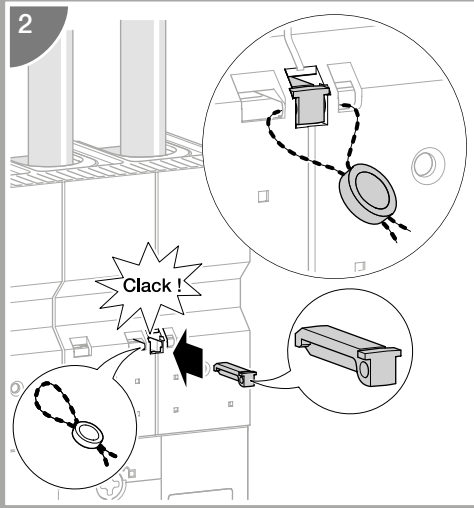
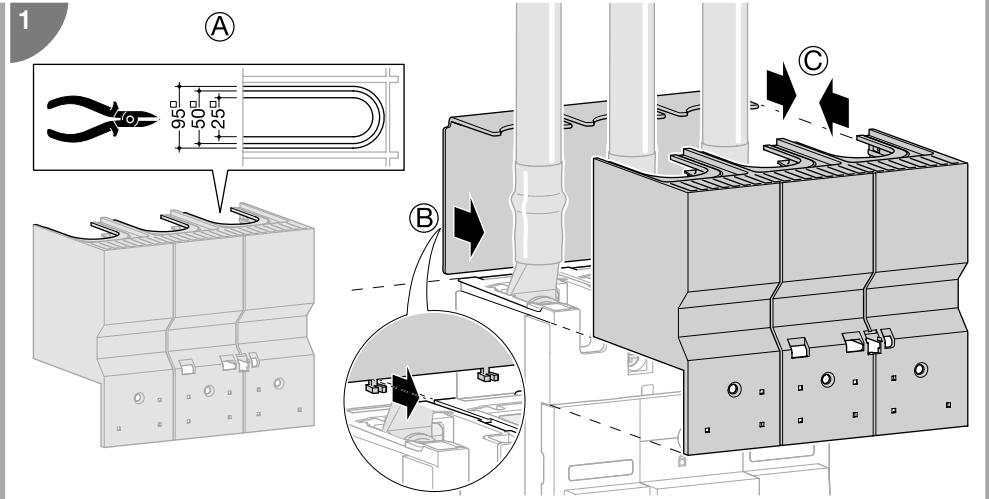
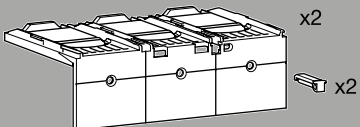
HYT052H (3P)  
HYT053H (4P)

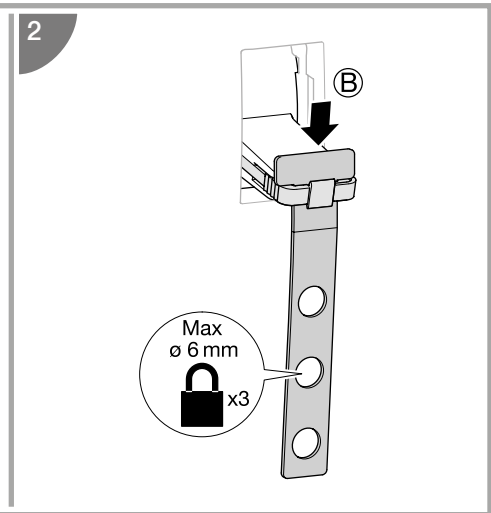
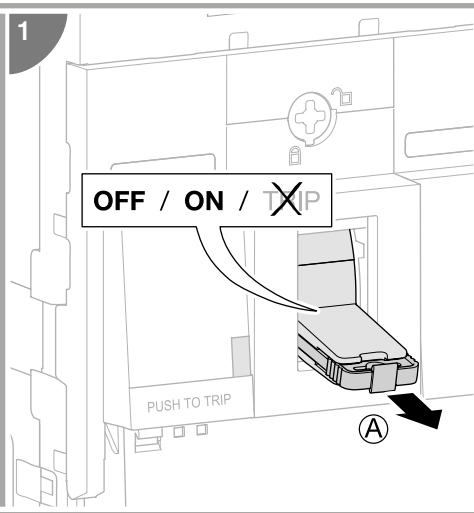
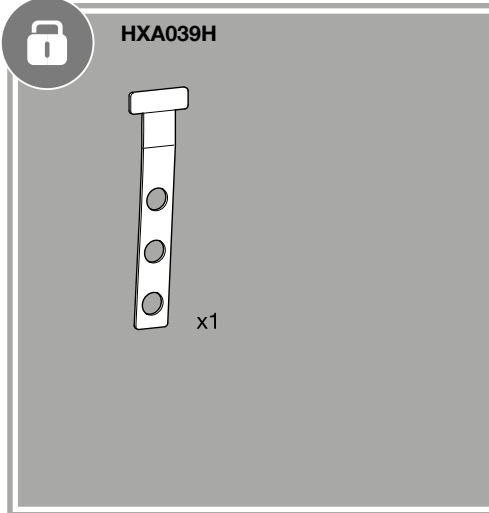
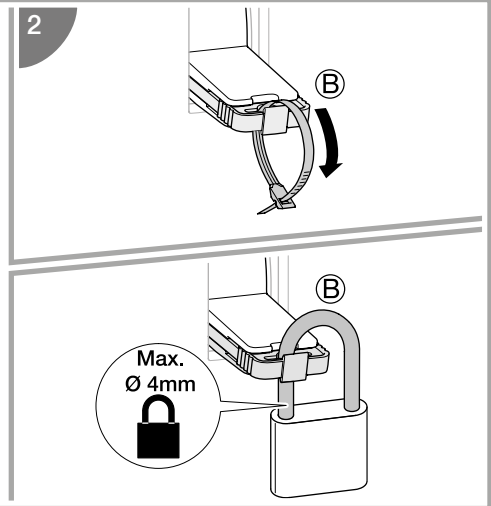
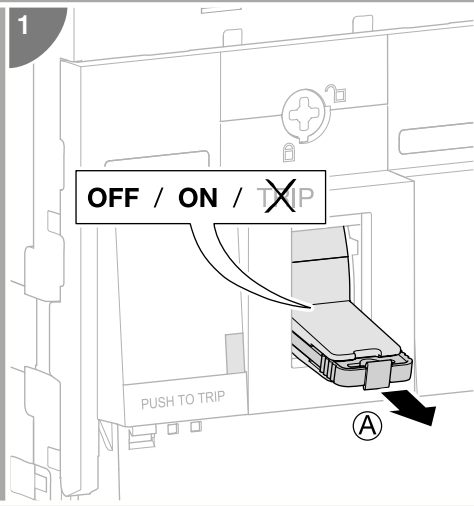
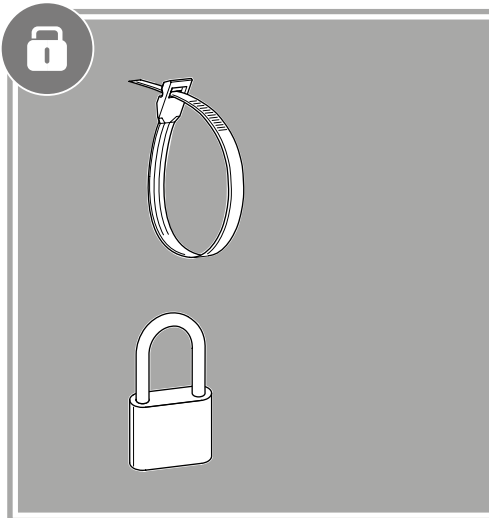


HYT023H (3P)  
HYT024H (4P)



HYT025H (3P)  
HYT026H (4P)





Blank area for notes or instructions, featuring a clipboard icon at the top left and horizontal lines for writing.