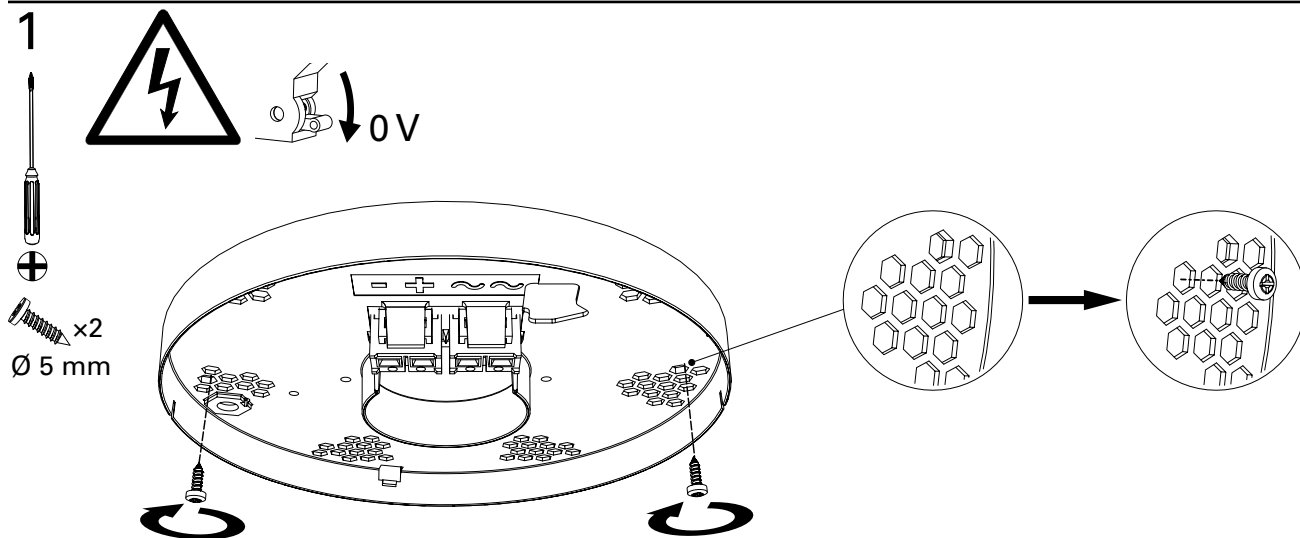
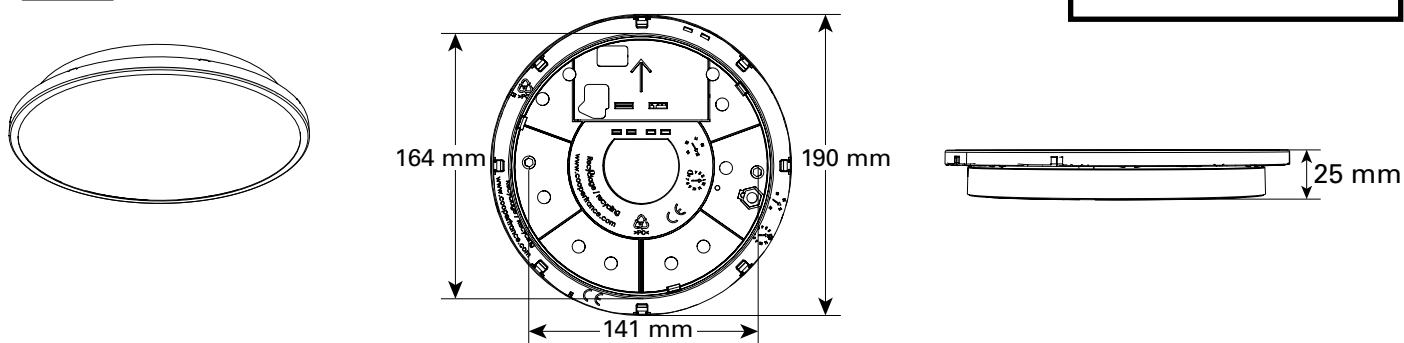
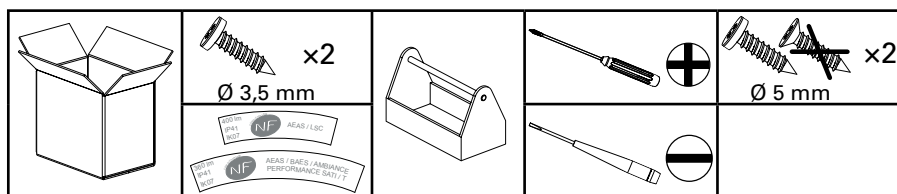
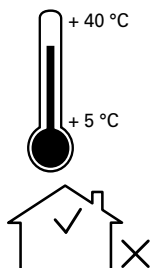


PLANETE 400 DISC ADR CGLine+

+ centrale de gestion web/web-controller ADR 1L511/CGLine+

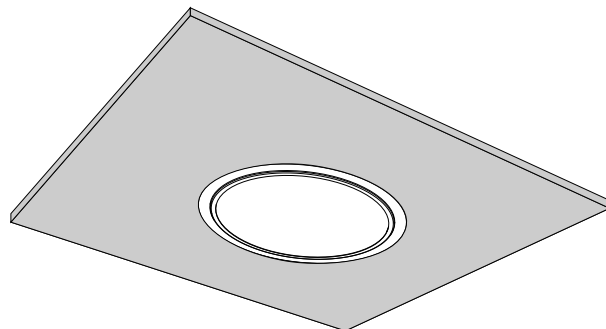


www.lcie.fr

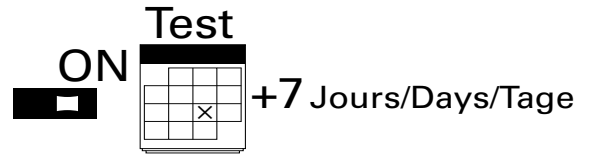
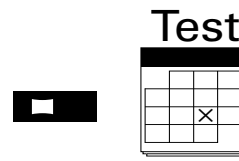
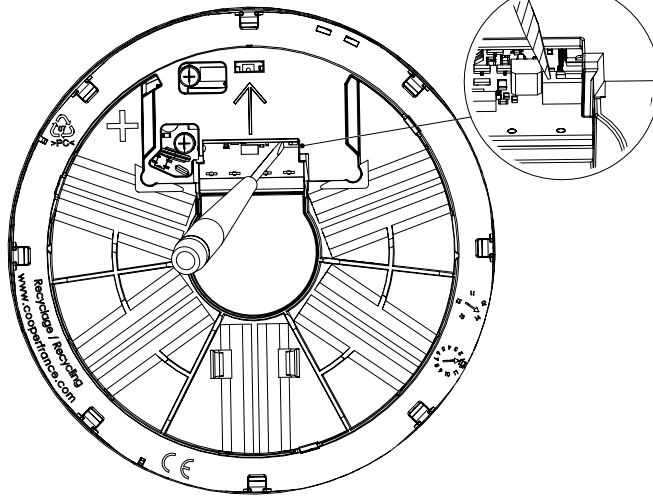


+ option Kit d'encastrement/False ceiling kit/Deckeneinbau-Kit

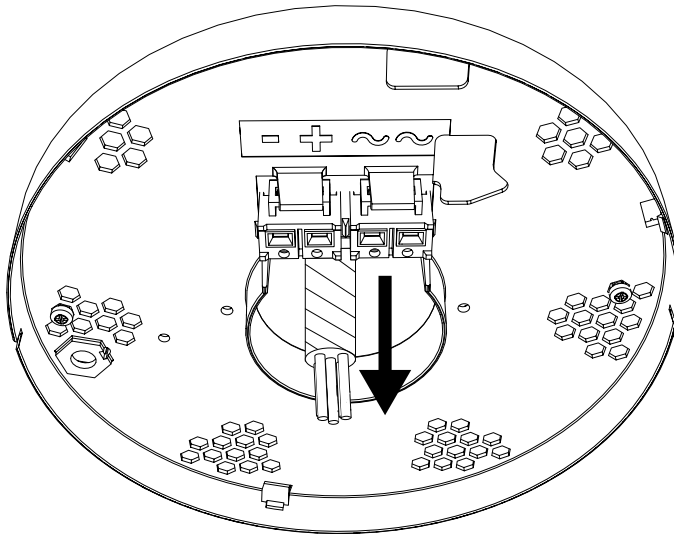
LUM10541/
LUM10541 COL



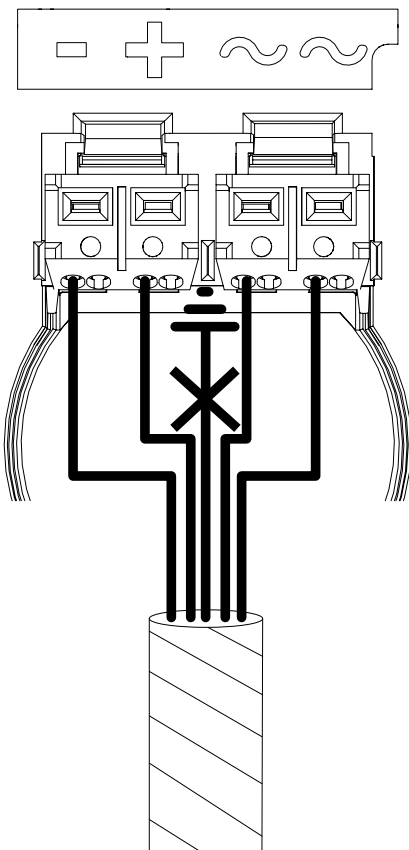
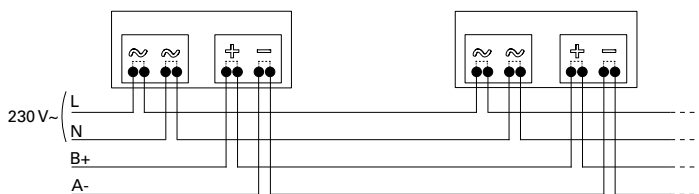
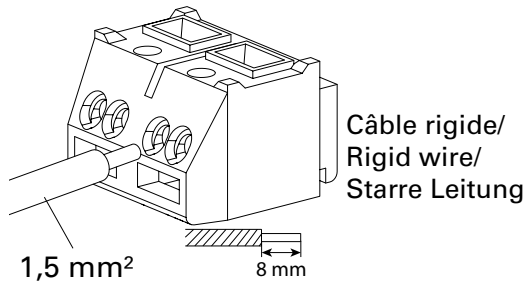
2 a.



b.

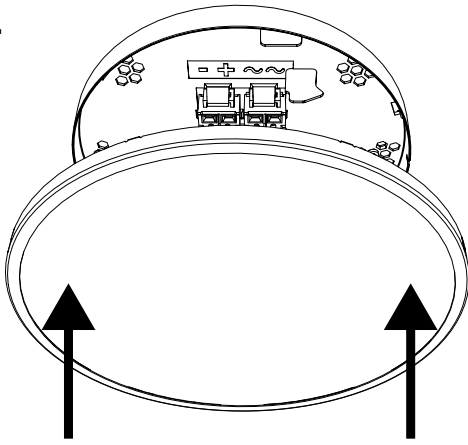


c.

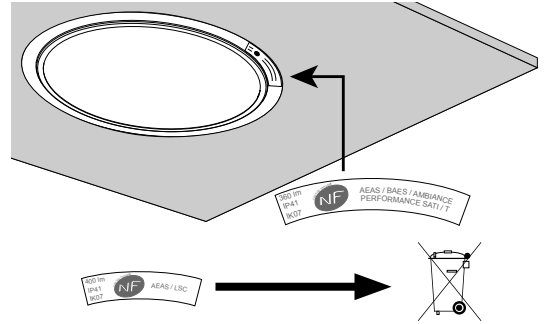


3

a.



b. option LUM10541/
LUM10541 COL

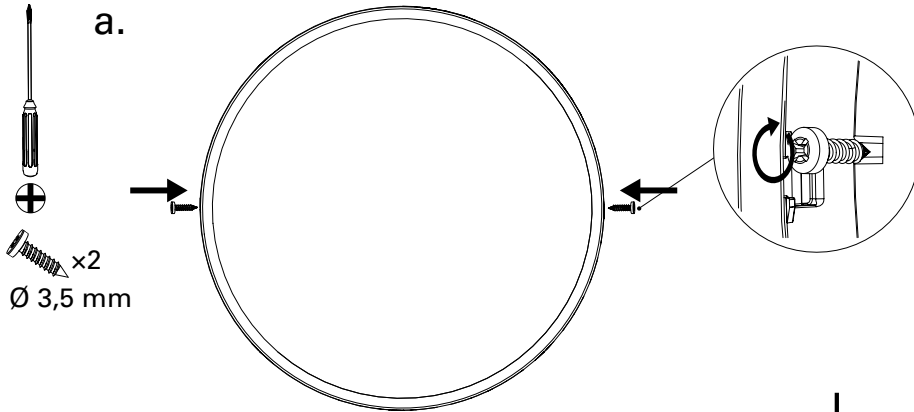


FR : www.recylum.com

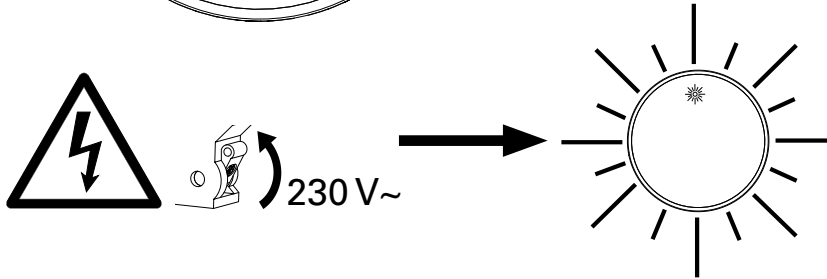
4

IK07

a.

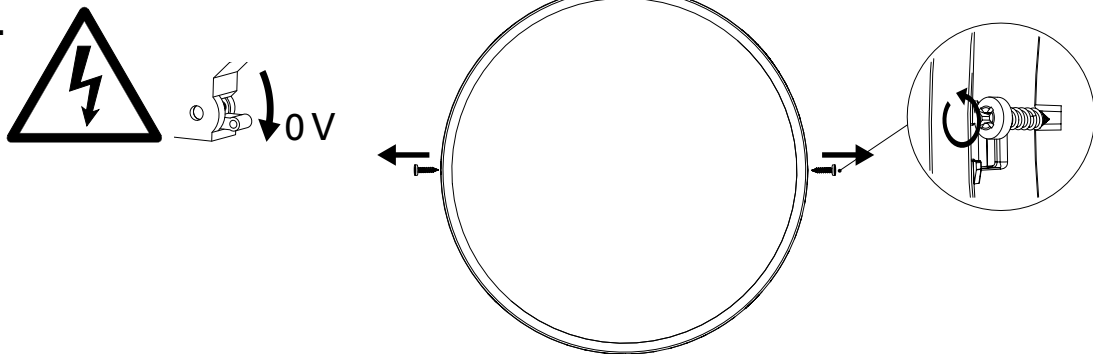


b.

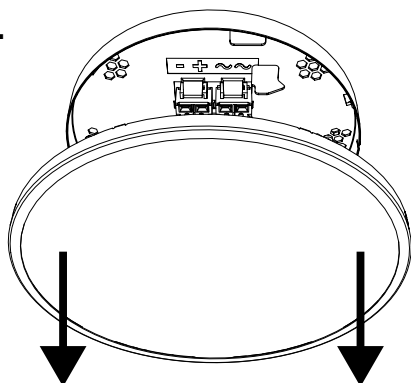


Démontage/Disassembling/Demontage

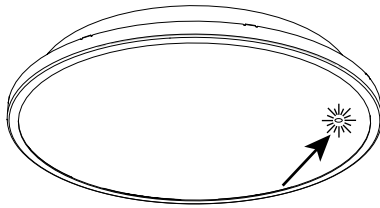
a.



b.



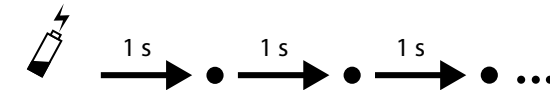
Autotest / SATI



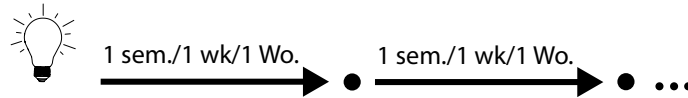
V/G/Gr		OK
V/G/Gr		Test
V/J / G/Y / Gr/Ge		·)))))) com/com/kom
J/Y/Ge		2 s
J/Y/Ge		0,5 s

Test

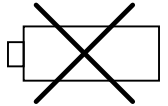
charge/charge/Ladung



lampe/lamp/Lampe

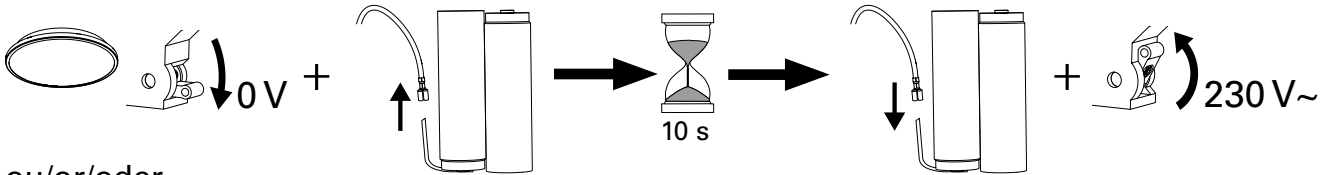


batterie/battery/Batterie

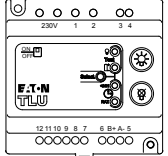


À remplacer/
To be replaced/
Zu ersetzen Ref. LUM11054

Programmation de l'heure des tests/Test hour programming/Testdatumprogrammierung



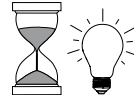
ou/or/oder



TLU
LUM10312



NF

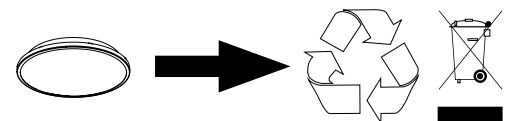


EN

FR



			h	lm	U	P		
PLANETE 400 DISC ADR CGLINE+	LUM17144	T16003	1	360 lm 8 x LED 3 V 180 mA	230 VAC 50-60 Hz	1,5 W		
Vis inviolable/Anti-theft screw/Diebstahlschutzschraube	LUM10490						EN 60598.1 EN 60598.2.22	
Kit de suspension/Safety hanging system/Pendelsatz	CAP008893						NFC 71801 C 71820-1 (NFEN 62034) NF 413	



FR : www.recylum.com

