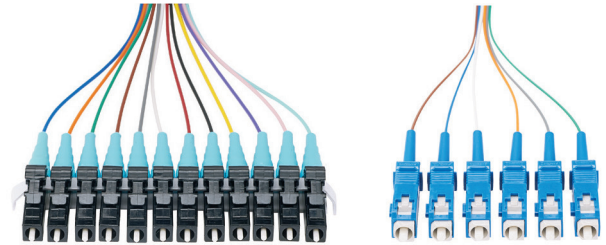


Opti-Core® 900-micron Buffered Fiber Optic Pigtail Sets

technical information

The 900-micron buffered fiber pigtail sets are provided in packages of 6 or 12 strands with individual buffer colors following either the EIA/TIA 598-C or the IEC 60304 color scheme. 900-micron buffered fiber pigtail sets are available in OS2, OM3, OM4 and OM5 fiber types to meet the demands of today's high speed Ethernet or Fibre Channel networks.



applications

Pre-terminated 900-micron buffered fiber optic pigtail sets are color coded to facilitate easy fiber identification when fusion splice terminating to tight buffered fiber cables. Pigtail sets are ideal for use in entry facilities, enclosures and wherever large numbers of fusion splices are needed.

construction

Fiber count:	Simplex (1-fiber) Tight buffered	
Fiber jacket:	No Jacket 900um Buffered Fiber	
Fiber types:	Singlemode: OS2 Multimode: OM3 OM4 OM5	
Connector types:	Simplex LC, LC/APC, SC, SC/APC	
Buffer color:	EIA/TIA 598-C	IEC 60304
	Blue	Red
	Orange	Green
	Green	Blue
	Brown	Yellow
	Slate	White
	White	Grey/Slate
	Red	Brown
	Black	Violet
	Yellow	Turquoise/Aqua
	Violet	Black
	Rose	Orange
	Aqua	Pink/Rose

physical properties

Cable outside diameter (OD):	900 micron
Connector cable retention:	50N @ 0°C 19.4N @ 90°C
Connector durability:	500 cycles
Bend radius, minimum:	0.9mm: 9mm

environmental properties

Storage and shipping temperature:	-40°C to 70°C
Operating and installation temperature:	-20°C to 70°C

optical properties

Connector insertion loss:	0.25dB max. (Multimode - Standard IL) 0.35dB max. (LC singlemode) 0.50dB max. (SC singlemode) 0.30dB max. (LC & SC APC OS2)
Connector return loss:	26dB min. (OM3, OM4, OM5) 55dB min. (OS2) 65dB min. (OS2 LC & SC APC versions)

standards

	Meets or exceeds ISO/IEC 11801, TIA/EIA-568-C.3, TIA-604-3 (FOCIS-3), TIA-604-10 (FOCIS-10)
Restriction of Hazardous Substances (RoHS) Compliance:	All patch cord components meet the requirements of Directive 2002/95/EC.

Opti-Core® 900-micron Buffered Fiber Optic Pigtail Sets

part number

Example: FXTBN1NNSZM001 - OM3 1-Fiber 900um Buffered Patch Cord No Jacket LC to Pigtail Std. IL, Set of 12 with Buffer Colors Per EIA/TIA 568 - 1 Meter

Character	1	2	3	4	5	6	7	8	9	10	11	12	13	14	15
Example	F	X	T	B	N	1	N	N	N	S	Z	M	0	0	1

1 – Fiber

F = Fiber

2 – Fiber Type

9 = OS2
X = OM3
Z = OM4
W = OM5

3 – Fiber Count

6 = 6 - fiber pigtails
T = 12 - fiber pigtails

4 – Cable Type

B = 900µm buffer

5 – Jacket Type

N = (No Jacket) 900µm Buffered Fiber

6 – Connector Type - End A

1 = LC Simplex
3 = SC Simplex
A = SC/APC
B = LC/APC

7 – Connector Variant

N = No variant

8 – Connector Type - End B

N = None; pigtail

9 – Connector Variant

N = No variant

10 – Performance/Construction

S = Standard IL

11 – Other

Y = Colors ordered per IEC 60304
Z = Colors ordered per EIA/TIA 598-C

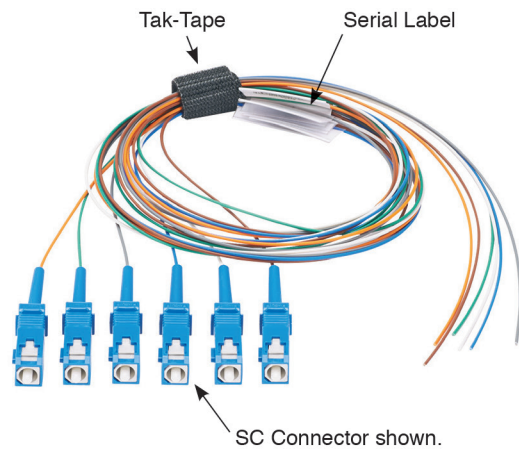
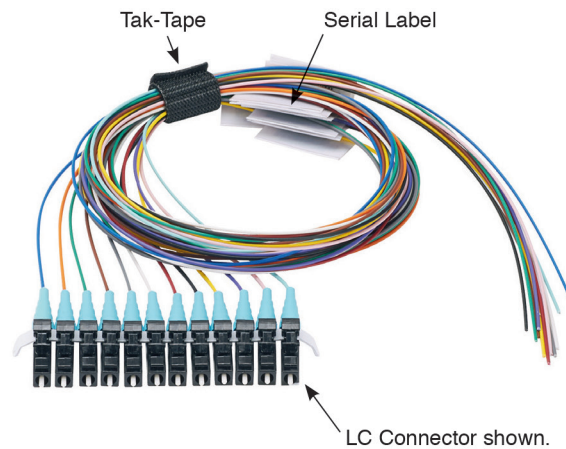
12 – Length, Unit

M = Meters

13, 14, 15 – Length

1-3

900-micron buffered fiber optic pigtail sets detail



Contact Panduit for other available options.

WORLDWIDE SUBSIDIARIES AND SALES OFFICES

PANDUIT US/CANADA
Phone: 800.777.3300

PANDUIT EUROPE LTD.
London, UK
Phone: 44.20.8601.7200

PANDUIT SINGAPORE PTE. LTD.
Republic of Singapore
Phone: 65.6305.7575

PANDUIT JAPAN
Tokyo, Japan
Phone: 81.3.6863.6000

PANDUIT LATIN AMERICA
Guadalajara, Mexico
Phone: 52.33.3777.6000

PANDUIT AUSTRALIA PTY. LTD.
Victoria, Australia
Phone: 61.3.9794.9020

For a copy of Panduit product warranties, log on to www.panduit.com/warranty

PANDUIT®

For more information
Visit us at www.panduit.com
Contact Customer Service by email: cs@panduit.com
or by phone: 800.777.3300

© 2022 Panduit Corp.
ALL RIGHTS RESERVED.
FBSP139-SA-ENG
12/2022