



Start-up priority change relay.  
Possible starting of stand-by motor. Plug-in version  
CSP2E  
Start-up priority change relay.  
Possible starting of stand-by motor

Product designation

Product type designation

Function

**Auxiliary supply**

Supply voltage Type	Single voltage		
Rated auxiliary supply voltage Us			
	AC		
		min	VAC
			110
Operating voltage range			0.85...1.1 Us
Rated frequency		Hz	50/60
Power consumption Max		VA	5
Power dissipation Max		W	3

**Relay outputs**

Number of relays	Nr.	2
Relay state		Normally de-energised, energises at tripping
Contact arrangement		2 x 1NO-SPST contact
Rated operational voltage AC (IEC)	VAC	250
IEC Conventional free air thermal current Ith	A	5
UL/CSA and IEC/EN 60947-5-1 designation		B300
Electrical life (with rated load)	cycles	10 <sup>5</sup>
Mechanical life	cycles	30x10 <sup>6</sup>

**Indications**

Indication		1 green LED for power on 1 red LED for relay state
------------	--	--

**Connections**

Terminals type	plug-in
----------------	---------

**Insulations**

Rated insulation voltage Ui	V	250
Rated impulse withstand voltage Uimp	kV	4
Operating frequency withstand voltage	kV	2.5

**Ambient conditions**

Temperature	Operating temperature
-------------	-----------------------

min	°C	-20
max	°C	+60

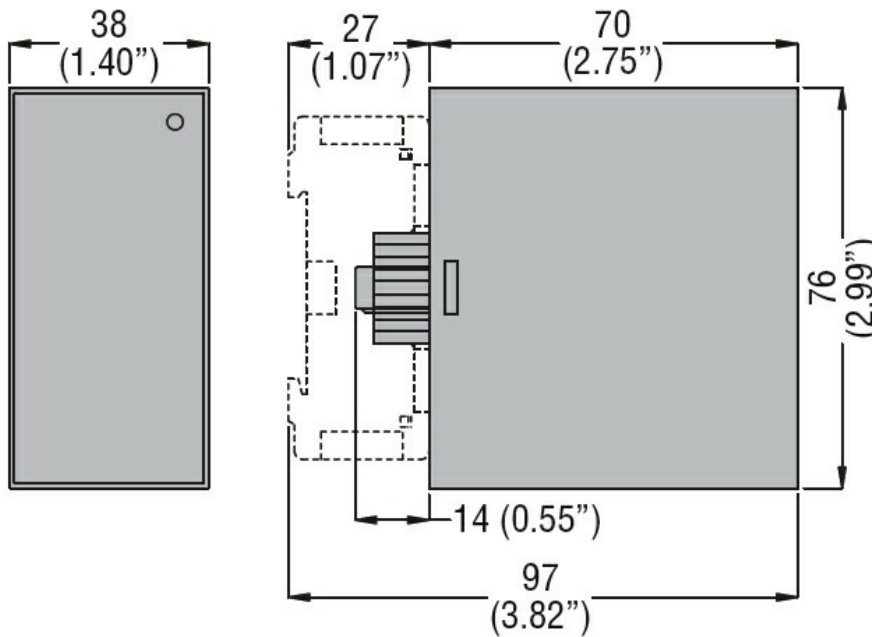
Storage temperature

min	°C	-30
max	°C	+80

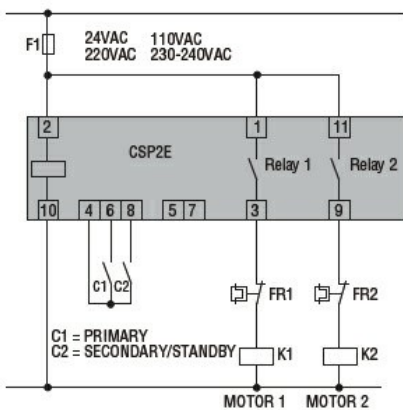
### Housing

Execution	11-pin plug-in housing (socket S11)
Material	Self-extinguishing polycarbonate
Mounting	11-pin plug-in housing (socket S11)
IEC degree of protection	IP30
Dimensions (W x H x D)	mm 38 x 76 x 70
Weight	g 150

### Dimensions



### Wiring diagrams



### Certifications and compliance

Compliance

IEC/EN 60255-5

Certificates

EAC

ETIM classification

ETIM 8.0

EC001447 - (Fill)  
level monitoring  
relay