


Part number

# SQV 3265.5



Interlocked switched socket-outlet, SQV series, 3 poles + N + PE, 6 h (red), 32 A, 200/346 ÷ 240/415 V, sectionable fuse carrier 10 x 38 mm

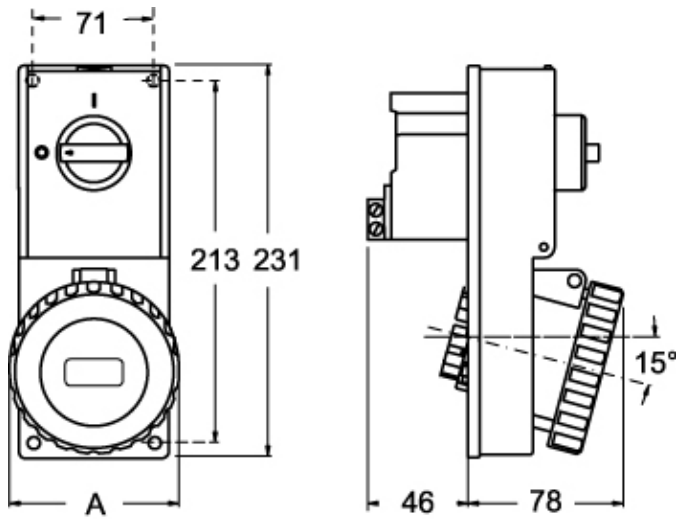
Product description		Material properties	
<b>Product type</b>	Interlocked switched socket-outlet	<b>Colour</b>	RAL 7035 grey, RAL 3000 red
<b>Series</b>	SQV		Compliant with exemption 6(c): copper alloy containing up to 4% lead by weight
<b>N. of poles</b>	3 poles + N + 	<b>RoHs conformity</b>	6(c): copper alloy containing up to 4% lead by weight
<b>Clock position</b>	6	<b>China RoHs - EFUP</b>	50
<b>Size</b>	Socket fixing centre distance 88 x 230 mm	<b>REACH SVHC substances</b>	Yes Lead
<b>Specification</b>	Sectionable fuse carrier 10 x 38 mm	<b>SCIP number</b>	F6799547-ab84-42f2-938f-233ba663766d
Technical data		Approvals / Standards	
<b>Current</b>	32 A	<b>Reference standard</b>	EN 60309-1, -2 e -4
<b>Voltage</b>	200/346 ÷ 240/415 V	General ordering information	
<b>IP degree of protection</b>	IP55	<b>EAN13 code</b>	8015747088817
Further technical details		Packaging Information	
<b>Weight</b>	743,00 g	<b>Packaging length</b>	380,00 mm
<b>Operating temperature range (min, max)</b>	-25°C ... +40°C	<b>Packaging height</b>	250,00 mm
<b>IK rating (impact degree of protection)</b>	IK08	<b>Packaging width</b>	295,00 mm
		<b>Packaging weight</b>	7,80 kg
		<b>Packaging volume</b>	28,03 dm <sup>3</sup>
		<b>Packaging description</b>	Carton box
		<b>Packaging quantity</b>	9 Pcs
		<b>Packaging EAN code</b>	8015747088824
		<b>Sub-packaging weight</b>	0,87 kg
		<b>Sub-packaging description</b>	Plastic packaging
		<b>Sub-packaging quantity</b>	1 Pcs
		<b>Sub-packaging EAN barcode</b>	8015747088831

Part number

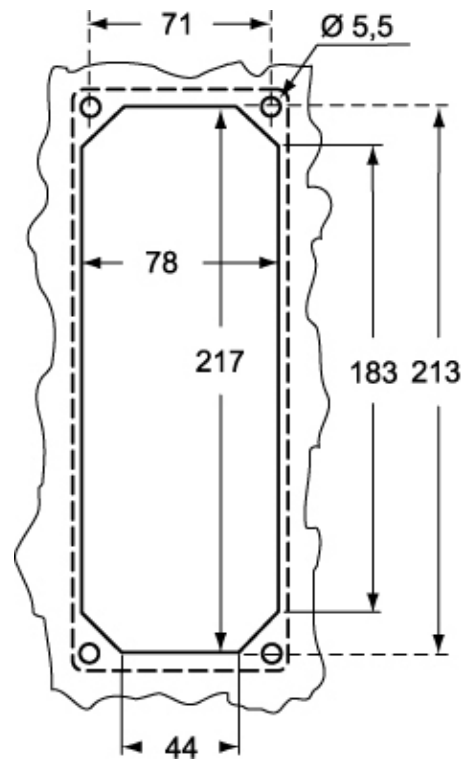
# SQV 3265.5



Catalogue drawings



Catalogue drawings



SQV.5		A
32A	2P+⊕	92
	3P+⊕	92
	3P+N+⊕	100

## Notes

Dimensions shown in mm are not binding and may be changed without notice.