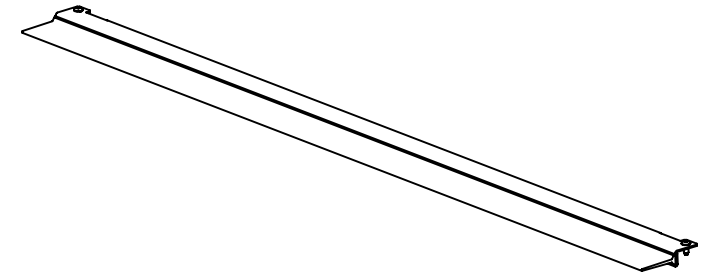
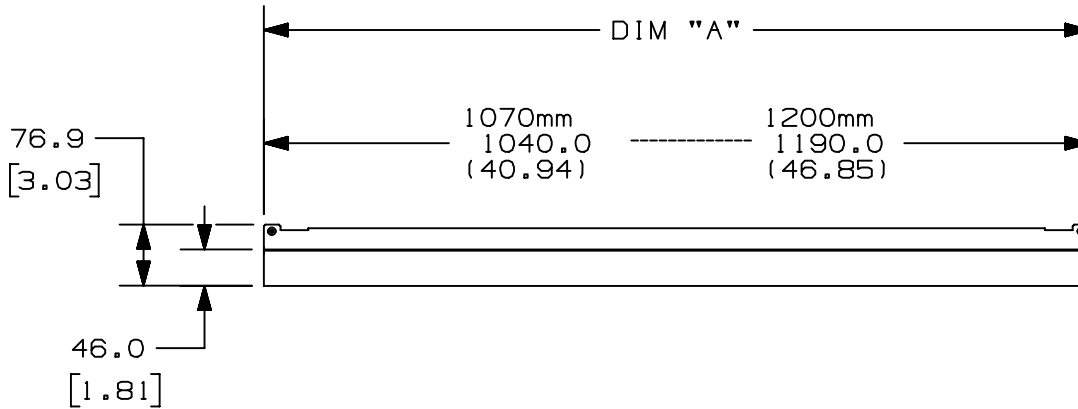


PANDUIT PART NUMBER	DESCRIPTION	"A" LENGTH	PAINT COLOR	WEIGHT
XG-FSEOR1	FLEXFUSION END OF ROW SEAL KIT-1070mm	1040.0 [40.94]	BLACK	0.8 Kg/EACH 1.76 LBS/EACH
XG-FSEOR2	FLEXFUSION END OF ROW SEAL KIT-1200mm	1190.0 [46.85]	BLACK	0.9 Kg/EACH 1.98 LBS/EACH

NOTES:

1. VISIT OUR ON-LINE CATALOG AT WWW.PANDUIT.COM FOR A LIST OF CURRENT PARTS APPLICABLE FOR USE WITH THIS PRODUCT.
2. DIMENSIONS IN PARENTHESSES ARE ENGLISH (in).
3. HEIGHT RANGE OF FLOOR SKIRT IS BETWEEN 25.4mm (1.0") AND 38mm (1.5") FROM THE FLOOR.
4. PARTS SUPPLIED:
 (1)-SIDE FLOOR SEAL BRACKET
 (1)-FLAP SEAL
 (2)-M5X0.8 12MM BUTTON HEAD SCREW
 (1) INSTALLATION INSTRUCTION SHEET



ISO VIEW

00A	9/14/20	LEE	MSH	ELE	DRAWING RELEASE				V09002EY/00
REV	DATE	BY	CHK	APR	DESCRIPTION				ECN

TITLE FLEXFUSION END OF ROW FLOOR SEAL KIT (XG-FSEOR*) CUSTOMER DRAWING										
ITEM REVISION NAME 00464NBP/00								PANDUIT		
DATASET FILE NAME 00464NBP_DC/00A										
MATERIAL: N/A								DRAWING NUMBER: 00464NBP-DC		
DRAWN BY LEE			DATE 9/14/20		CHK MSH		SCALE NONE		SHT 1 OF 1	SIZE A