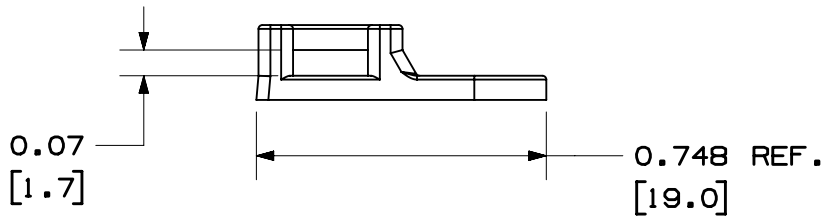
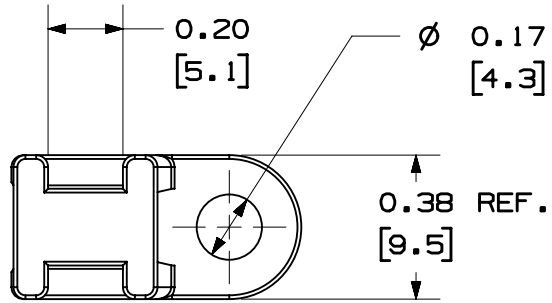


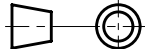

THIS COPY IS PROVIDED ON A RESTRICTED BASIS AND IS NOT TO BE USED IN ANY WAY DETRIMENTAL TO THE INTERESTS OF PANDUIT CORP.

PANDUIT PART NUMBER	RECOMMENDED FASTENER
SSMTA	#8 [M4] SCREW



NOTE:

- SEE WWW.PANDUIT.COM FOR PART NUMBER SUFFIX DESIGNATION FOR PACKAGE SIZE, PART MATERIAL, PART COLOR AND THIRD PARTY RECOGNITION OR COMPLIANCE.
- DIMENSIONAL TOLERANCES ARE: IN [mm]
 - .x ± 0.05 [1.3]
 - .xx ± 0.02 [0.5]
 - .xxx ± 0.010 [0.25]
 ANGLES ±5°

PART NUMBER		SSMTA	
TITLE			
STRONGHOLD ANCHOR MOUNTS SCREW APPLIED		CUSTOMER DRAWING	
ITEM REVISION NAME		00586EBH/00	
DATASET FILE NAME		00586EBH_DC/00A	
 THIRD ANGLE PROJECTION			
MATERIAL		DRAWING NUMBER	
NYLON 6/6		00586EBH_DC	
DRAWN BY	DATE	CHK	SCALE
JBN	02-03-20	BMAG	NONE
SHEET 1 OF 1			SIZE
			A

REV	DATE	BY	CHK	APR	DESCRIPTION	ECN
00A	03-10-20	JBN	BMAG	RGB JHAC	RELEASE	077323

2

1

A-SIZE CUSTOMER

A

A

B

B