



Expansion modules for flush-mount products - various functionalities  
EXP1016

Product designation

Product type designation

**General characteristics**

Description

Capacitor bank protection

Functions

Capacitor bank protections

Compatibility with LOVATO Electric product

Automatic power factor controllers

DCRG8

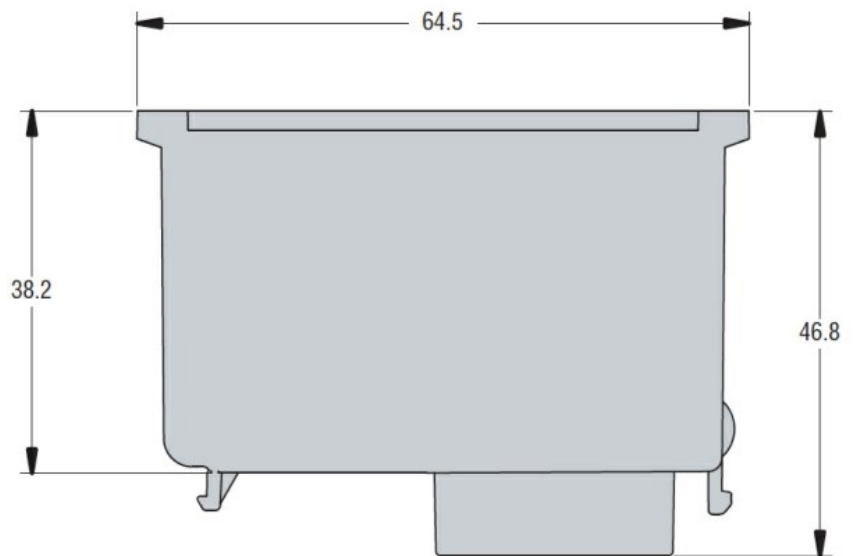
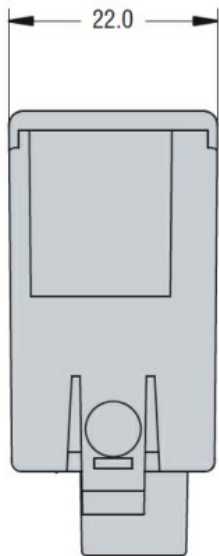
Yes

**Mechanical features**

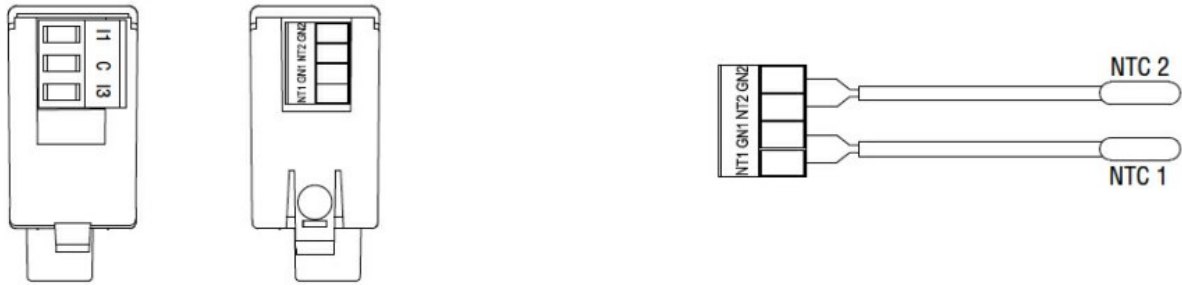
Weight

g 80

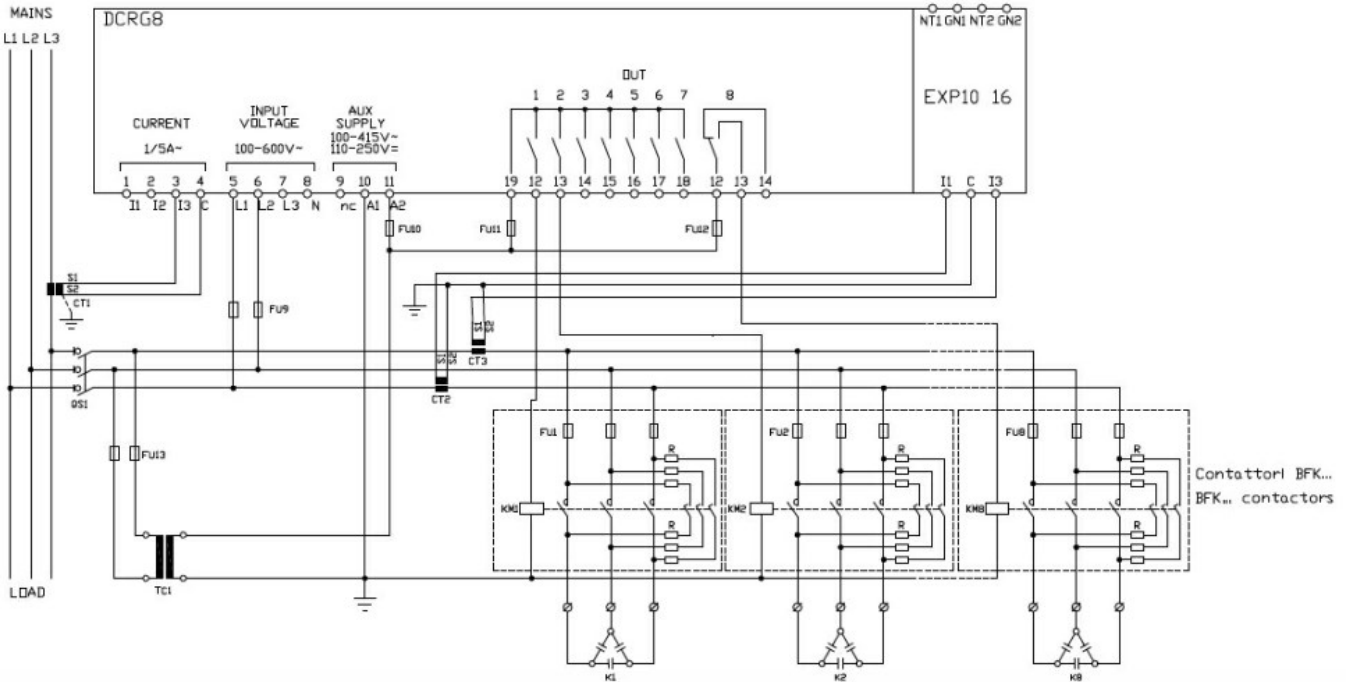
**Dimensions**



**Wiring diagrams**



Harmonic current measurements / Misura correnti armoniche



Certifications and compliance

Compliance

CSA C22.2 n° 14  
IEC/EN 61000-6-2  
IEC/EN 61000-6-3  
IEC/EN 61010-1  
UL508

Certificates

cULus  
EAC

ETIM classification

ETIM 8.0

EC002498 -  
Accessories/spare  
parts for low-  
voltage switch  
technology