



THTL-1ABSB0213MZ

THTL

RESISTANCE THERMOMETER

SICK
Sensor Intelligence.



Illustration may differ



Ordering information

| Type | Part no. |
|------------------|----------|
| THTL-1ABSB0213MZ | 6047820 |

Other models and accessories → www.sick.com/THTL

Detailed technical data

Features

| | |
|--|---|
| Measuring range | -50 °C ... +250 °C |
| Sensor element | Pt100, Pt1000 (for 4 mA ... 20 mA version) |
| Output signal | 4 mA ... 20 mA, 2-wire |
| Maximum ohmic load R_A | $R_A \leq (L^+ - 10 \text{ V}) / 0.023 \text{ A}$ [Ohm] |

Mechanics/electronics

| | |
|------------------------------------|--|
| Process connection | Straight pipe (DIN EN ISO 1127 and DIN 11866), row B, for welding |
| Nominal width | DN 21.3 |
| Wetted parts | Stainless steel 1.4435 / 316L, $R_a \leq 0.8 \mu\text{m}$ |
| Pressure resistance | Max. 25 bar at room temperature |
| Housing material | Stainless steel (CrNi) |
| Connection type | M12 round connector x 1, 4-pin ¹⁾ |
| Enclosure rating | IP67 ²⁾ IP69 ²⁾ |
| Supply voltage | 10 V DC ... 35 V DC |
| Maximum current consumption | Ca. 30 mA |
| Electrical safety | Protection class: III, dielectric strength: 500 V AC, Reverse polarity protection: L ⁺ to M |
| Protection class III | ✓ |
| CE-conformity | 2004/108/EC, EN 61326-2-3 |
| RoHS certificate | ✓ |
| Initialization time | Max. 4 s |

¹⁾ The enclosure rating classes specified only apply while the thermometer is connected with female connectors that provide the corresponding enclosure rating.

²⁾ IP enclosure rating as per IEC 60529.

Performance

| | |
|-----------------------------------|--|
| Accuracy of sensor element | Class A according to IEC 60751 ¹⁾ |
| Transmitter accuracy | ± 0,25 K |

¹⁾ Class B (measuring range -50 °C ... -30 °C).

²⁾ Depending on sensor configuration, according to IEC 60751.

| | |
|------------------------------|--|
| Transmitter linearity | ≤ ± 0.1 % of span |
| Response time | t ₅₀ ≤ 3,2 s t ₉₀ ≤ 9,1 s ²⁾ |

¹⁾ Class B (measuring range -50 ° C ... -30 ° C).

²⁾ Depending on sensor configuration, according to IEC 60751.

Ambient data

| | |
|--|---|
| Ambient temperature | -40 °C ... +85 °C |
| Storage and transport temperature | -40 °C ... +85 °C |
| Shock resistance | 50 g, 6ms (according to IEC 60068-2-27) |
| Relative humidity | 100 % ¹⁾ |

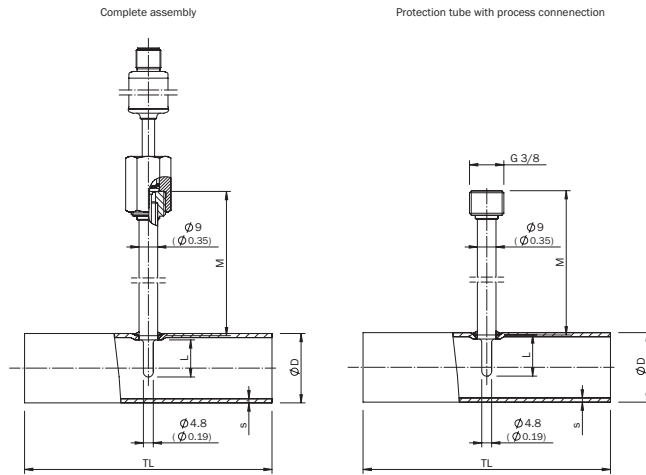
¹⁾ , Condensation allowed.

Classifications

| | |
|-----------------------|----------|
| eCl@ss 5.0 | 27200208 |
| eCl@ss 5.1.4 | 27200208 |
| eCl@ss 6.0 | 27200208 |
| eCl@ss 6.2 | 27200208 |
| eCl@ss 7.0 | 27200208 |
| eCl@ss 8.0 | 27200208 |
| eCl@ss 8.1 | 27200208 |
| eCl@ss 9.0 | 27200208 |
| eCl@ss 10.0 | 27200208 |
| eCl@ss 11.0 | 27200208 |
| eCl@ss 12.0 | 27200208 |
| ETIM 5.0 | EC002994 |
| ETIM 6.0 | EC002994 |
| ETIM 7.0 | EC002994 |
| ETIM 8.0 | EC002994 |
| UNSPSC 16.0901 | 41112211 |

Dimensional drawing (Dimensions in mm (inch))

Dimensional drawing



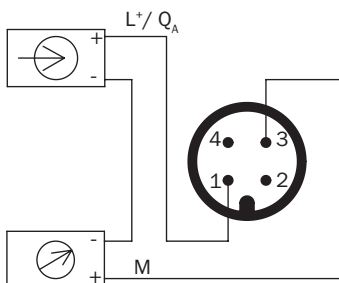
| Design | Ø D | s | TL | L | M | |
|---------------|---------|-------------|------------|--------------|-------------|-------------|
| Straight pipe | NW 17.2 | 17.2 (0.68) | 1.6 (0.06) | 68.0 (2.68) | 9.0 (0.35) | 48.0 (1.89) |
| | NW 21.3 | 21.3 (0.84) | 1.6 (0.06) | 72.0 (2.83) | 11.0 (0.43) | 46.0 (1.81) |
| | NW 26.9 | 26.9 (1.06) | 1.6 (0.06) | 110.0 (4.33) | 11.0 (0.43) | 46.0 (1.81) |
| | NW 42.4 | 42.4 (1.67) | 2.0 (0.08) | 130.0 (5.12) | 18.0 (0.71) | 39.0 (1.54) |

Application



Connection type

Plug M12 x 1, output signal 4 mA ... 20 mA



Recommended accessories

Other models and accessories → www.sick.com/THTL

| | Brief description | Type | Part no. |
|---|--|--------------------|----------|
| Plug connectors and cables | | | |
|  | Head A: female connector, M12, 4-pin, straight, A-coded Head B: Flying leads Cable: Sensor/actuator cable, PUR, halogen-free, unshielded, 2 m | YF2A14-020UB3XLEAX | 2095607 |
|  | Head A: female connector, M12, 4-pin, straight, A-coded Head B: Flying leads Cable: Sensor/actuator cable, PVC, unshielded, 2 m | YF2A14-020VB3XLEAX | 2096234 |
|  | Head A: female connector, M12, 4-pin, straight, A-coded Head B: Flying leads Cable: Sensor/actuator cable, PUR, halogen-free, unshielded, 5 m | YF2A14-050UB3XLEAX | 2095608 |
|  | Head A: female connector, M12, 4-pin, straight, A-coded Head B: Flying leads Cable: Sensor/actuator cable, PVC, unshielded, 5 m | YF2A14-050VB3XLEAX | 2096235 |
|  | Head A: female connector, M12, 4-pin, straight, A-coded Head B: Flying leads Cable: Sensor/actuator cable, PUR, halogen-free, unshielded, 10 m | YF2A14-100UB3XLEAX | 2095609 |
|  | Head A: female connector, M12, 4-pin, straight, A-coded Head B: Flying leads Cable: Sensor/actuator cable, PVC, unshielded, 10 m | YF2A14-100VB3XLEAX | 2096236 |
| | Head A: female connector, M12, 4-pin, straight, A-coded Head B: Flying leads Cable: Sensor/actuator cable, PVC, unshielded, 15 m | YF2A14-150VB3XLEAX | 2096237 |
|  | Head A: female connector, M12, 4-pin, angled, A-coded Head B: Flying leads Cable: Sensor/actuator cable, PUR, halogen-free, unshielded, 2 m | YG2A14-020UB3XLEAX | 2095766 |
|  | Head A: female connector, M12, 4-pin, angled, A-coded Head B: Flying leads Cable: Sensor/actuator cable, PVC, unshielded, 2 m | YG2A14-020VB3XLEAX | 2095895 |
|  | Head A: female connector, M12, 4-pin, angled, A-coded Head B: Flying leads Cable: Sensor/actuator cable, PUR, halogen-free, unshielded, 5 m | YG2A14-050UB3XLEAX | 2095767 |
|  | Head A: female connector, M12, 4-pin, angled, A-coded Head B: Flying leads Cable: Sensor/actuator cable, PVC, unshielded, 5 m | YG2A14-050VB3XLEAX | 2095897 |
|  | Head A: female connector, M12, 4-pin, angled, A-coded Head B: Flying leads Cable: Sensor/actuator cable, PUR, halogen-free, unshielded, 10 m | YG2A14-100UB3XLEAX | 2095768 |
|  | Head A: female connector, M12, 4-pin, angled, A-coded Head B: Flying leads Cable: Sensor/actuator cable, PVC, unshielded, 10 m | YG2A14-100VB3XLEAX | 2095898 |

SICK AT A GLANCE

SICK is one of the leading manufacturers of intelligent sensors and sensor solutions for industrial applications. A unique range of products and services creates the perfect basis for controlling processes securely and efficiently, protecting individuals from accidents and preventing damage to the environment.

We have extensive experience in a wide range of industries and understand their processes and requirements. With intelligent sensors, we can deliver exactly what our customers need. In application centers in Europe, Asia and North America, system solutions are tested and optimized in accordance with customer specifications. All this makes us a reliable supplier and development partner.

Comprehensive services complete our offering: SICK LifeTime Services provide support throughout the machine life cycle and ensure safety and productivity.

For us, that is “Sensor Intelligence.”

WORLDWIDE PRESENCE:

Contacts and other locations –www.sick.com