



Product designation	Reversing contactor
Product type designation	BGTP09

**Electrical features**

Maximum operating current ( $\leq 440V$ )	A	9
---	---	---

**Contact characteristics**

Operational current Ie	AC-3 ( $\leq 440V \leq 55^{\circ}C$ )	A	9
------------------------	---------------------------------------	---	---

Rated operational power AC-3 ( $T \leq 55^{\circ}C$ )	230V	kW	2.2
	400V	kW	4
	415V	kW	4.3
	440V	kW	4.5
	500V	kW	5

Built-in auxiliary contacts	NO	0
	NC	1

**UL technical data**

Maximum UL/CSA horsepower ratings single-phase	110V-120V	HP	0.5
	220V-240V	HP	1.5

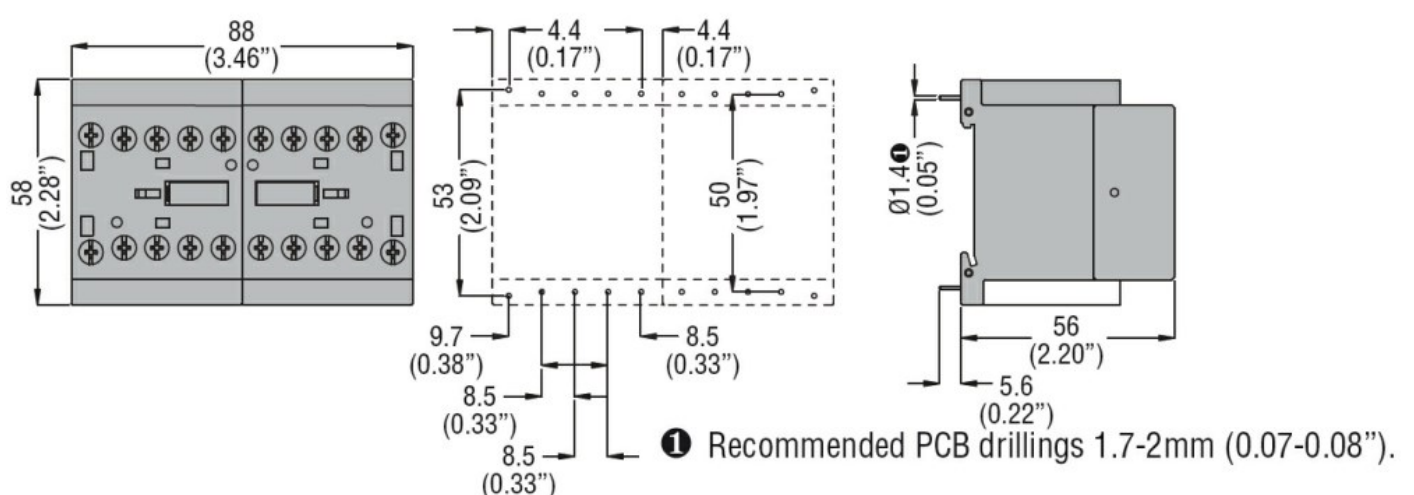
Maximum UL/CSA horsepower ratings three-phase, 3-pole	200V-208V	HP	2
	220V-240V	HP	3
	440V-480V	HP	5

**Mechanical features**

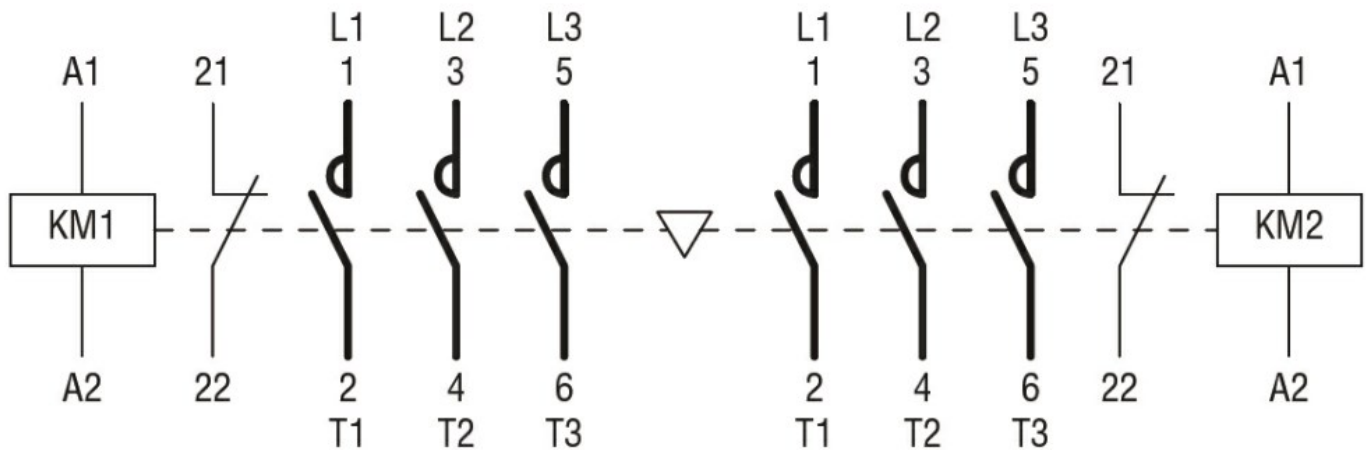
Terminals type	Clamp screw
----------------	-------------

Weight	g	460
--------	---	-----

**Dimensions**



**Wiring diagrams**



### Certifications and compliance

#### Compliance

IEC/EN 60947-1

IEC/EN 60947-4-1

UL508 CSA C22.2 n° 14

#### Certificates

cULus

### ETIM classification

ETIM 8.0

EC001037 -  
Motor  
starter/Motor  
starter  
combination