

Installing FLEX-SFQ Adapter into *QuickNet* SFQ Patch Panels

1. Remove FLEX-SFQ Adapter from individual carton and bag. Fig. 1 displays how FLEX-SFQ Adapter will look after removing from packaging.

NOTE: HD Flex LC Splice Cassette will NOT be included with FLEX-SFQ Adapter.

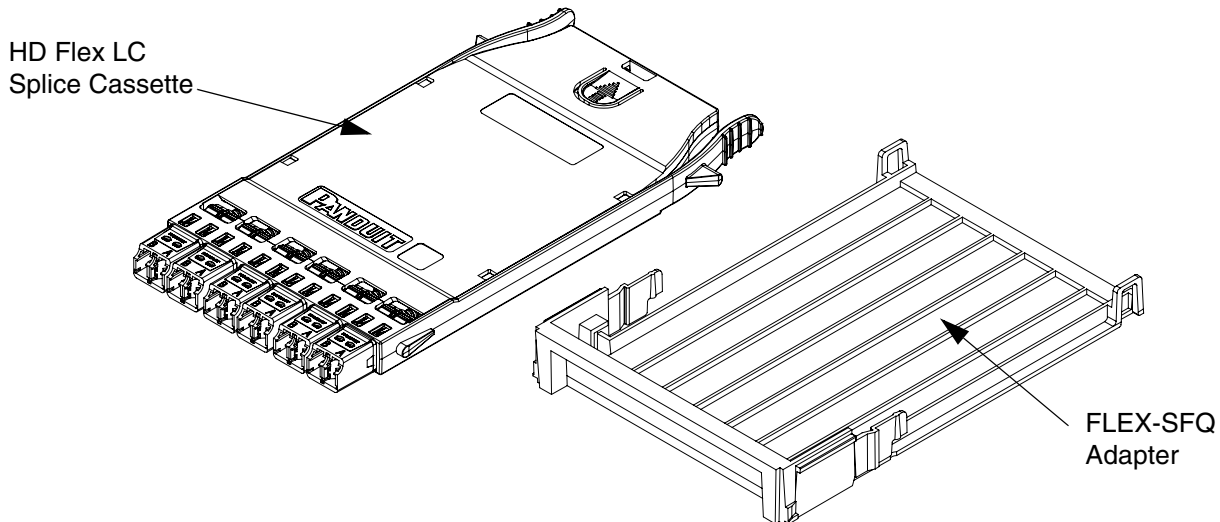


Fig. 1: FLEX-SFQ Adapter removed from packaging along with HD Flex LC Splice Cassette

2. Slide HD Flex LC Splice Cassette into FLEX-SFQ Adapter. The HD Flex LC Splice Cassette should slide easily on the ribs located on the bottom face of the FLEX-SFQ Adapter.

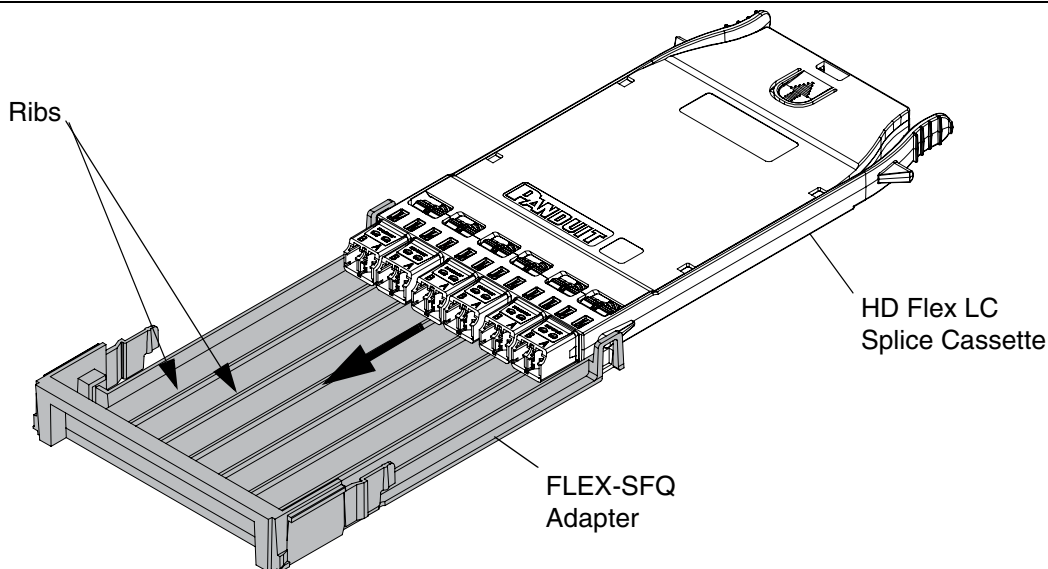


Fig. 2: HD Flex LC Splice Cassette being installed into FLEX-SFQ Adapter

3. HD Flex LC Splice Cassette will snap into place when HD Flex LC Splice Cassette rear ears are caught by arch structure on FLEX-SFQ Adapter. Front fins of HD Flex LC Splice Cassette will be under front shelf of FLEX-SFQ Adapter.

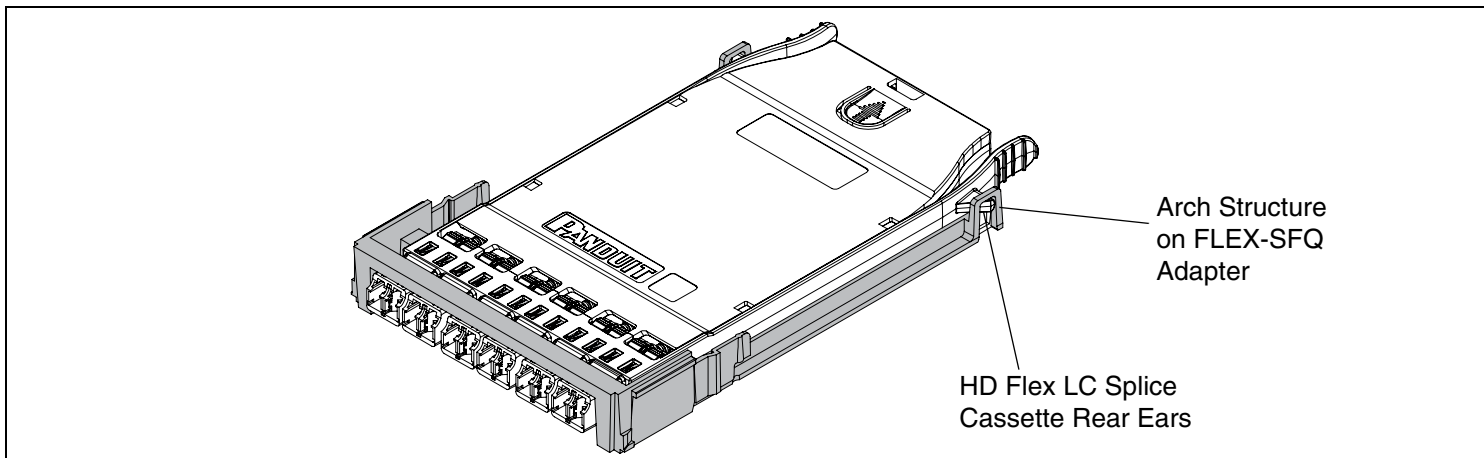


Fig. 3: HD Flex LC Splice Cassette fully installed into FLEX-SFQ Adapter

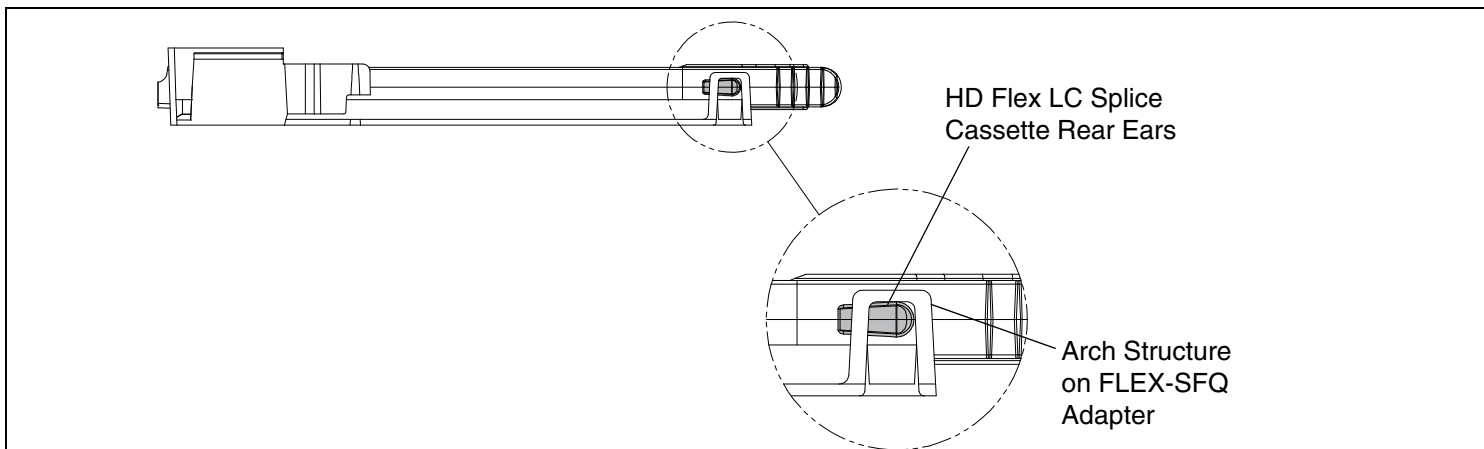


Fig. 4: HD Flex LC Splice Cassette rear ears snapped into arch structure on FLEX-SFQ Adapter

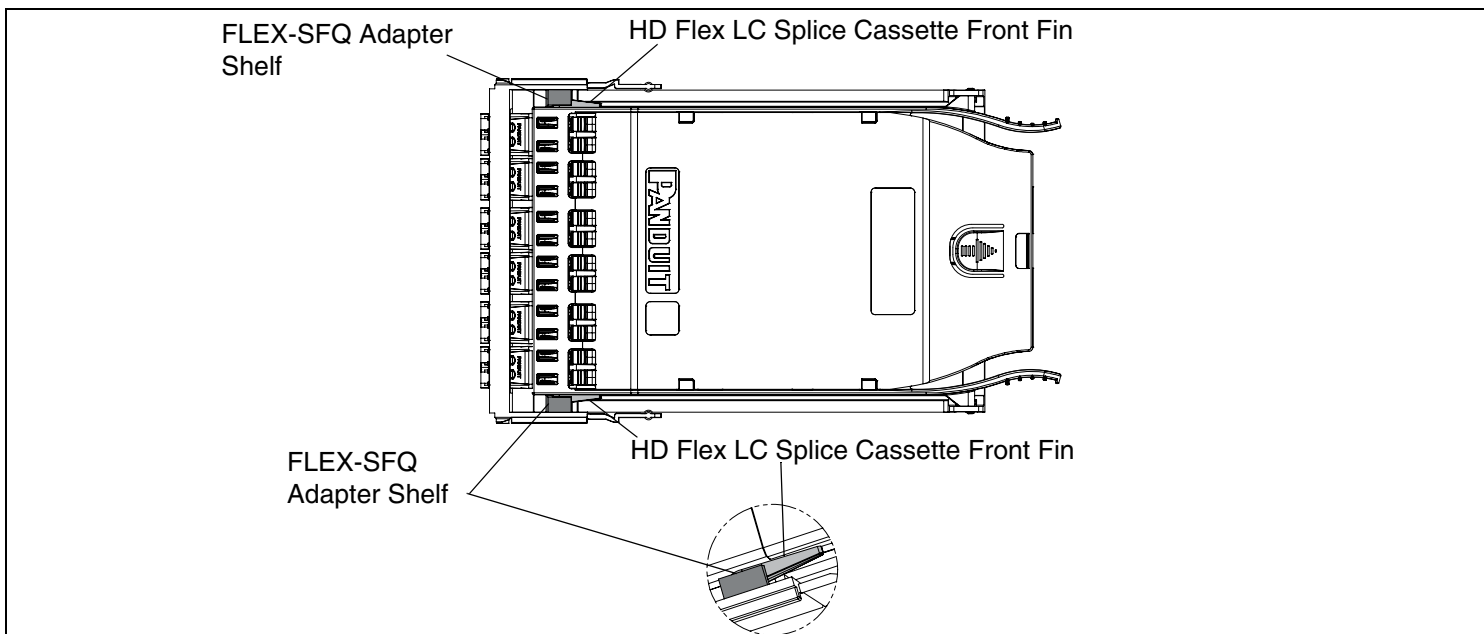
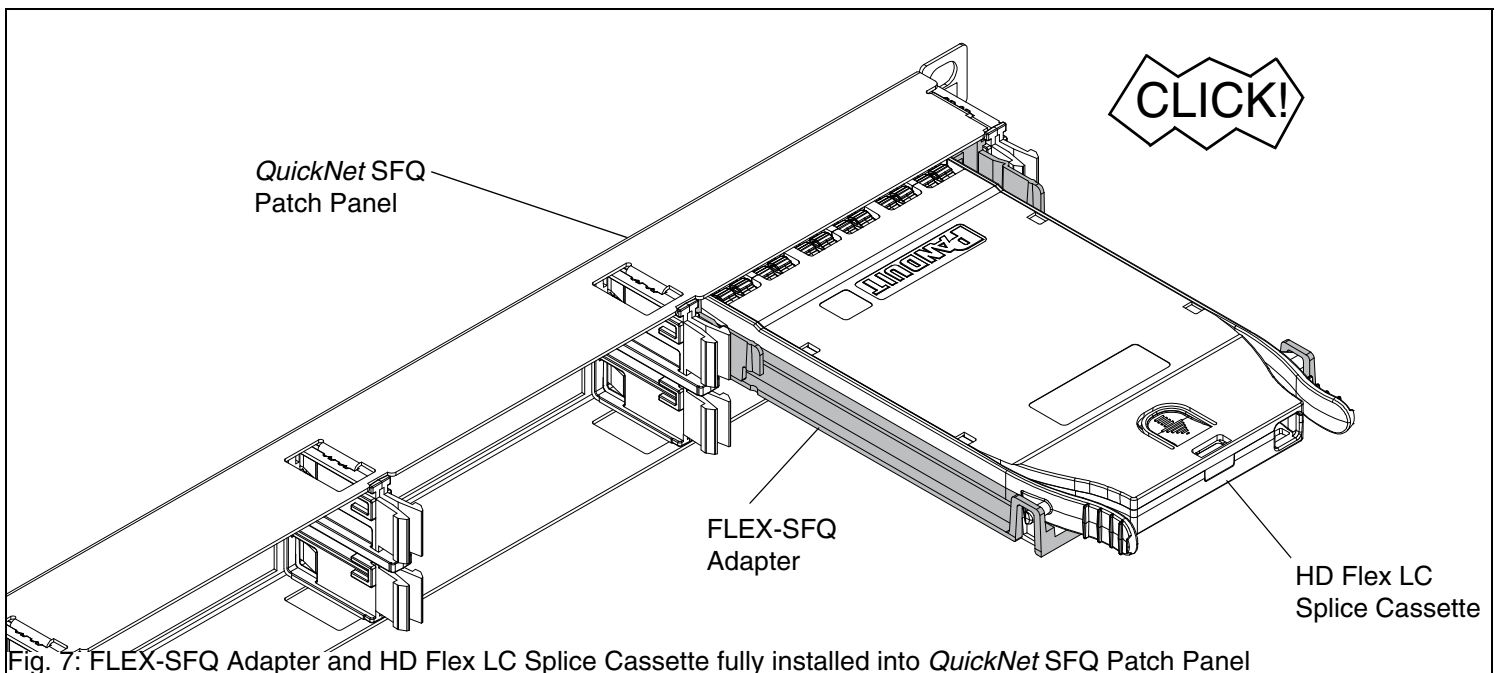
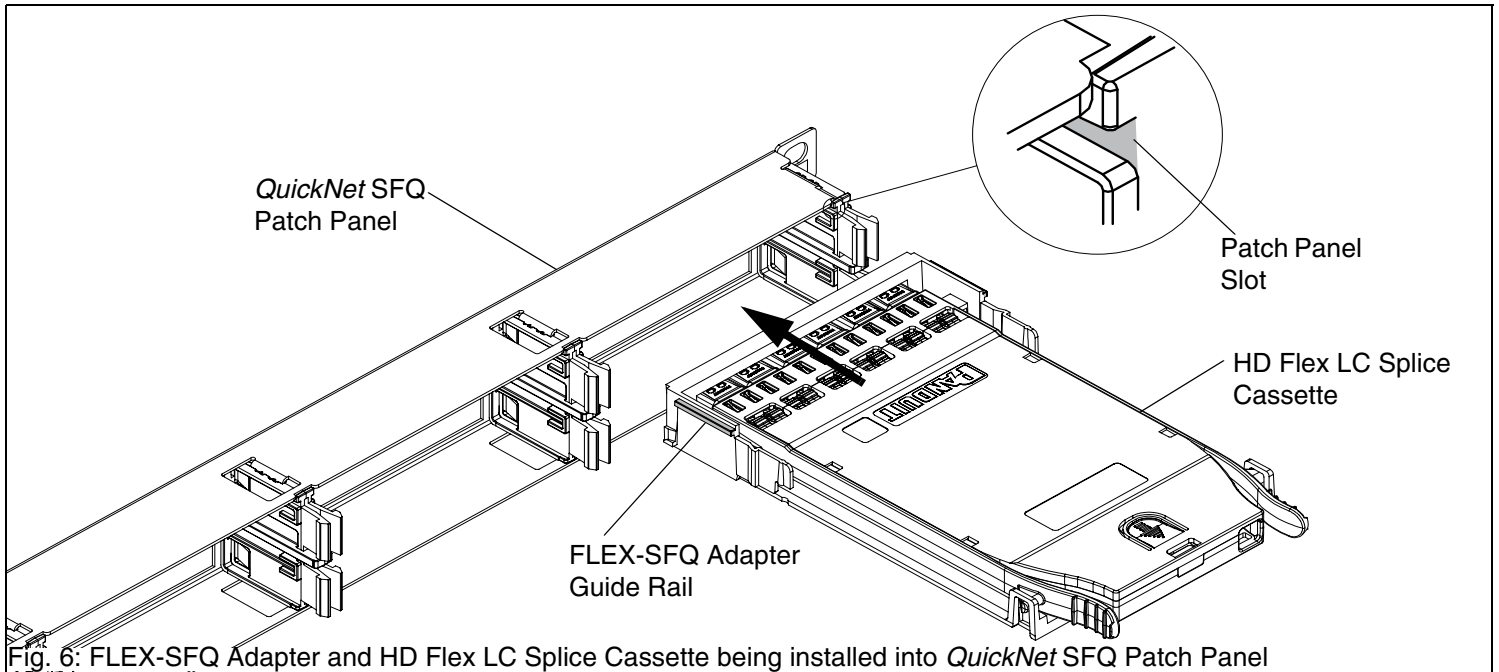


Fig. 5: HD Flex LC Splice Cassette front fins secured beneath FLEX-SFQ Adapter shelf features

4. Slide HD Flex LC Splice Cassette and FLEX-SFQ Adapter into *QuickNet* SFQ Patch Panel. Guide rails on FLEX-SFQ Adapters situate into slots on *QuickNet* SFQ Patch Panel. Slide until FLEX-SFQ Adapter snaps into place.



Removing FLEX-SFQ Adapter and HD Flex LC Splice Cassette from QuickNet SFQ Patch Panels

1. Depress fingers on HD Flex LC Splice Cassette to slide out HD Flex LC Splice Cassette from FLEX-SFQ Adapter.

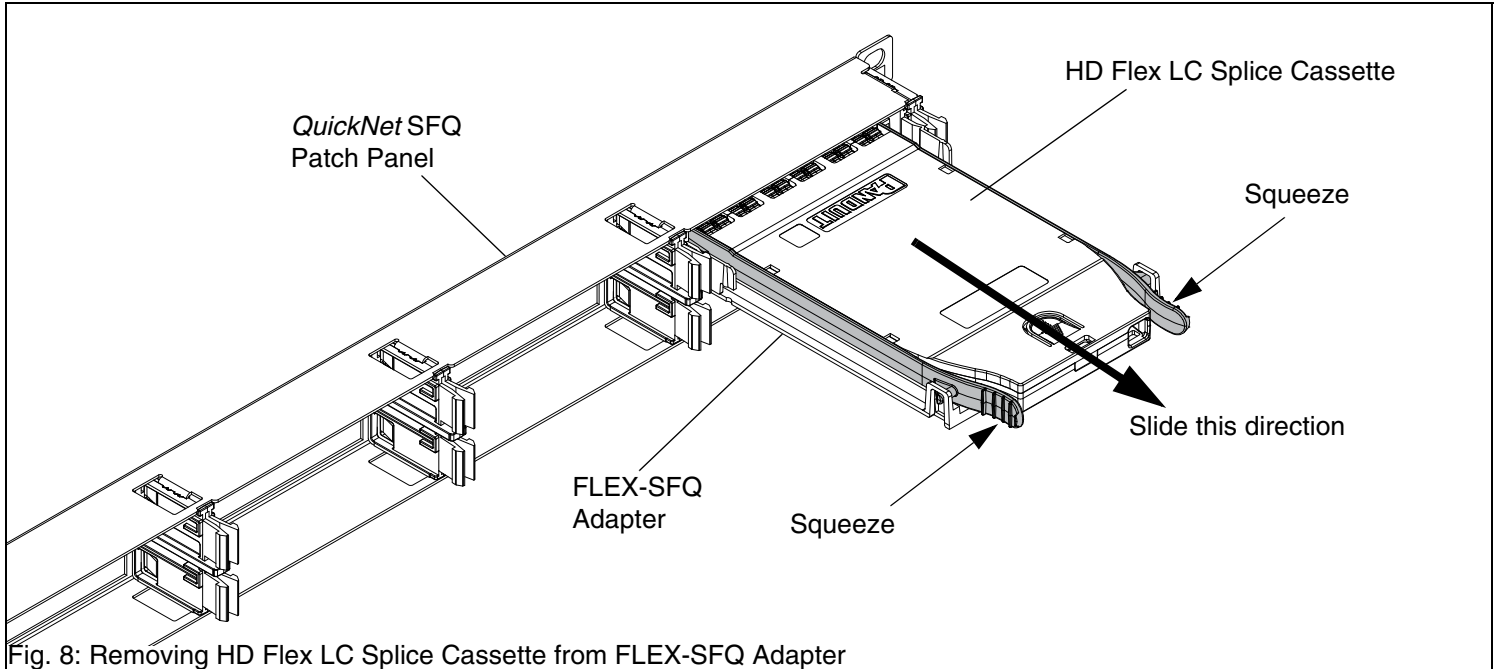


Fig. 8: Removing HD Flex LC Splice Cassette from FLEX-SFQ Adapter

2. Depress ears on FLEX-SFQ Adapter to slide out FLEX-SFQ Adapter from QuickNet SFQ Patch Panel.

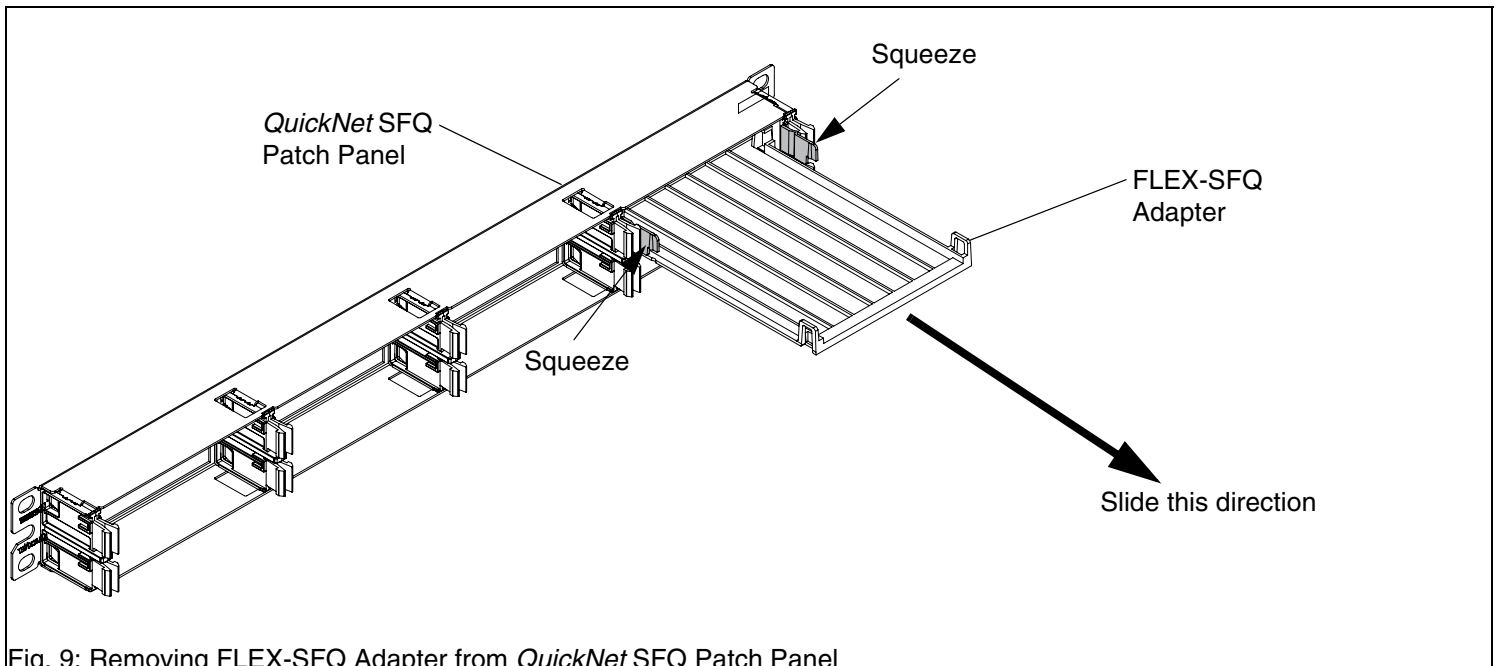


Fig. 9: Removing FLEX-SFQ Adapter from QuickNet SFQ Patch Panel