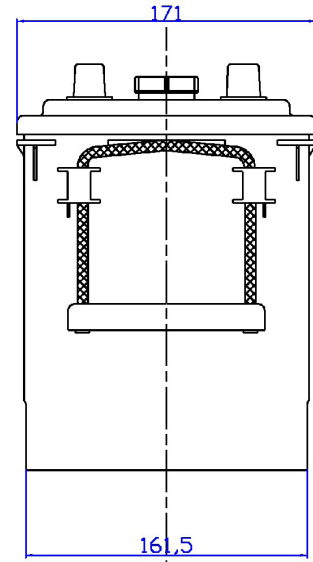
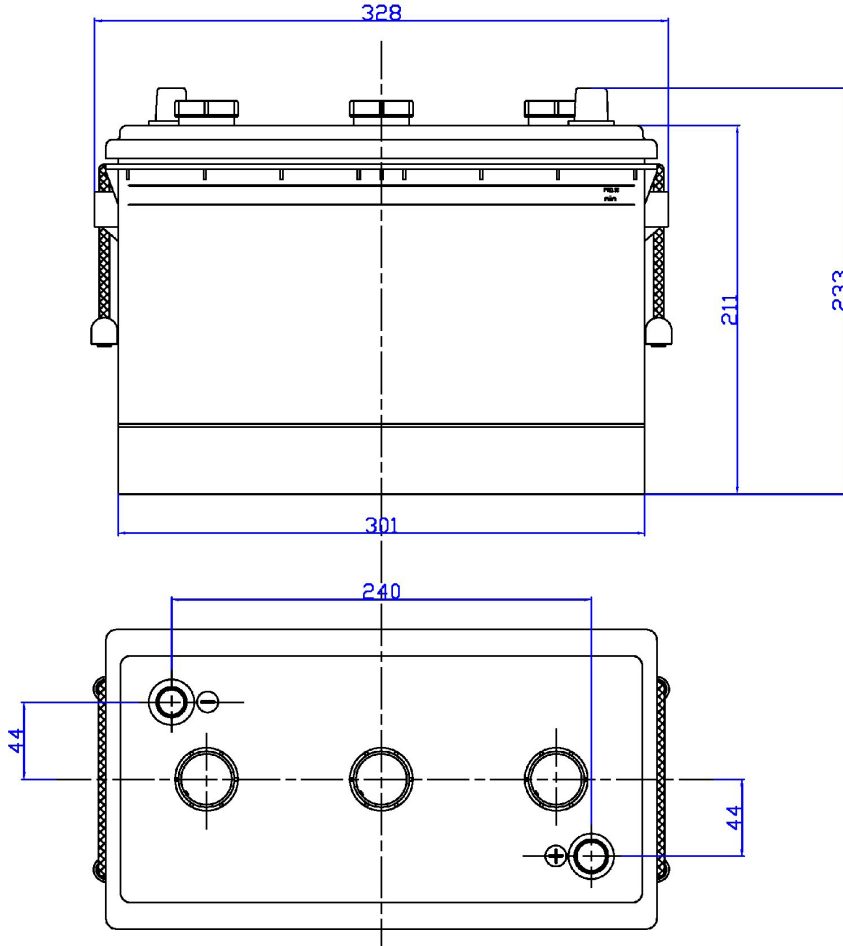


Central Article Code: M05090W01-A

ETN Code or Other: 913 001 000

Created: 07/09/2005

Modified: 07/07/2006



PERFORMANCES		CONTAINER	
Voltage (V):	6 V	Type:	M05 BLACK
C20 (Ah):	165.0 20 h	Hold Down:	B0
Rc (min):	0	H. D. Adapter:	No
Cranking (A):	900 EN	COVER	
Vibration:	V3 (35Hz/6g/20h)	Type:	Flat/Screw BLACK
Endurance:	E2 (90 cycles@50%)	Polarity:	ETN 0
Charge:	WET	Terminals:	EN taper post
Technology:	Vented/Floded	Terminal Adapter:	No
Grid :	Hybrid	SOCI:	No
WEIGHT AND STD. DIMENSIONS		Ventilation:	Independent
Battery Weight (kg):	25.00	Filter:	No
Volume acid (l):	0.00	Lateral Plug:	No
Length (mm):	330	PLUGS	
Width (mm):	174	Type:	3 x M27 BLACK
Height (mm):	234	HANDLES	
		Type:	2 x Rope (Flexible) BLACK
		OTHERS	
		Degassing Tube:	No