

COUDE 45 ° P31 RM H50 50 à 600
 FLAT BEND 45 ° P31 RM H50 50 to 600

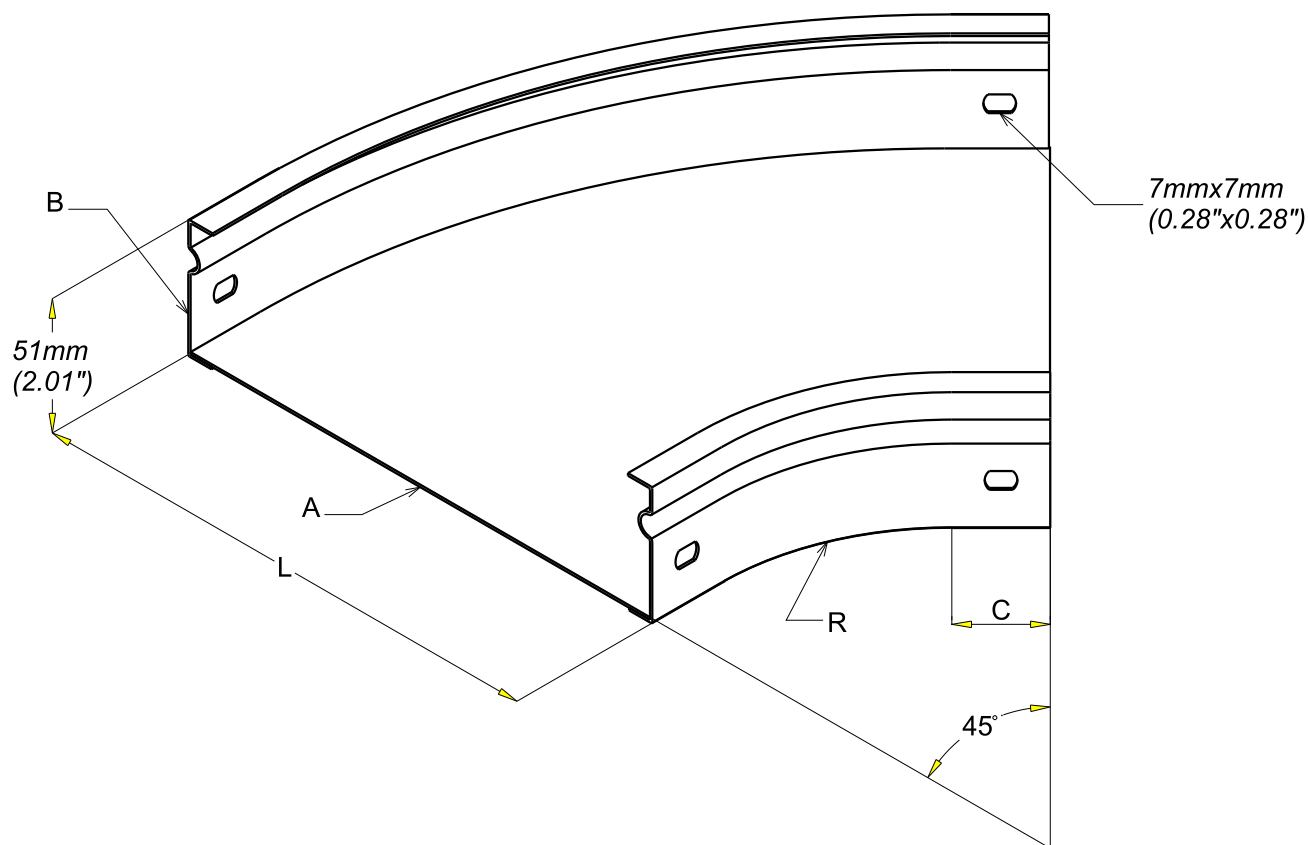
GC
 HDG



CABLE
 MANAGEMENT

FT0527-3

10 16



REF	CODE	L / L (mm) (inch)		A / A (mm) (inch)		B / B (mm) (inch)		C / C (mm) (inch)		R / R (mm) (inch)	
P31 FB45 50x50	342 944	50	(1.97")	0.8	(0.032")	1	(0.039")	50	(1.18")	-	-
P31 FB45 50x75	342 830	75	(2.92")	0.8	(0.032")	1	(0.039")	30	(1.18")	100	(3.94")
P31 FB45 50x100	342 945	100	(3.94")	0.8	(0.032")	1	(0.039")	30	(1.18")	100	(3.94")
P31 FB45 50x150	342 946	150	(5.91")	0.8	(0.032")	1	(0.039")	30	(1.18")	100	(3.94")
P31 FB45 50x200	342 947	200	(7.87")	0.8	(0.032")	1	(0.039")	30	(1.18")	100	(3.94")
P31 FB45 50x300	342 948	300	(11.81")	1	(0.039")	1	(0.039")	30	(1.18")	100	(3.94")
P31 FB45 50x400	342 949	400	(15.75")	1	(0.039")	1	(0.039")	50	(1.97")	150	(5.91")
P31 FB45 50x500	342 950	500	(19.69")	1	(0.039")	1	(0.039")	50	(1.97")	150	(5.91")
P31 FB45 50x600	342 951	600	(23.62")	1	(0.039")	1	(0.039")	50	(1.97")	150	(5.91")

Material	Standard	Finishes	Standard
S235 JR	EN 10025-2	HDG	Class 6 according to CEI 61537

Propriété exclusive de LEGRAND, ne peut être ni copié, ni transmis à des tiers sans autorisation écrite.

Exclusive property of LEGRAND shouldn't be reproduced or transmitted to any people without written authorization