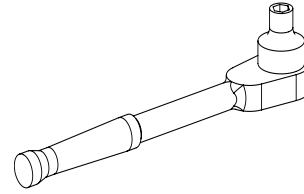
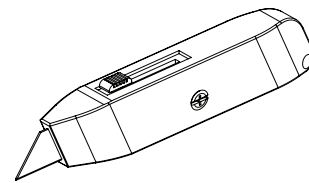


Air Dam Seal Kit

Tool List:

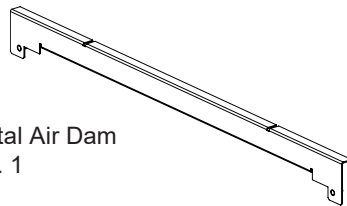


8mm Wrench

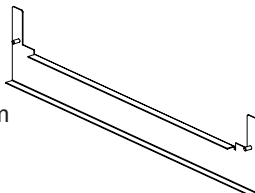


Utility Knife

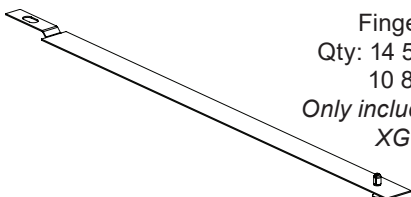
Components Included



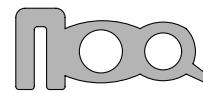
Top Horizontal Air Dam
Qty: 1



Bottom Horizontal Air Dam
Qty: 1



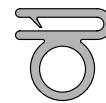
Finger Covers
Qty: 14 5RU covers &
10 8RU covers
Only included with part #
XG-ADS6*



1-1/4" Bulb Seal
Qty: 4



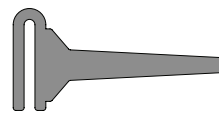
M5x0.8 Hex Nut
Qty: 4



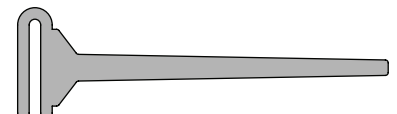
3/8" Bulb Seal
Qty: 2



Locking Panel Plug
Qty: 2
Only included with part #'s
XG-ADS7* & XG-ADS8*



1" Flap Seal
(1) Middle section
(2) 120mm End sections

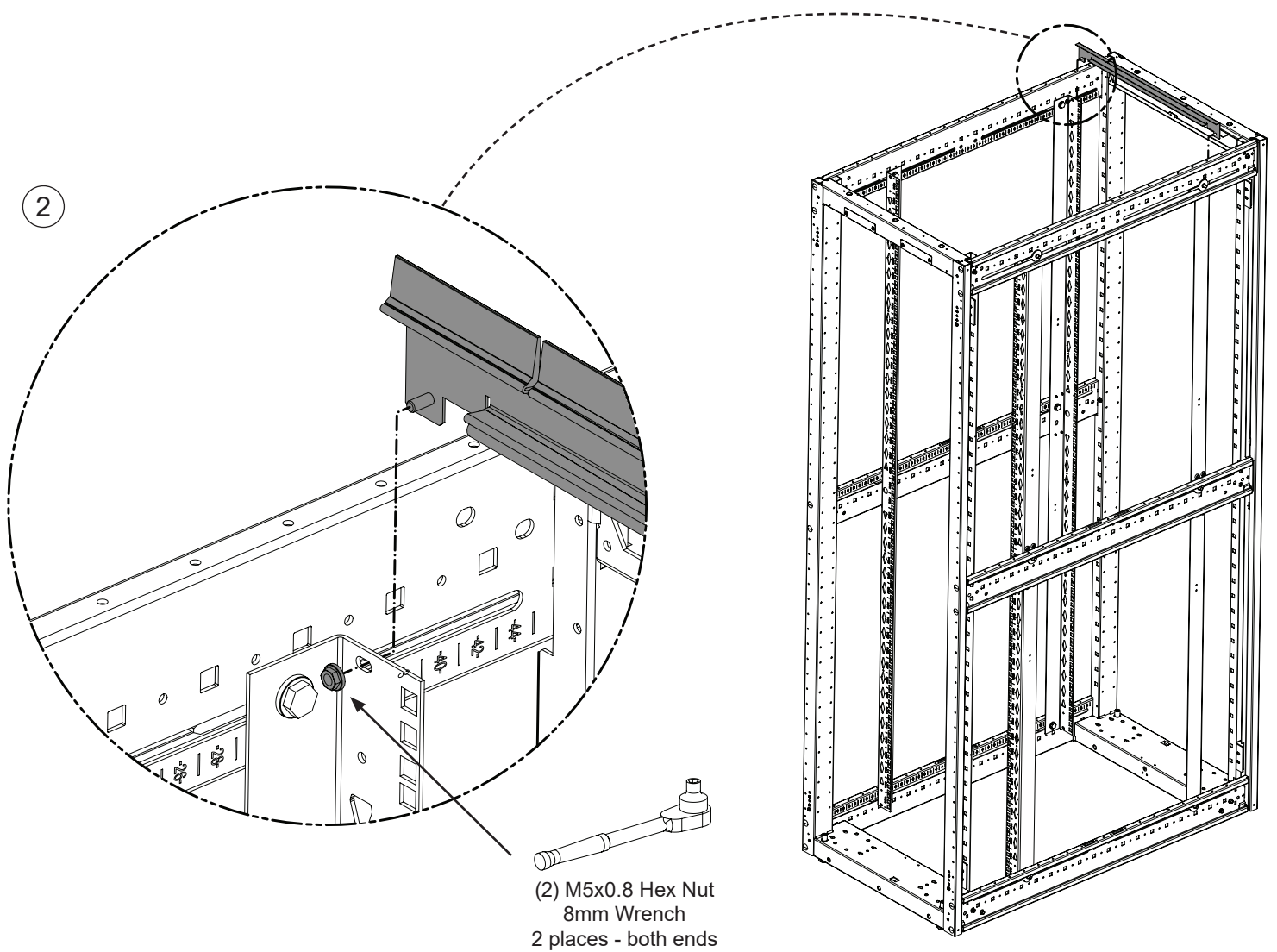
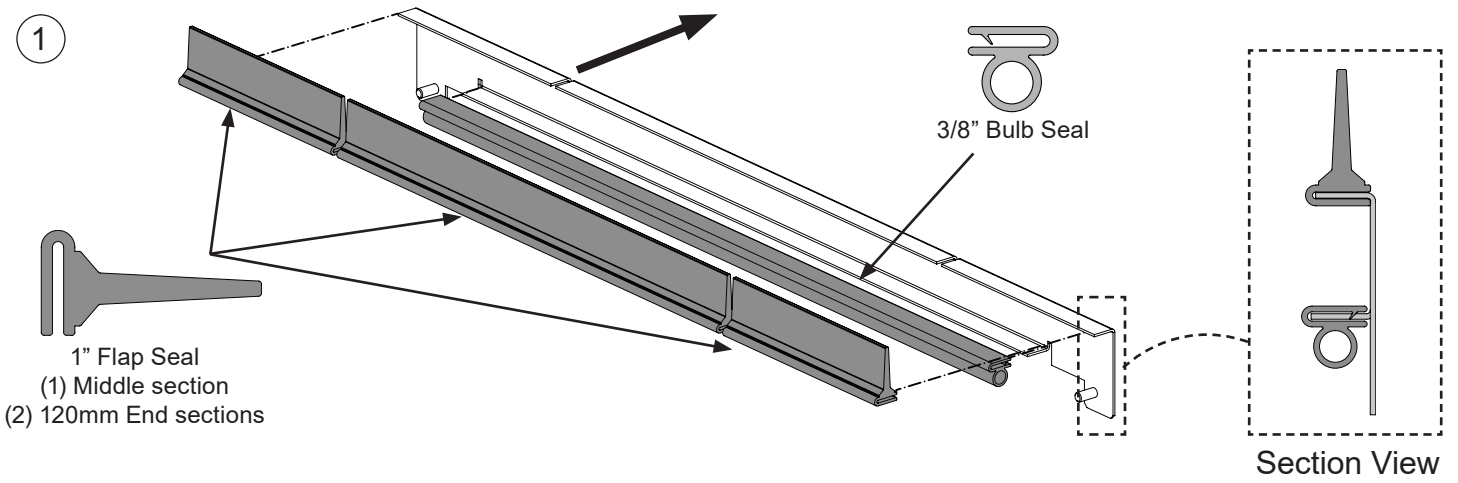


1.75" Flap Seal
Qty: 1

For Technical Support: www.panduit.com/resources/install_maintain.asp

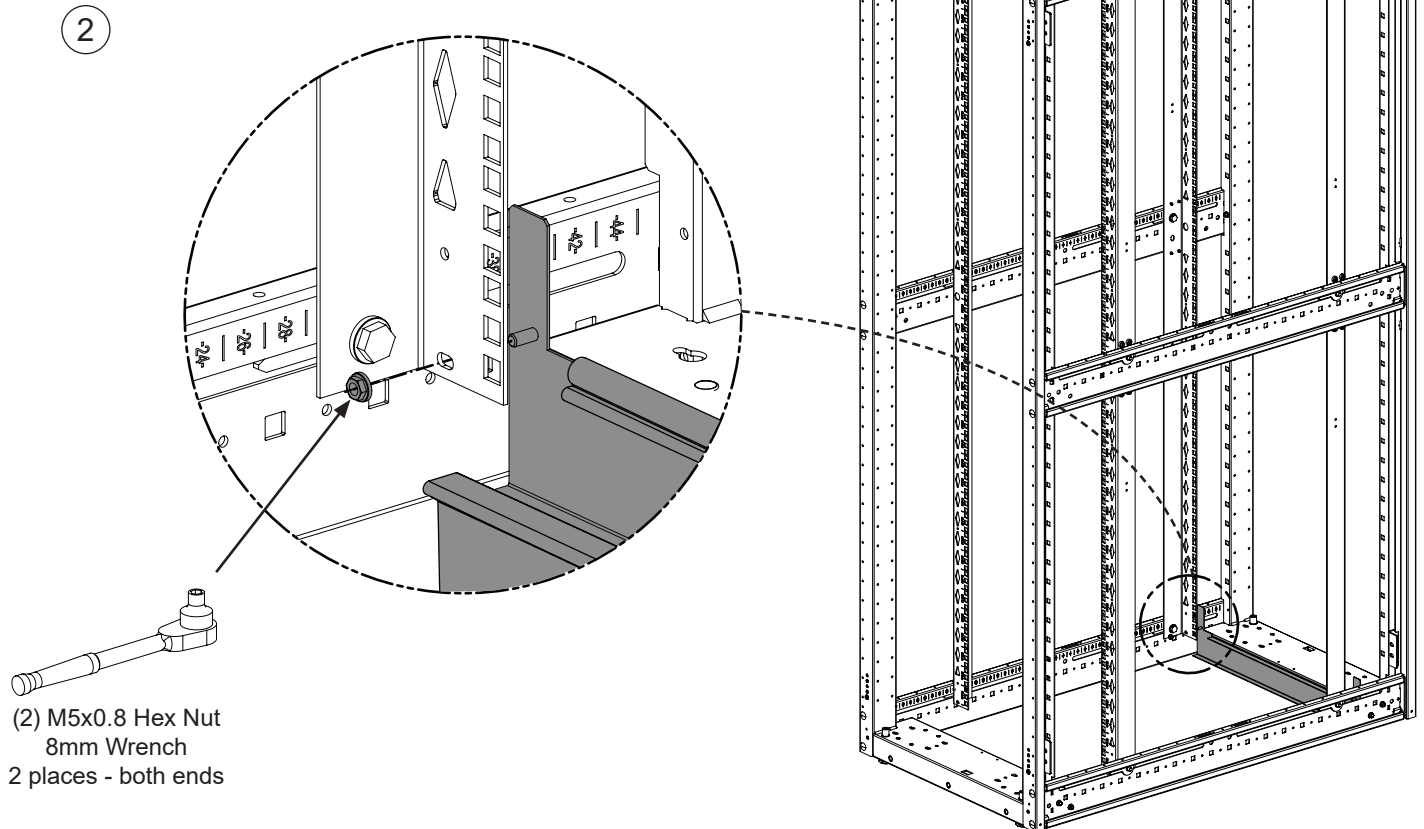
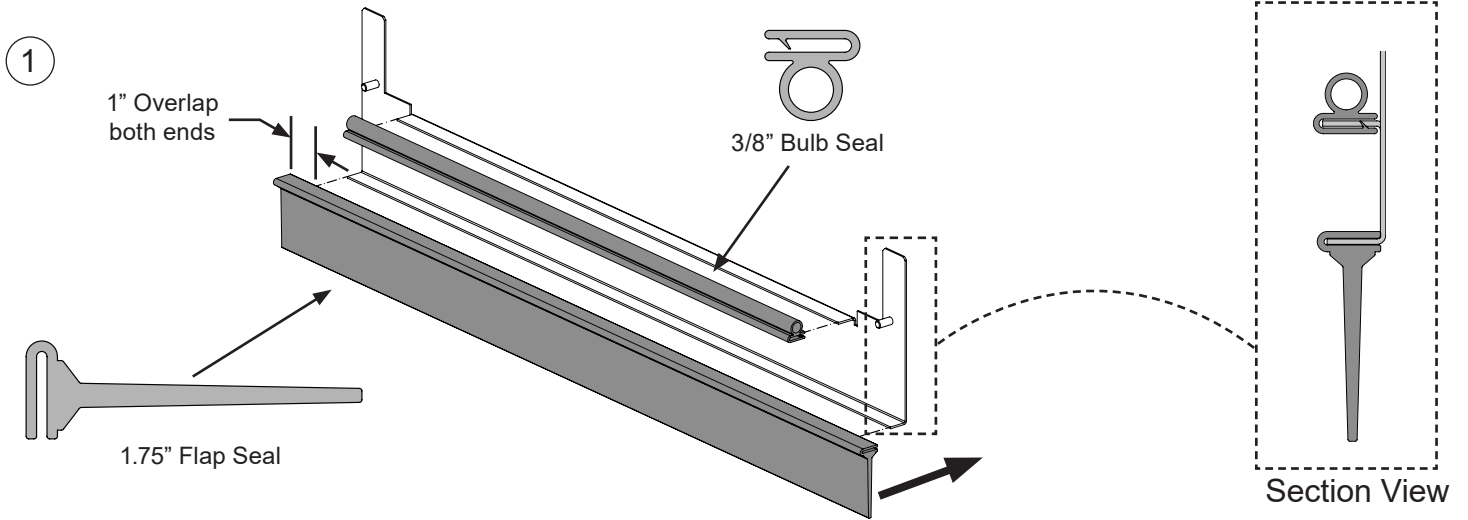
Install Top Horizontal Air Dam & Seals

- Attach (1) 3/8" Bulb Seal & (3) 1" Flap Seals to the Top Horizontal Air Dam
- Install Top Horizontal Air Dam & secure with (2) M5x0.8 Hex Nuts



Install Bottom Horizontal Air Dam & Seals

- Attach (1) 3/8" Bulb Seal to the Bottom Horizontal Air Dam.
- If gap between Bottom Horizontal Air Dam and floor exceeds 3/4", attach (1) 1.75" Flap Seal to the Bottom Horizontal Air Dam. Ends of flap seal overhang 1" on both sides.
- Install Bottom Horizontal Air Dam & secure with (2) M5x0.8 Hex Nuts

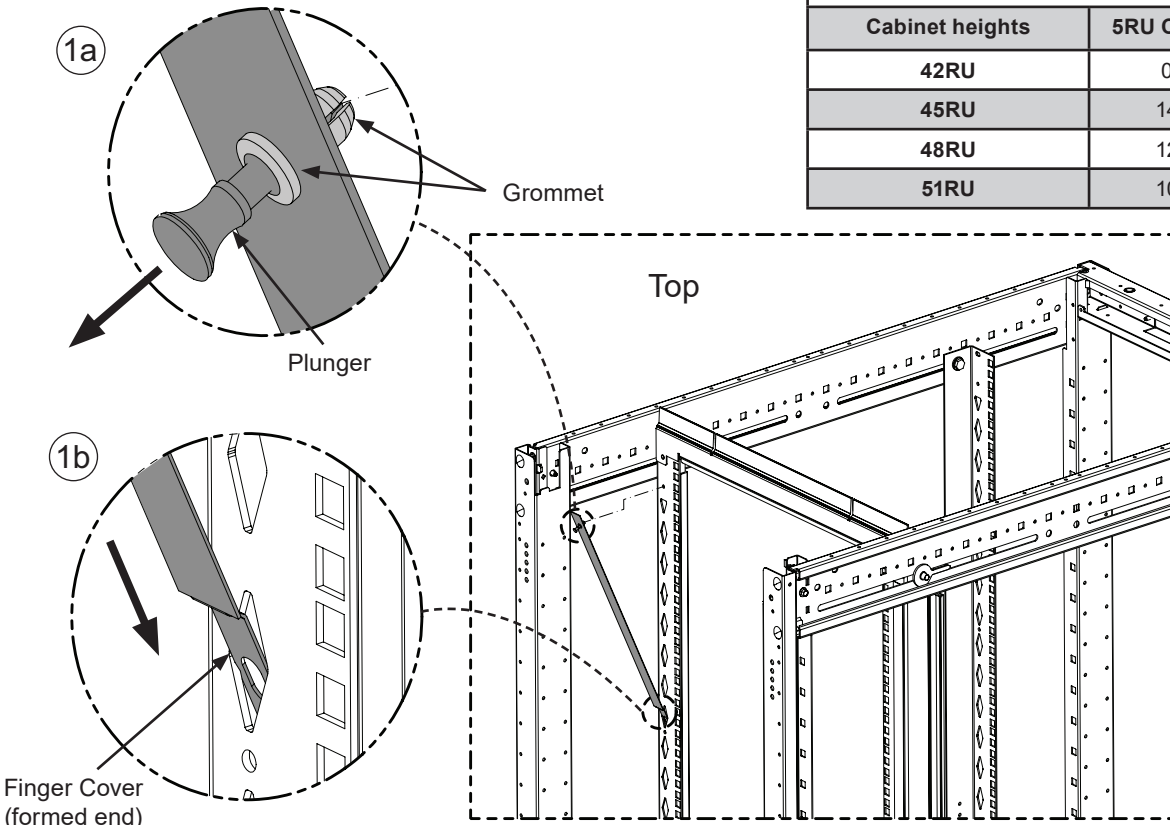


Install Finger Covers - XG-ADS6* (600 Wide Cabinets) Only

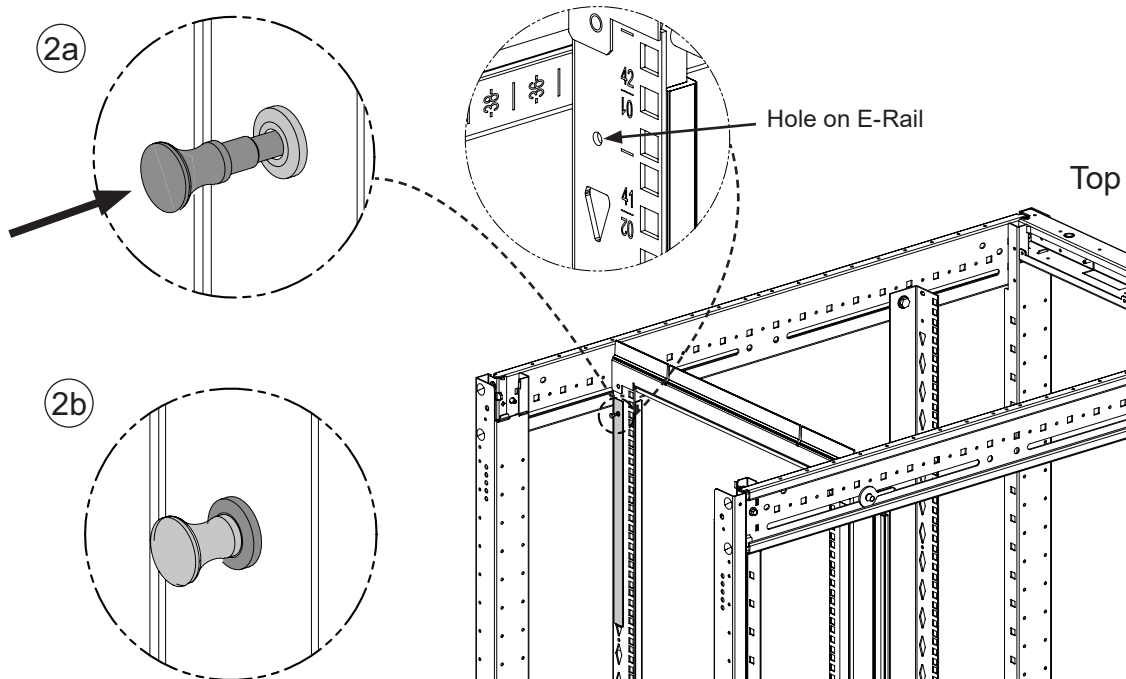
Use only when No Cable Management Fingers are installed on the E-Rails

- Pull plunger out before installing covers to E-Rails as shown in Step 1a.
- Starting from top of cabinet, insert Finger Covers formed end at an angle into diamond cut-out as shown in step 1b.
- Plunger and Grommet must align with hole on E-Rail and will be inserted to E-Rail in step 2
- Push the Grommet through the hole in the E-rail attaching Finger Cover to E-Rail
- Push Plunger toward E-Rail pressing it flush against the grommet (shown in step 2b)

Cover Quantities*		
Cabinet heights	5RU Cover	8RU Cover
42RU	0	10
45RU	14	2
48RU	12	4
51RU	10	6

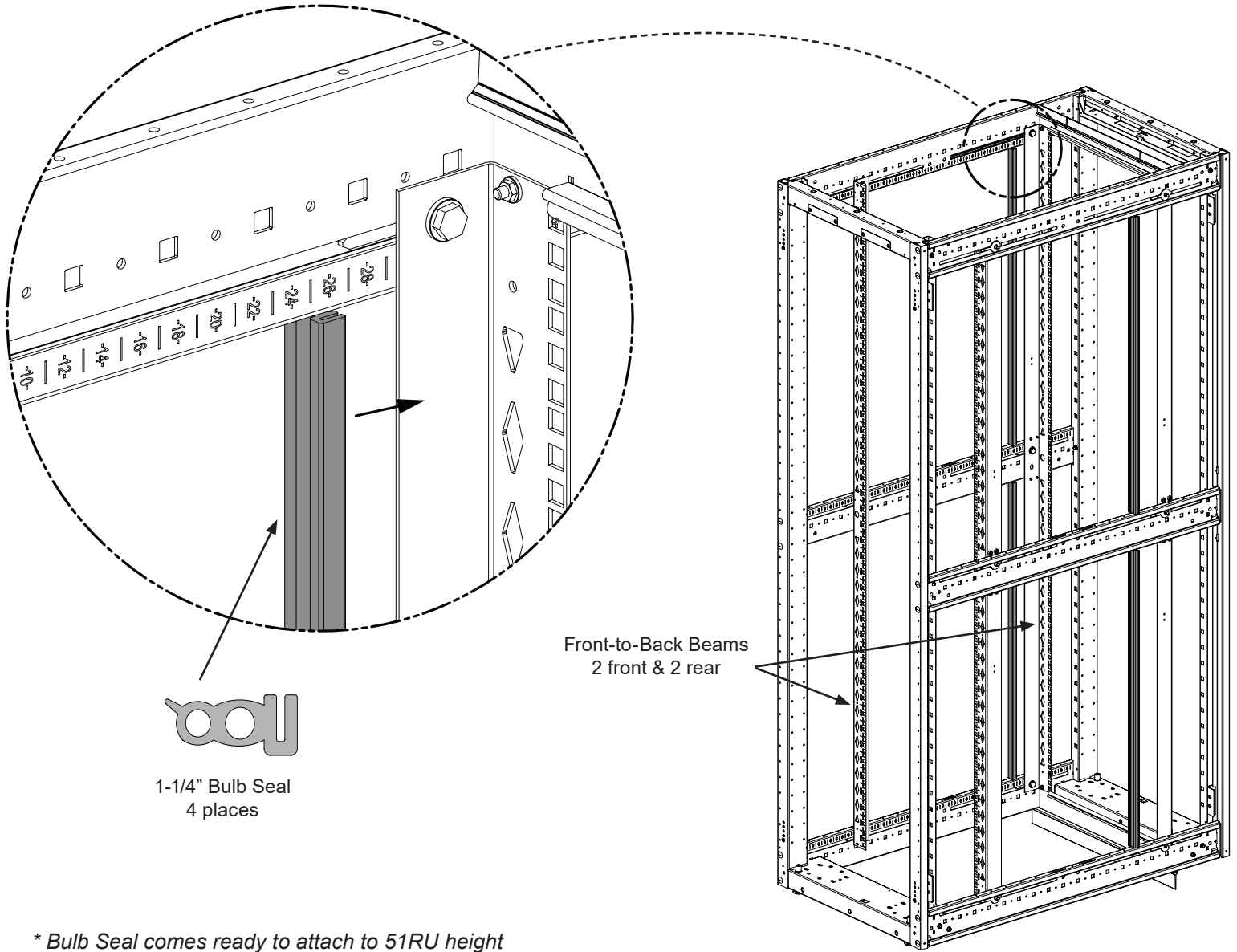


*Finger Covers installed top to bottom.
 42RU - 48RU must install all of one size cover first before finishing with the 2nd size.
 51RU must install 1 8RU cover per side then all of the 5RU covers and finish with 2 remaining 8RU covers.

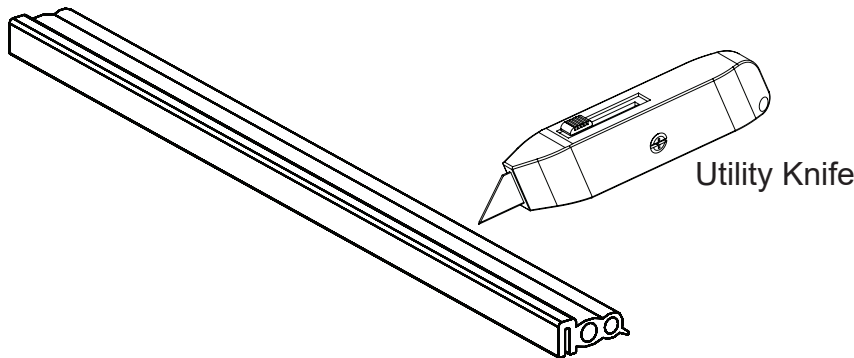


Install Vertical Bulb Seals

- Attach (4) 1-1/4" Bulb Seals to side flanges to seal between Top, Middle and Bottom Front-to-Back Side Beams. Bulb Seal to be orientated as shown below to provide a seal between E-rail and Side Panel.

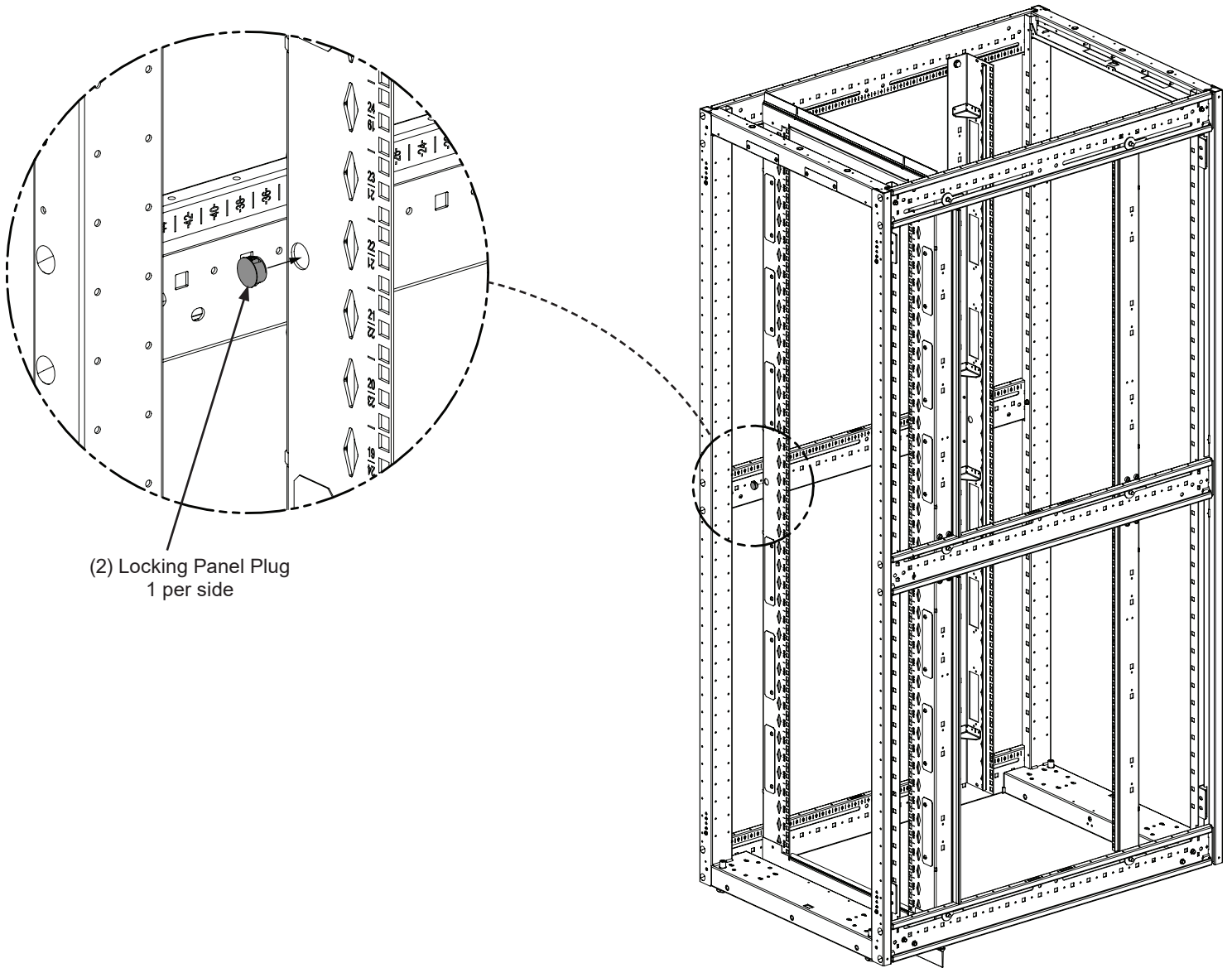


* Bulb Seal comes ready to attach to 51RU height cabinets. For all other sizes cut the seals to length.



Install Locking Panel Plug- XG-ADS7* & XG-ADS8* (700 & 800 Wide Cabinets) Only

- Insert (2) Locking Panel Plugs into E-Rails as shown below



(2) Locking Panel Plug
1 per side

For Instructions in Local Languages
and Technical Support:

www.panduit.com/resources/install_maintain.asp

PANDUIT

www.panduit.com

E-mail:
techsupport@panduit.com

Phone:
866-405-6654