

CAGE NUT RAIL KIT FOR STRAIN RELIEF BARS*

PANDUIT

Part Number(s): CNSRBKIT-C

© Panduit Corp. 2021

INSTALLATION INSTRUCTIONS

V00029VV

Required tools - not included

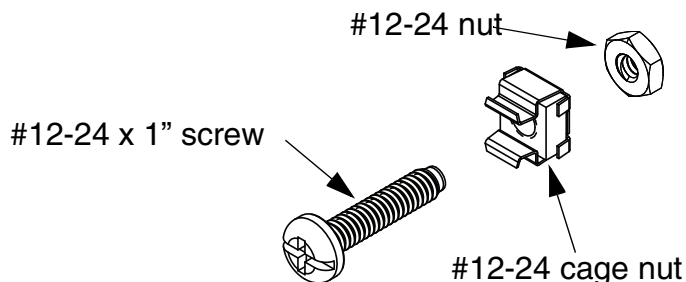
Phillips head driver



3/8" Hex driver

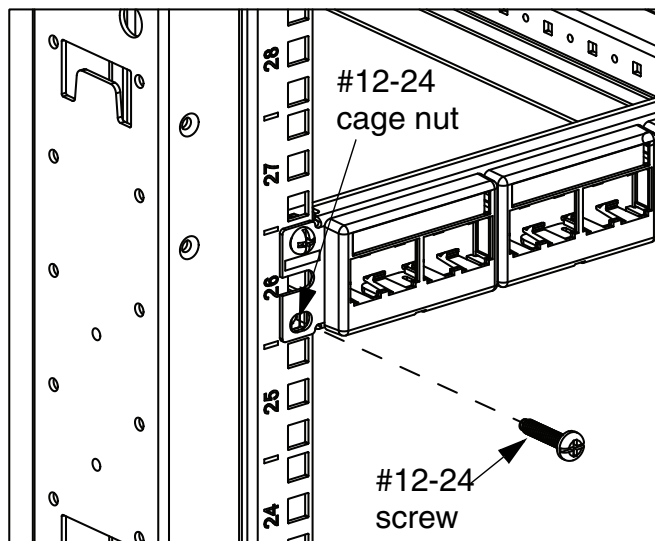


Required hardware - included



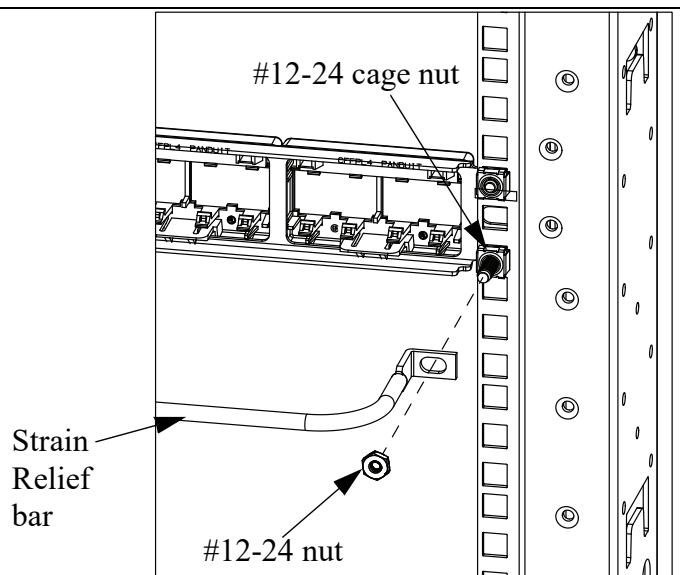
Step 1

1. Install cage nut in proper cage nut hole ensuring it aligns with the bottom mounting hole of the patch panel.
2. Align bottom mounting hole with cage nut and secure with enclosed #12-24 screw



Step 2

1. Slide strain relief bar (sold separately) on the end of the screw protruding behind the patch panel.
2. Use #12-24 hex nut to secure the strain relief bar in place by using a 3/8" Hex driver.



*For recommended strain relief bars, refer to the specification sheet at Panduit.com

For Instructions in Local Languages
and Technical Support:

www.panduit.com/resources/install_maintain.asp

PANDUIT

www.panduit.com

E-mail:
techsupport@panduit.com

Phone:
866-405-6654