



Triple-touch actuators, spring return - One middle extended buttons  
LPCB73

Product designation

Product type designation

**General characteristics**

Colour	Green/Red/Green
Type of positions	Triple-touch
Material	Polyamide
IEC degree of protection	IP66, IP67 and IP69K

**Mechanical features**

Operating force	kg-lb	<0.5Kg / 1.1lb
Mechanical life	cycles	1000000
Mounting adapter		LPXAU120
Weight	g	30

**UL technical data**

UL degree of protection	Type1, 2, 3R, 4, 4X, 12, 12K
-------------------------	------------------------------

**Ambient conditions**

Temperature

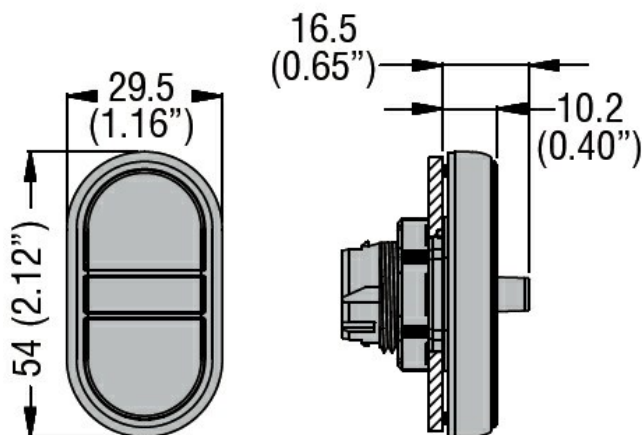
Operating temperature

min	°C	-25
max	°C	+70

Storage temperature

min	°C	-40
max	°C	+85

**Dimensions**



**Certifications and compliance**

Compliance

CSA C22.2 n° 14  
IEC/EN/BS 60947-1

---

IEC/EN/BS 60947-5-1

---

UL508

---

Certificates

CCC

---

cULus

---

EAC

---

RINA

---

ETIM classification

ETIM 8.0

EC000221 -  
Front element for  
push button