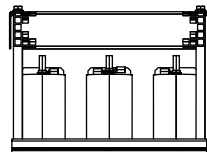
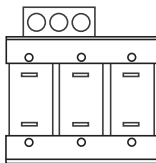
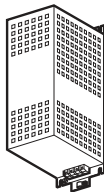




17555206

Altivar Sinus Filters VW3A5201... 219



VW3A5201	11 A	50 W
VW3A5202	16 A	70 W
VW3A5203	33 A	120 W
VW3A5204	66 A	180 W
VW3A5205	95 A	250 W
VW3A5206	180 A	400 W

VW3A5207	200 A	945 W
VW3A5208	300 A	1360 W
VW3A5209	400 A	1900 W
VW3A5210	600 A	2370 W
VW3A5211	1200 A	5150 W
VW3A5212	240 A	1500 W
VW3A5213	460 A	2800 W
VW3A5214	900 A	4810 W

VW3A5215	13 A	170 W
VW3A5216	28 A	280 W
VW3A5217	45 A	360 W
VW3A5218	75 A	500 W
VW3A5219	115 A	860 W

⚠ ⚠ DANGER

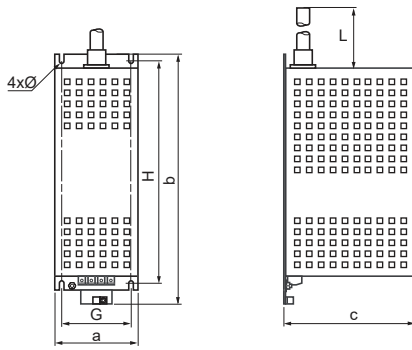
HAZARD OF ELECTRIC SHOCK, EXPLOSION, OR ARC FLASH

- Only appropriately trained persons who are familiar with and understand the contents of this manual and all other pertinent product documentation and who have received safety training to recognize and avoid hazards involved are authorized to work on and with this drive system. Installation, adjustment, repair, and maintenance must be performed by qualified personnel.
- The system integrator is responsible for compliance with all local and national electrical code requirements as well as all other applicable regulations with respect to grounding of all equipment.
- Many components of the product, including the printed circuit boards, operate with mains voltage. Use only electrically insulated tools.
- Do not touch unshielded components or terminals with voltage present.
- Motors can generate voltage when the shaft is rotated. Prior to performing any type of work on the drive system, block the motor shaft to prevent rotation.
- AC voltage can couple voltage to unused conductors in the motor cable. Insulate both ends of unused conductors of the motor cable.
- Do not short across the DC bus terminals or the DC bus capacitors or the braking resistor terminals.
- Before performing work on the drive system:
 - Disconnect all power, including external control power that may be present.
 - Place a "Do Not Turn On" label on all power switches.
 - Lock all power switches in the open position.
 - Wait 15 minutes to allow the DC bus capacitors to discharge. The DC bus LED is not an indicator of the absence of DC bus voltage that can exceed 800 Vdc.
 - Measure the voltage on the DC bus between the DC bus terminals (PA/+ and PC/-) using a properly rated voltmeter to verify that the voltage is <42 Vdc.
 - If the DC bus capacitors do not discharge properly, contact your local Schneider Electric representative. Do not repair or operate the product.
- Install and close all covers before applying voltage.

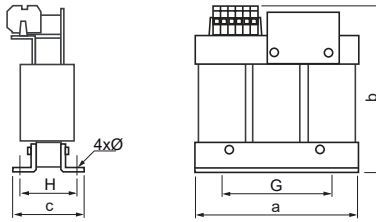
Failure to follow these instructions will result in death or serious injury.

Electrical equipment should be installed, operated, serviced, and maintained only by qualified personnel. No responsibility is assumed by Schneider Electric for any consequences arising out of the use of this product.

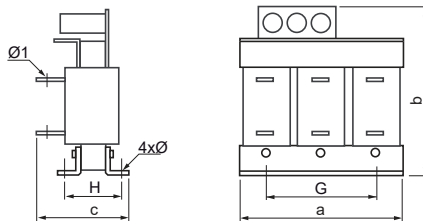
© 2018 Schneider Electric. All Rights Reserved.



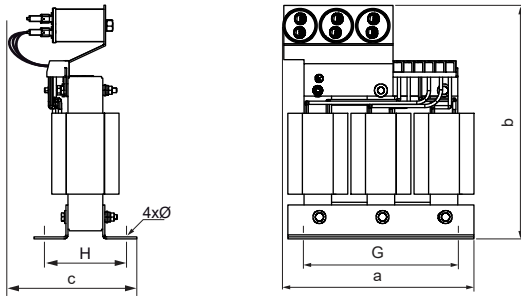
	a		b		c		G		H		4Ø		L	
	mm	in.	mm	in.	mm	in.	mm	in.	mm	in.	mm	in.	mm	in.
VW3A5201	120	4.72	335	13.19	160	6.30	100	3.94	280	11.02	6.6	0.26	700	27.6
VW3A5202	120	4.72	405	15.95	190	7.48	100	3.94	350	13.78	6.6	0.26	900	35.4
VW3A5203	150	5.91	470	18.50	240	9.45	120	4.72	380	14.96	6.6	0.26	900	35.4
VW3A5204	210	8.27	650	25.59	280	11.02	160	6.30	530	20.87	8.6	0.34	1500	59
VW3A5205	250	9.84	780	30.71	360	14.17	200	7.87	650	25.59	11	0.43	1600	63
VW3A5206	310	12.20	1060	41.73	375	14.76	220	8.66	880	34.65	11	0.43	2700	106



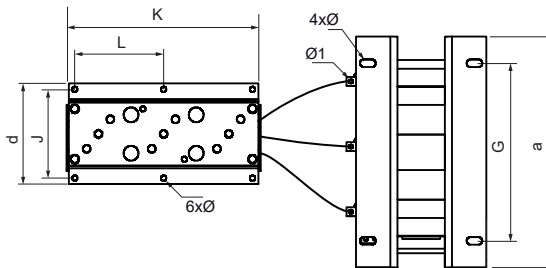
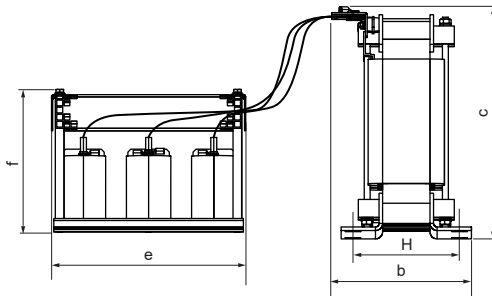
	a		b		c		G		H		4Ø	
	mm	in.	mm	in.	mm	in.	mm	in.	mm	in.	mm	in.
VW3A5207	420	16.54	500	19.69	290	11.42	370	14.57	194	7.64	11 x 15	0.43 x 0.59



	a		b		c		G		H		4Ø		Ø1	
	mm	in.	mm	in.	mm	in.	mm	in.	mm	in.	mm	in.	mm	in.
VW3A5208	420	16.54	500	19.69	345	13.58	370	14.57	231	9.09	11 x 15	0.43 x 0.59	11	0.43
VW3A5209	480	18.90	600	23.62	340	13.39	430	16.93	238	9.37	13 x 18	0.51 x 0.71	11	0.43
VW3A5210	480	18.90	710	27.95	370	14.57	430	16.93	258	10.16	13 x 18	0.51 x 0.71	14	0.55
VW3A5211	620	24.41	930	36.61	500	19.69	525	20.67	352	13.86	13 x 22	0.51 x 0.87	4 x 11	4 x 0.43
VW3A5212	420	16.53	700	27.56	380	14.97	370	14.57	244	9.60	11 x 15	0.43 x 0.59	11	0.43
VW3A5213	480	18.89	870	34.25	420	16.53	430	16.93	295	11.61	13 x 18	0.51 x 0.71	14	0.55
VW3A5214	600	23.62	1150	45.27	450	17.73	525	20.67	351	13.82	13 x 22	0.51 x 0.87	2 x 11	2 x 0.43



	a		b		c		G		H		4Ø	
	mm	in.	mm	in.	mm	in.	mm	in.	mm	in.	mm	in.
VW3A5215	180	7.08	290	11.42	160	6.30	180	7.09	101	3.98	8 x 12	0.31 x 0.47
VW3A5216	175	6.89	375	14.76	165	6.50	175	6.89	108	4.25	8 x 12	0.31 x 0.47
VW3A5217	267	10.51	425	16.73	190	7.48	215	8.46	127	5.00	11 x 15	0.43 x 0.59

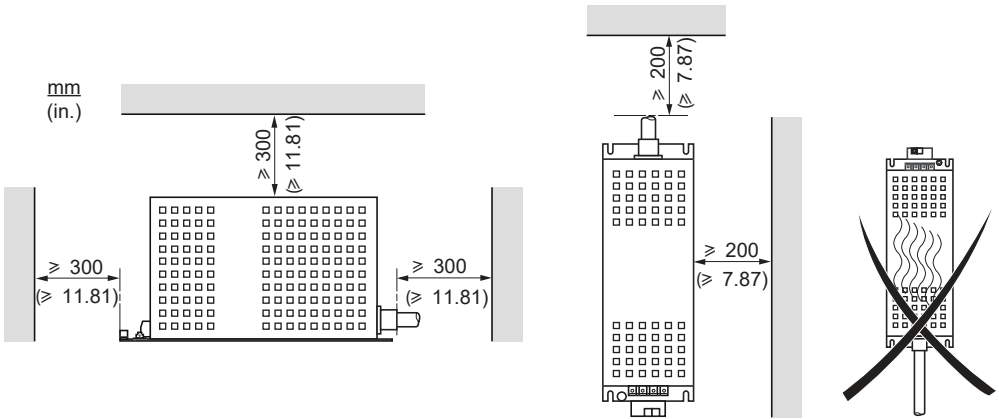


	a		b		c		G		H		4Ø		Ø1	
	mm	in.	mm	in.	mm	in.	mm	in.	mm	in.	mm	in.	mm	in.
VW3A5218	392	15.43	245	9.65	375	14.76	370	14.57	180	7.09	13 x 27	0.51 x 1.06	6.6	0.26
VW3A5219	465	18.30	275	10.83	425	16.73	430	16.93	180	7.09	13 x 27	0.51 x 1.06	9	0.35

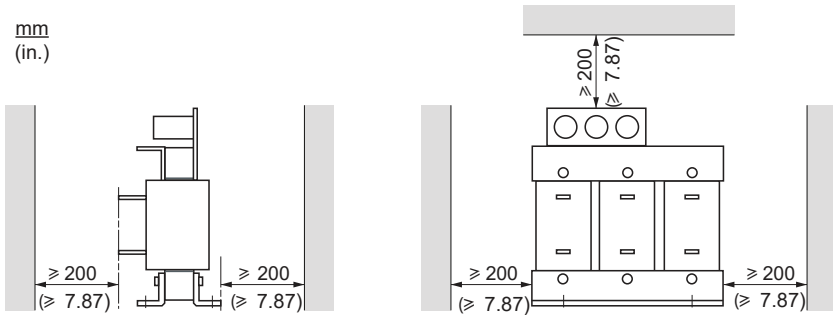
	d		e		f		J		K		L		6Ø	
	mm	in.	mm	in.	mm	in.	mm	in.	mm	in.	mm	in.	mm	in.
VW3A5218	170	6.69	240	9.45	330	12.99	150	5.91	300	11.81	150	5.91	9	0.35
VW3A5219	170	6.69	240	9.45	330	12.99	150	5.91	300	11.81	150	5.91	9	0.35



VW3A5201 ... 206

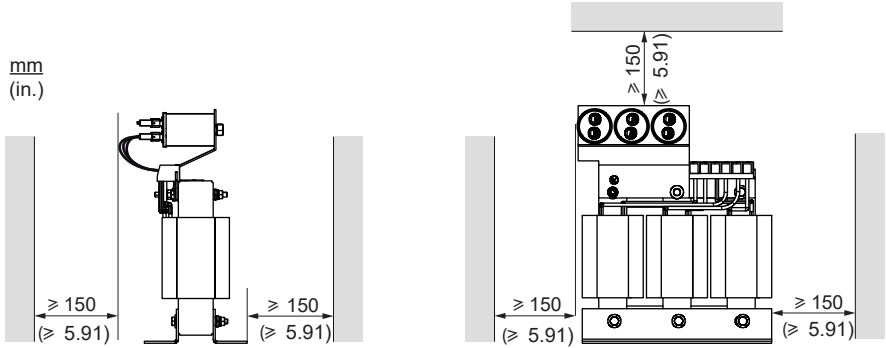


VW3A5207 ... 214



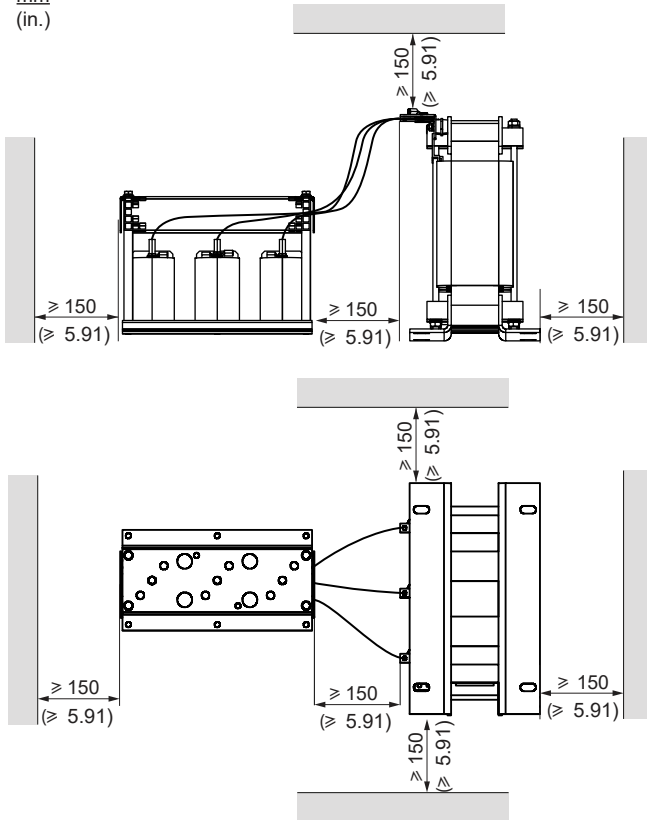
VW3A5215 ... 217

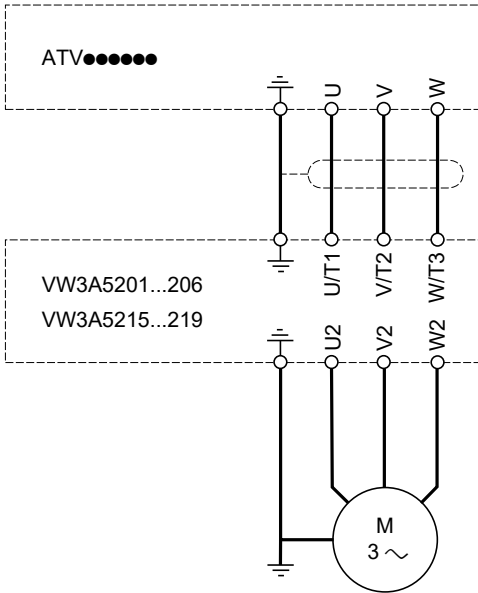
mm
(in.)



VW3A5218 ... 219

mm
(in.)

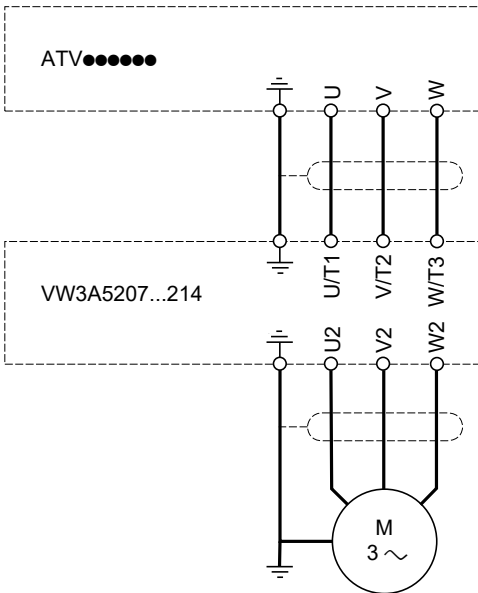




U/T1, V/T2, W/T3
U2, V2, W2



	Nm	lbf.in
VW3A5201	0.6	5.3
VW3A5202	1.5	13.3
VW3A5203	1.5	13.3
VW3A5204	4	35.4
VW3A5205	6	53.1
VW3A5206	15	132.5
VW3A5215	1.8	15.9
VW3A5216	4.5	39.8
VW3A5217	3.7	32.7



U/T1, V/T2, W/T3
U2, V2, W2



	Nm	lbf.in
VW3A5207	15	132.5



Installation Manual



www.schneider-electric.com