

Wyr-Grid Cabinet Mount Bracket

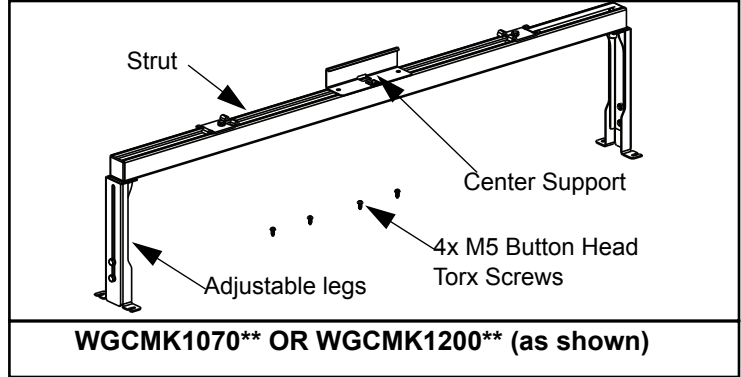
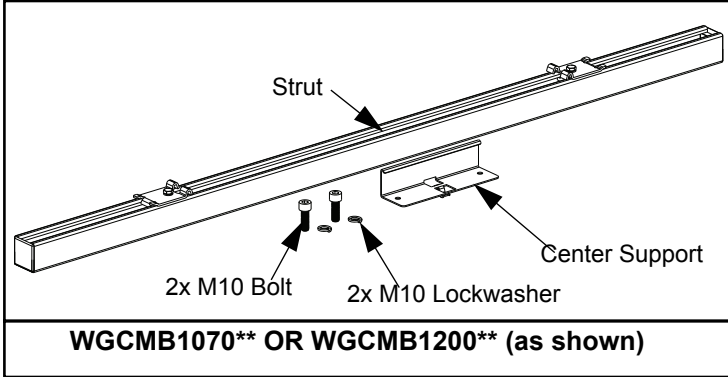
Part Number(s): WGCMB1070**, WGCMB1200**,
WGCMK1070**, & WGCMK1200**

PANDUIT

© Panduit Corp. 2014

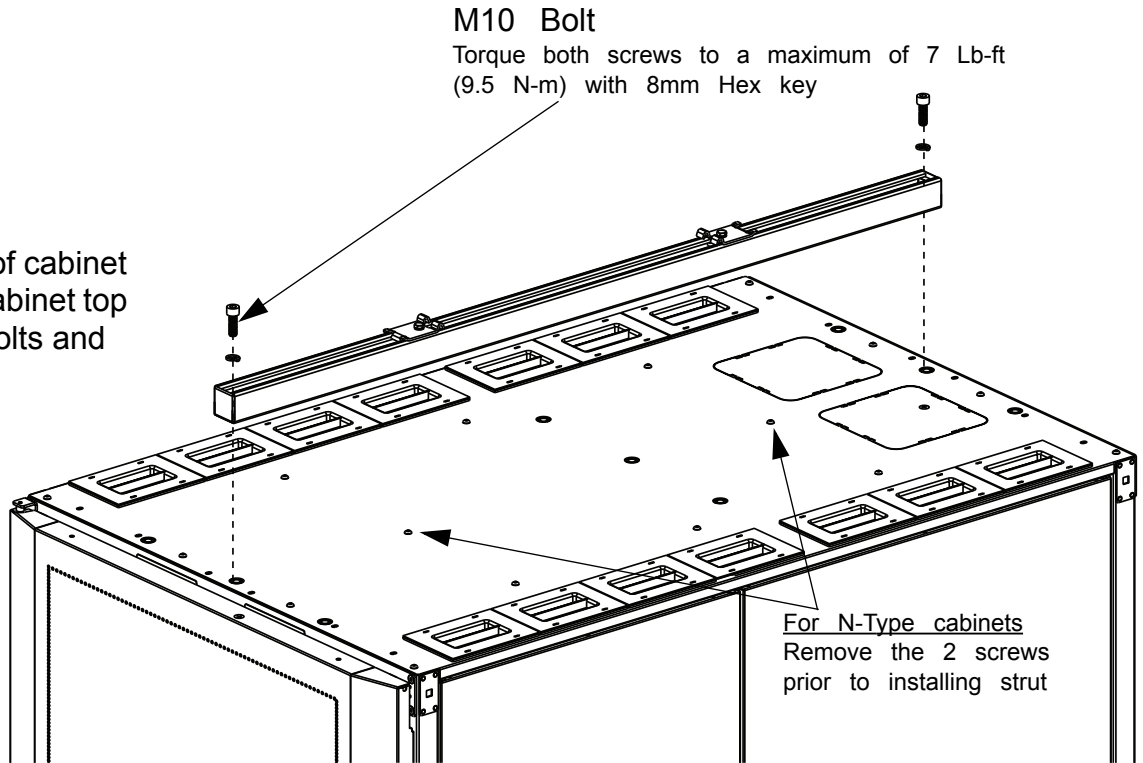
INSTALLATION INSTRUCTIONS

V00029FB



Note: The cabinet Mounting Brackets in the depicted configurations are capable of supporting Wyr-Grid Pathways at their safe working load unless otherwise noted.

Step 1: Attach Strut to top of cabinet thru existing M10 tapped cabinet top holes with provided M10 Bolts and Lockwashers.

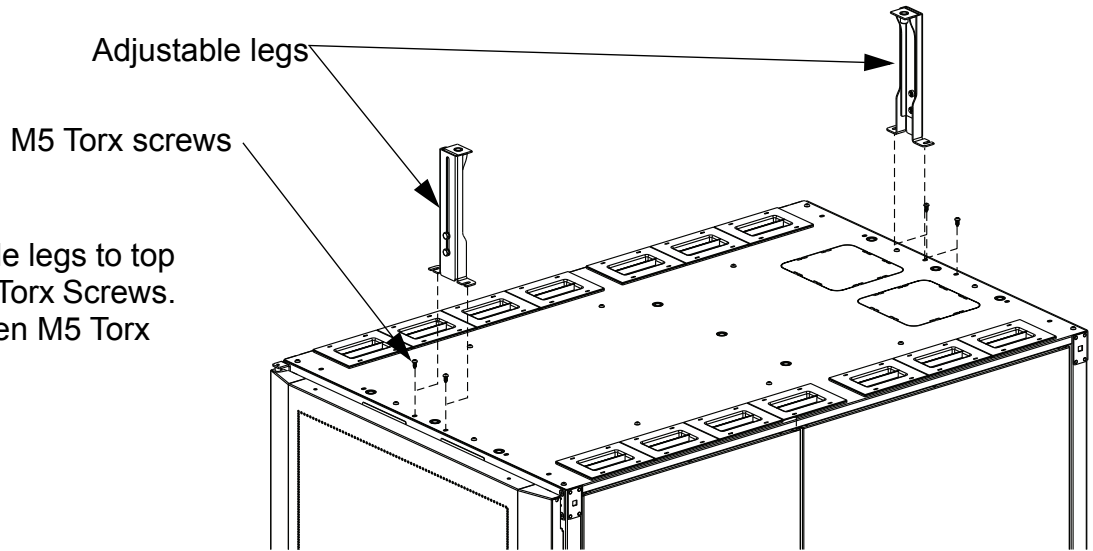


(See page 5 & 6 for Pathway installation.)

FOR TECHNICAL SUPPORT www.panduit.com/resources/install_maintain.asp

Standard Elevated Installation WGCMK1070** or WGCMK1200** (as shown)

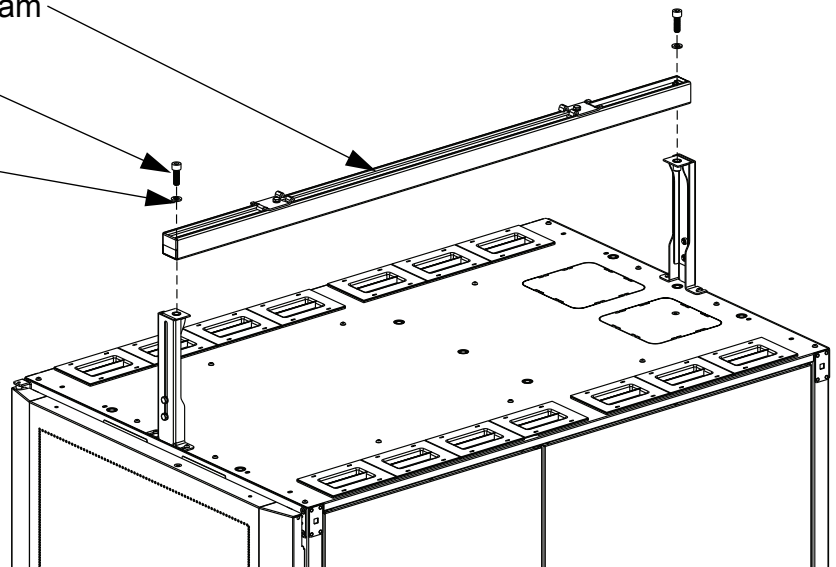
Step 1: Attach adjustable legs to top of cabinet using (2) M5 Torx Screws. (each leg) (Do not tighten M5 Torx screws)



Step 2: Attach Strut to top of adjustable legs using (1) M10 Bolt & (1) M10 lockwasher per side. Square the adjustable legs and tighten the M10 Bolts & M5 Torx Screws (1.6 Lb-ft / 2.1 N-m).

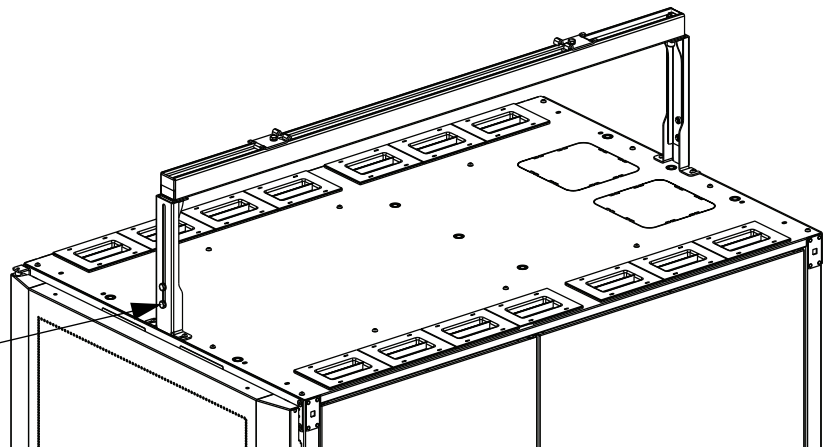
M10 Bolt
Torque both screws to a maximum of 7 Lb-ft (9.5 N-m) with 8mm Hex key.
M10 Lockwasher

Strut Beam



Step 3: Adjust the height of the Strut to the desired height. Height Adjusts from 11.00" (279.4mm) to 16.75" (425.5mm)

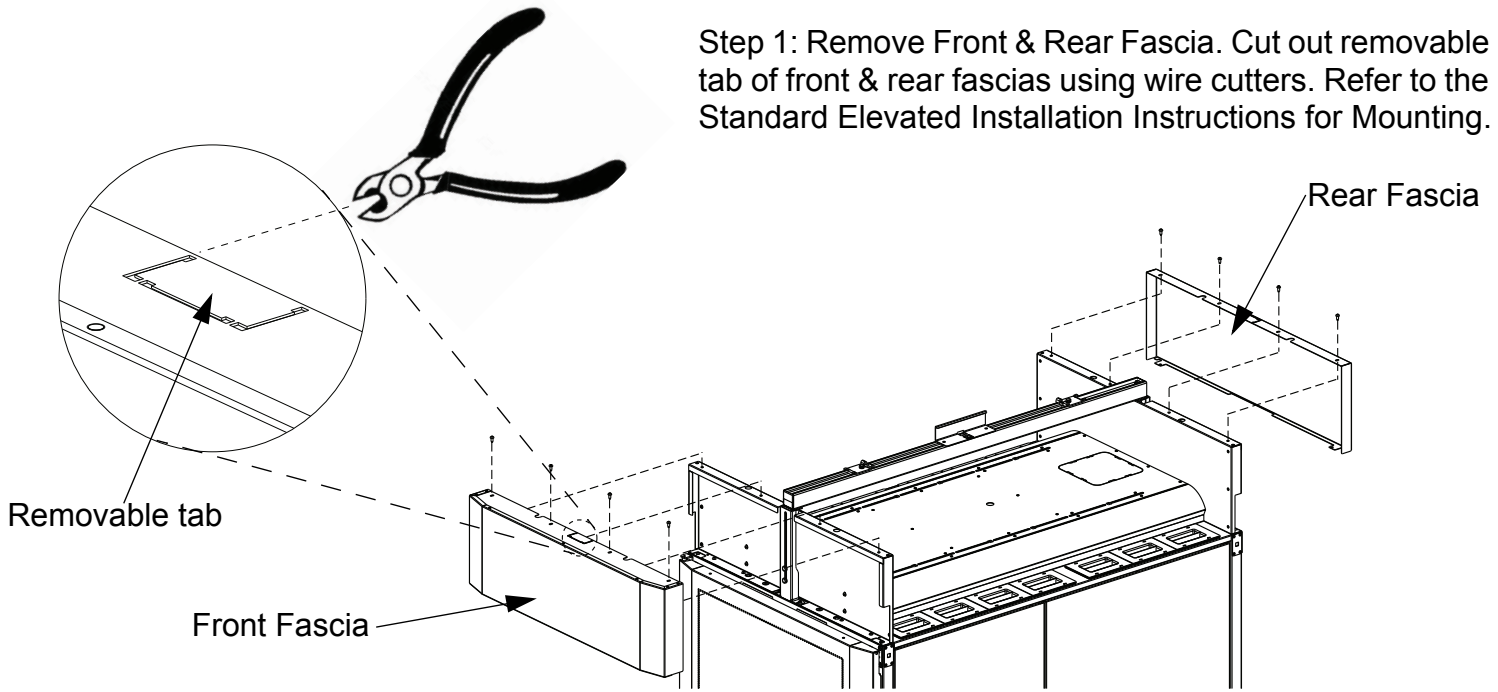
Torque Screws to a min. of 4 Lb-ft (5.4 N-m) per screw.



(See page 5 & 6 for Pathway installation.)

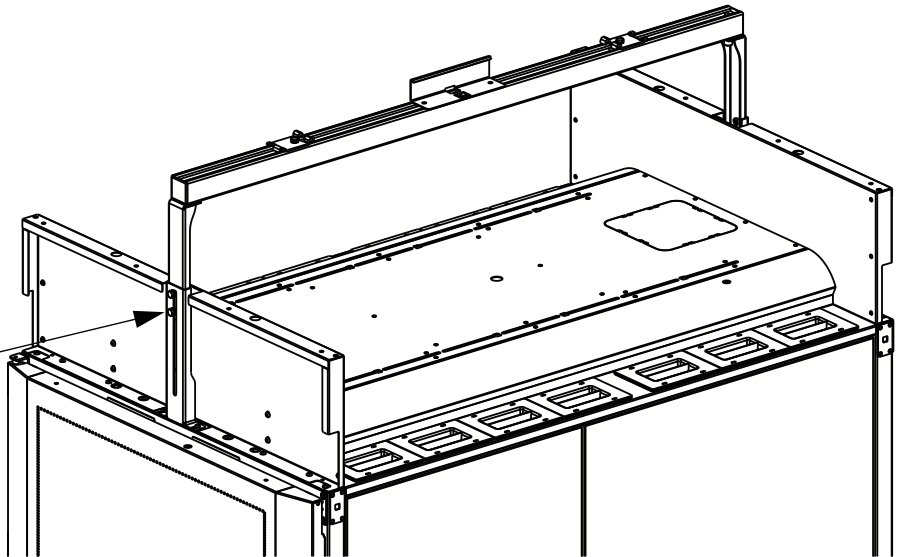
Top Integral Cable Manager Installation

Step 1: Remove Front & Rear Fascia. Cut out removable tab of front & rear fascias using wire cutters. Refer to the Standard Elevated Installation Instructions for Mounting.



Step 2: Adjust the height of the Strut to the desired height. Height Adjusts from 11.00" (279.4mm) to 16.75" (425.5mm)

Adjustment Screws
Torque to a min. of 4 Lb-ft
(5.4 N-m) per screw

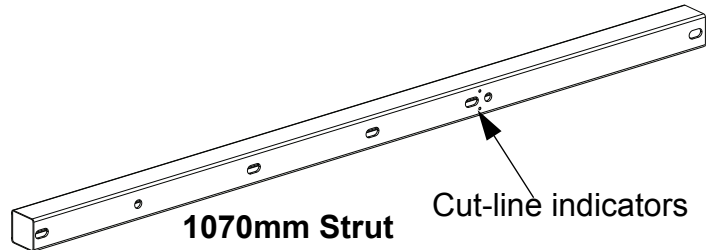
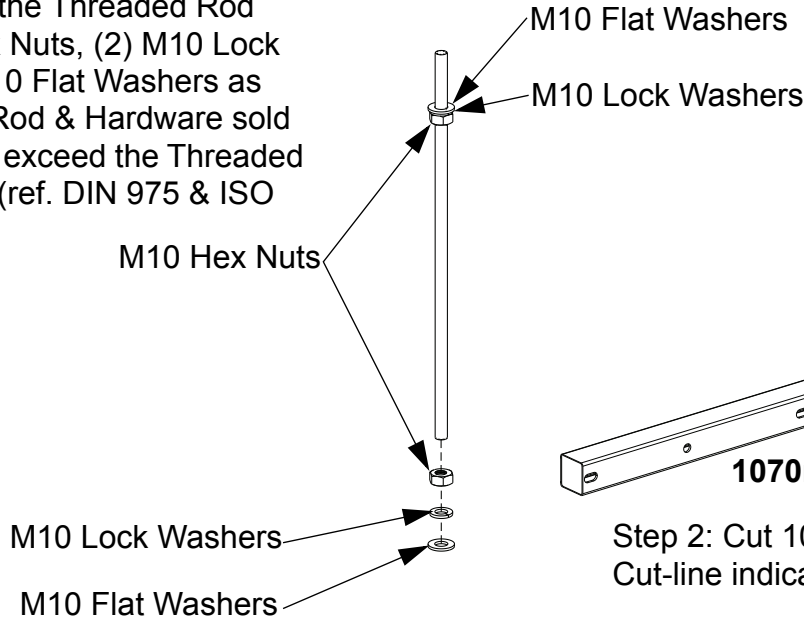


Step 3: Re-install Front and Rear Fascias

(See page 5 & 6 for Pathway installation.)

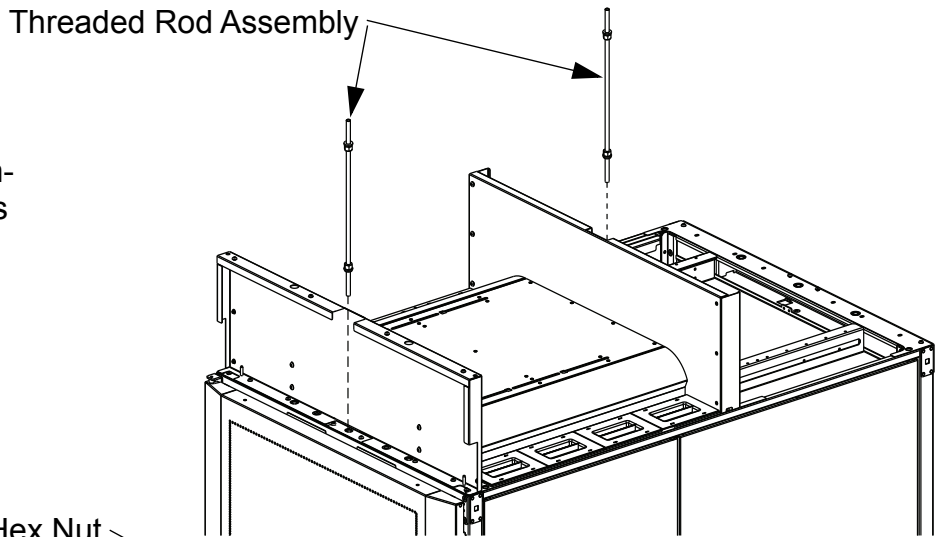
VED Top Integral Cable Manager Installation (WGCMB1070 is required for this application)**

Step 1: Assemble the Threaded Rod using (2) M10 Hex Nuts, (2) M10 Lock Washers, & (2) M10 Flat Washers as shown. Threaded Rod & Hardware sold separately. Do not exceed the Threaded Rod's capabilities (ref. DIN 975 & ISO 898)

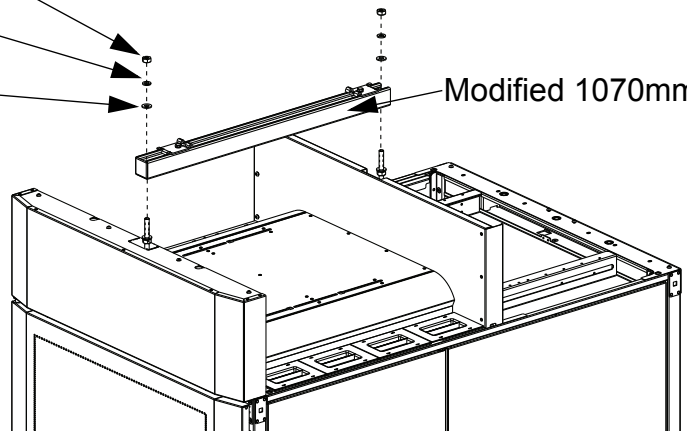


Step 2: Cut 1070mm length Strut using Cut-line indicators for VED installation.

Step 3: Install (2) Threaded Rod Assemblies into the center M10 threaded holes and adjust to desired height.



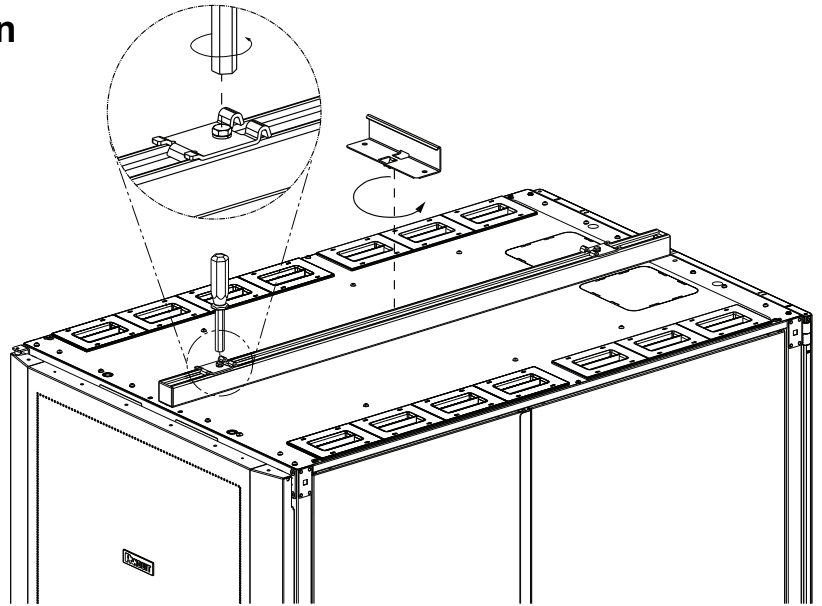
Step 4: Attach Strut to top of Threaded Rods using (1) M10 Flat Washer, (1) M10 Lock Washer, & (1) M10 Hex Nut (per side).



(See page 5 & 6 for Pathway installation.)

Wyr-Grid Center Support Installation

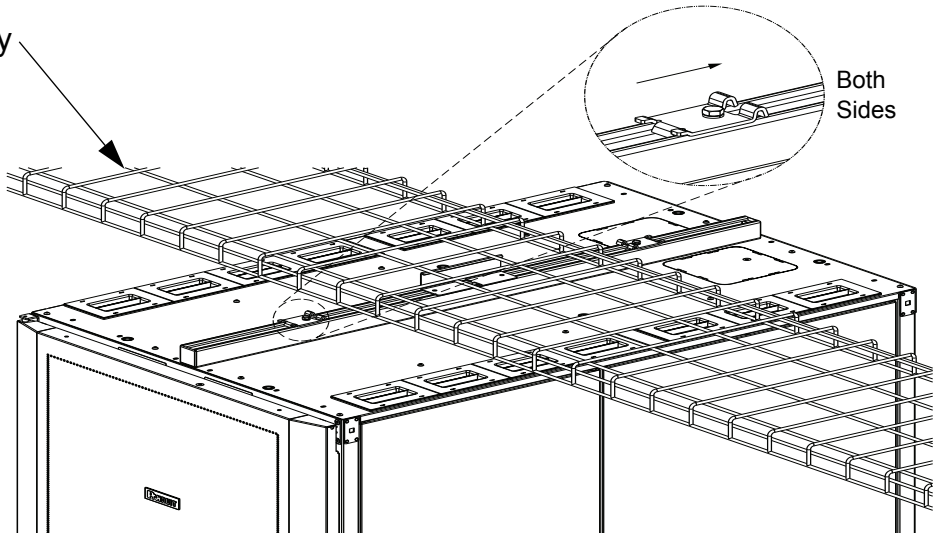
Step 1: Loosen clips & slide clips outside the pathway's width.
 Step 2: Install the Center Support in the desired location by inserting the Support in the strut parallel with the front of the cabinet & rotating 1/4 turn.



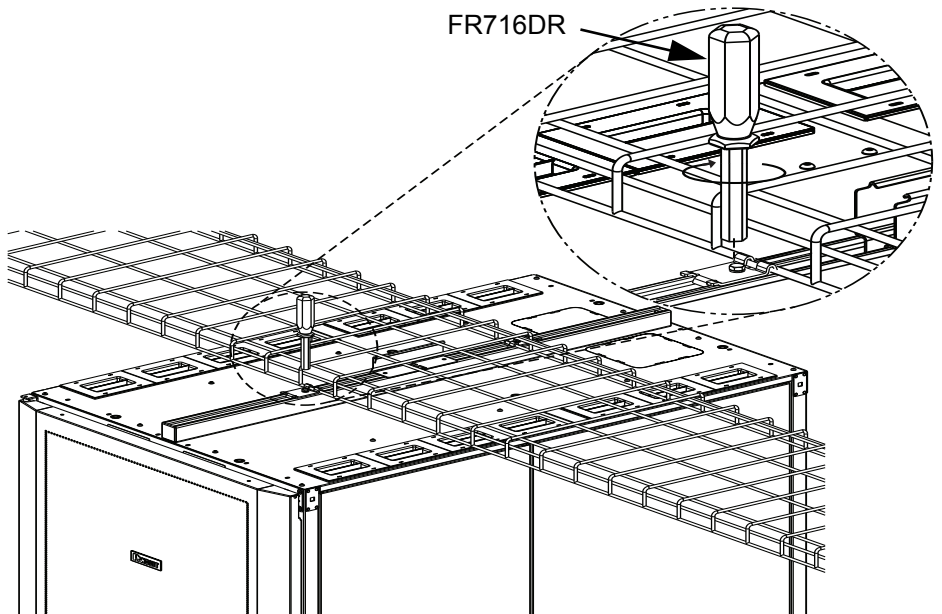
Wyr-Grid WG8**10, WG12**10, WG18**10, WG24**10, & WG30**10 Installation

Wyr-Grid Pathway

Step 1: Position Wyr-Grid & place clips over the pathways wires.



Step 2: Tighten both clips to 4 Lb-ft (5.4 N-m)



For Technical Support: www.panduit.com/resources/install_maintain.asp

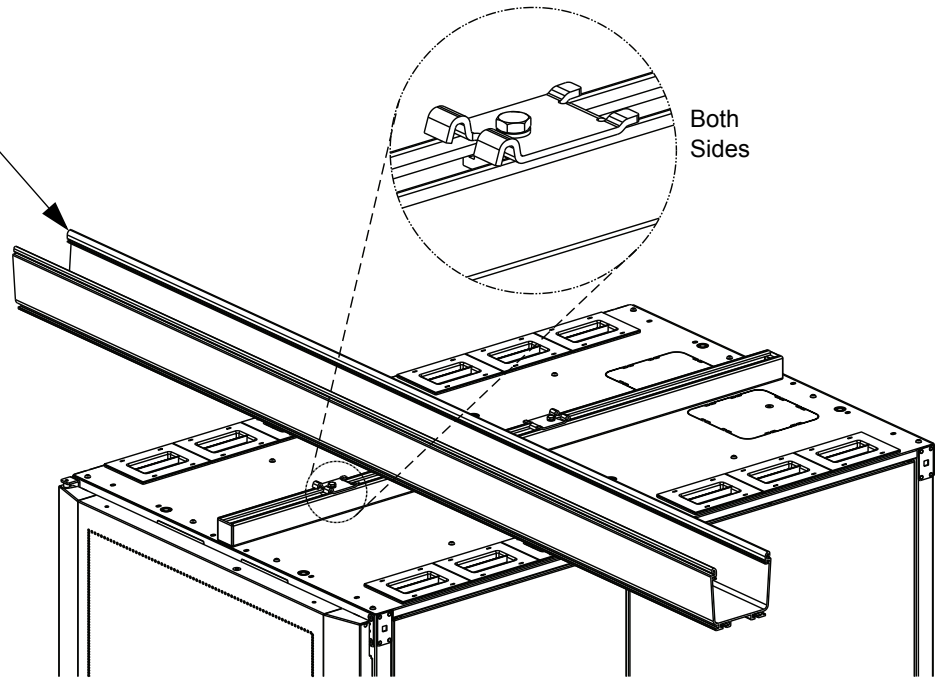
FiberRunner FR4X4**6, FR6X4**6, & FR12X4**6 Installation

NOTE: For FR24X4**6 Clips must be rotated 180°

FiberRunner Pathway

Step 1: Loosen clips & slide clips outside the channels width.

Step 2: Apply FiberRunner & engage the legs of channel with the clips.



Step 3: Tighten both clips to 4 Lb-ft (5.4 N-m)

