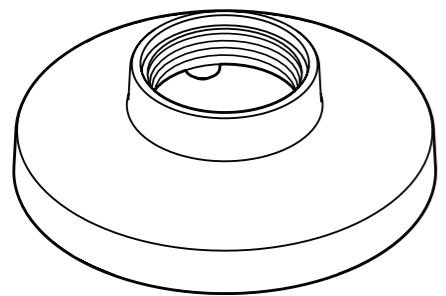
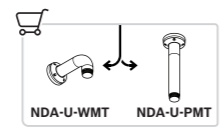
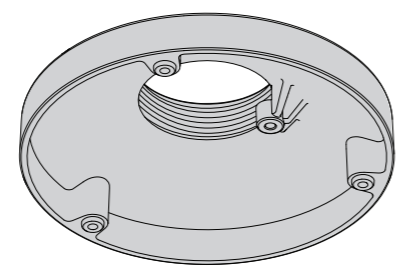


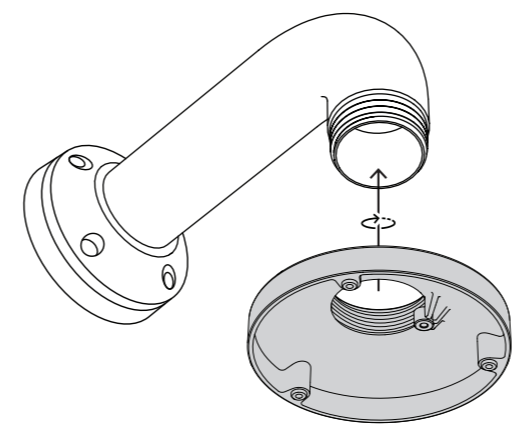
1 |



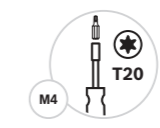
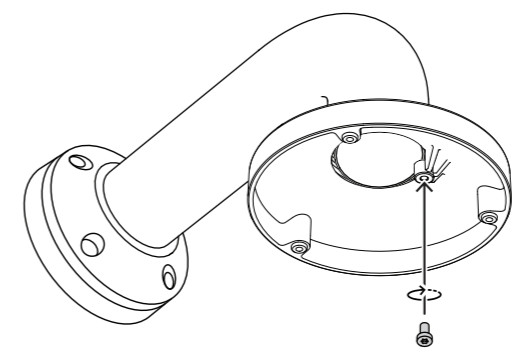
2 |



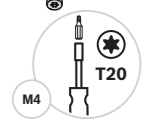
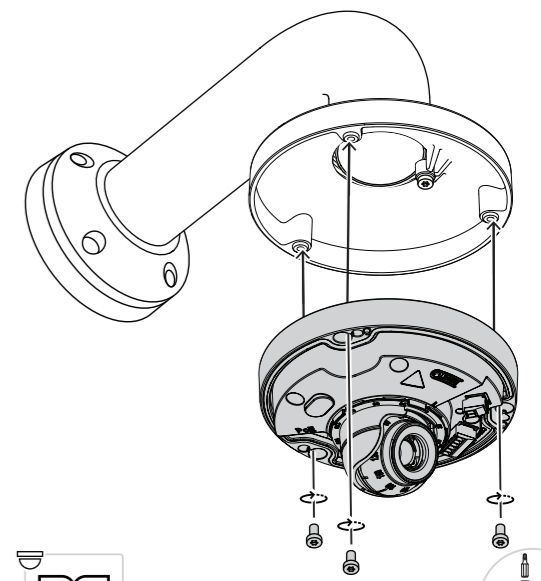
3 |



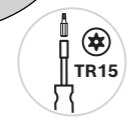
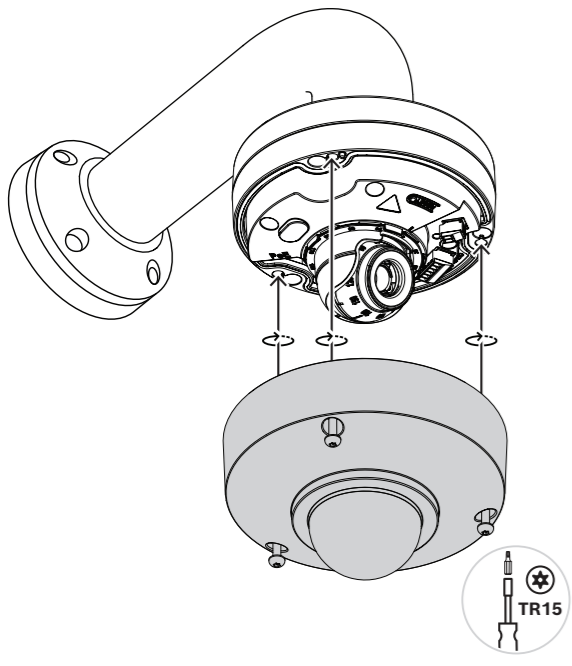
4 |



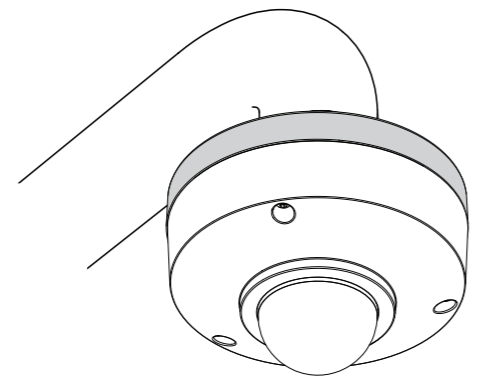
5 |



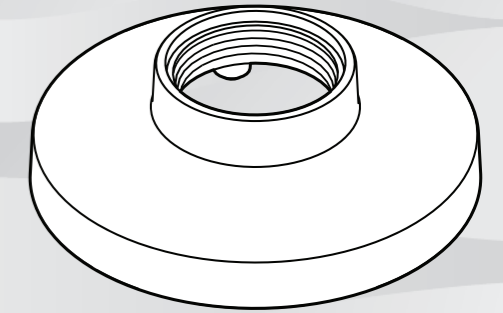
6 |



7 |



Pendant interface plate, 123mm
NDA-3082-PIP



en Quick installation guide

Bosch Security Systems B.V.
Torenallee 49
5617 BA Eindhoven
Netherlands
www.boschsecurity.com
© Bosch Security Systems B.V., 2021