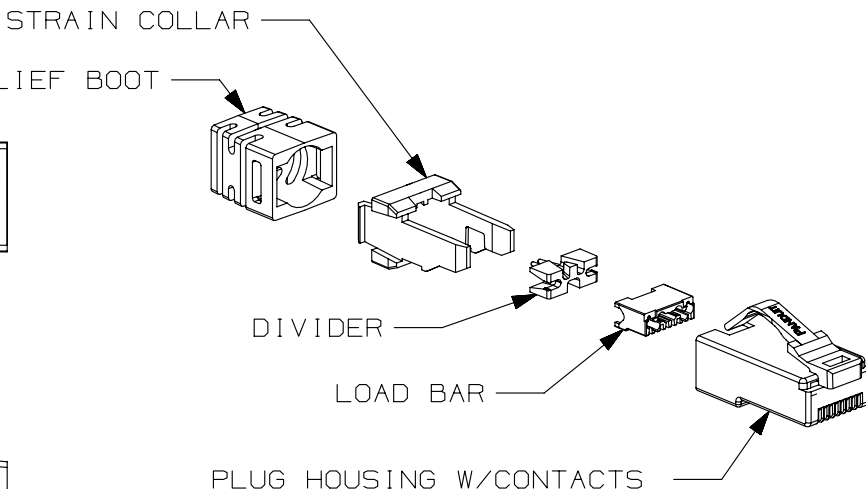
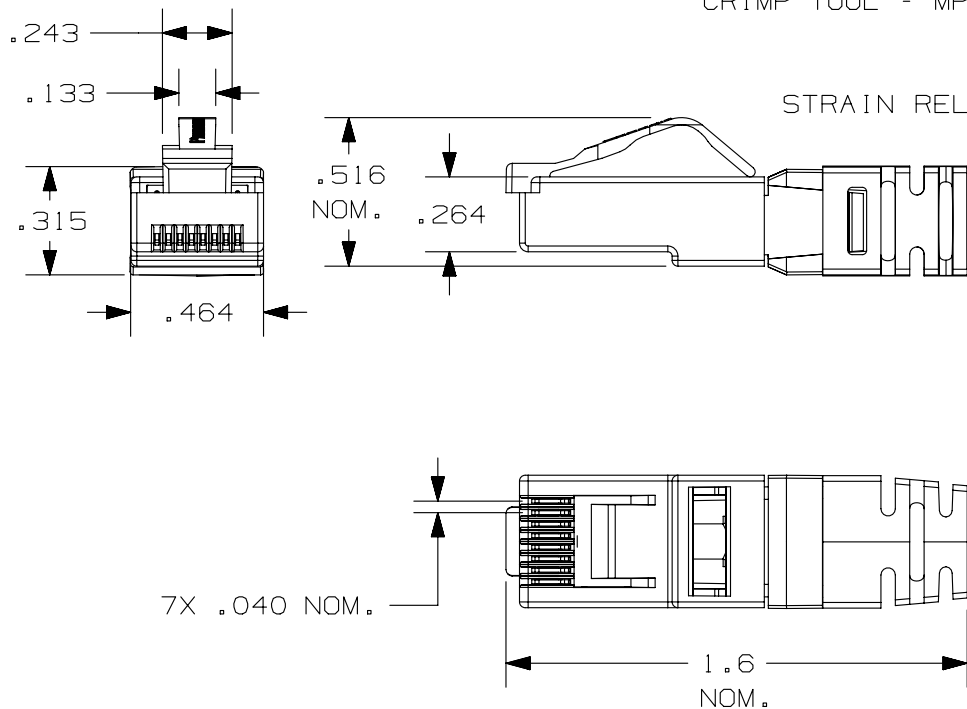


THIS COPY IS PROVIDED ON A RESTRICTED BASIS AND IS NOT TO BE USED IN ANY WAY DETRIMENTAL TO THE INTERESTS OF PANDUIT CORP.

PANDUIT P/N	WEIGHT
SP6X88P-C	.047 LB/10 PCS (21.4 g/10 PCS)

**NOTES:**

1. CAT 6A UTP MODULAR PLUG FOR USE WITH PANDUIT CATEGORY 6A PATCH CABLE.
2. MATERIALS: PLUG COMPONENTS - UL94V-0 RATED POLYCARBONATE, BOOT - PVC, CONTACTS - GOLD PLATED PHOSPHOR BRONZE.
3. PLUG DESIGNED AND TUNED EXCLUSIVELY FOR PANDUIT CAT6A UTP PATCH CABLE WITH MATRIX TECHNOLOGY.
  - A. .285" MAX. OUTER JACKET DIAMETER.
  - B. .041" MAX. CONDUCTOR INSULATION DIAMETER.
4. MEETS DIMENSIONAL REQUIREMENTS OF FCC PART 68 AND IEC 60603-7. ALL DIMENSIONS MAXIMUM UNLESS OTHERWISE SPECIFIED.
5. TERMINATED CONTACT HEIGHT DIMENSION: .237±.005".
6. OPERATING TEMPERATURE: -14°F TO 140°F (-10°C TO 60°C)
7. STORAGE TEMPERATURE: -40°F TO 158°F (-40°C TO 70°C).
8. RATED TO 2500 MATING CYCLES.
9. PLUG ASSEMBLY TOOL - CSPT.  
CRIMP TOOL - MPT5-8AS.



PART NUMBER	SP6X88P-C	PRODUCT SPEC/PKG SPEC	N/A
I.I. NUMBER	N/A	WORK INSTRUCTION	N/A

TITLE  
**Category 6A UTP Modular Plug for use with Panduit Category 6A Patch Cable**  
CUSTOMER DRAWING

ITEM REVISION NAME	M01185CH/00.PRT
DATASET FILE NAME	M01185CH_DC01/00C.PRT
UNLESS OTHERWISE SPECIFIED, DIMENSIONAL TOLERANCES ARE: IN ( mm )	
.X ± -	.XXX ± -
.XX ± -	ANGLES ± -
THIRD ANGLE PROJECTION	

**PANDUIT™**

MATERIAL:  
**SEE NOTES**

DRAWING NUMBER:  
**M01185CH-01**

REV	DATE	BY	CHK	APR	DESCRIPTION	ECN
1	7-19-13	MDJR	EJH	EJH	A. REVISED TITLE	M01185CH-01
R	12-21-12	MDJR	EJH	EJH	RELEASED TO PRODUCTION	M01185CH-01

DRAWN BY	DATE	CHK	SCALE	SHT 1 OF 1	SIZE
MDJR	12-21-12	EJH	NONE		A