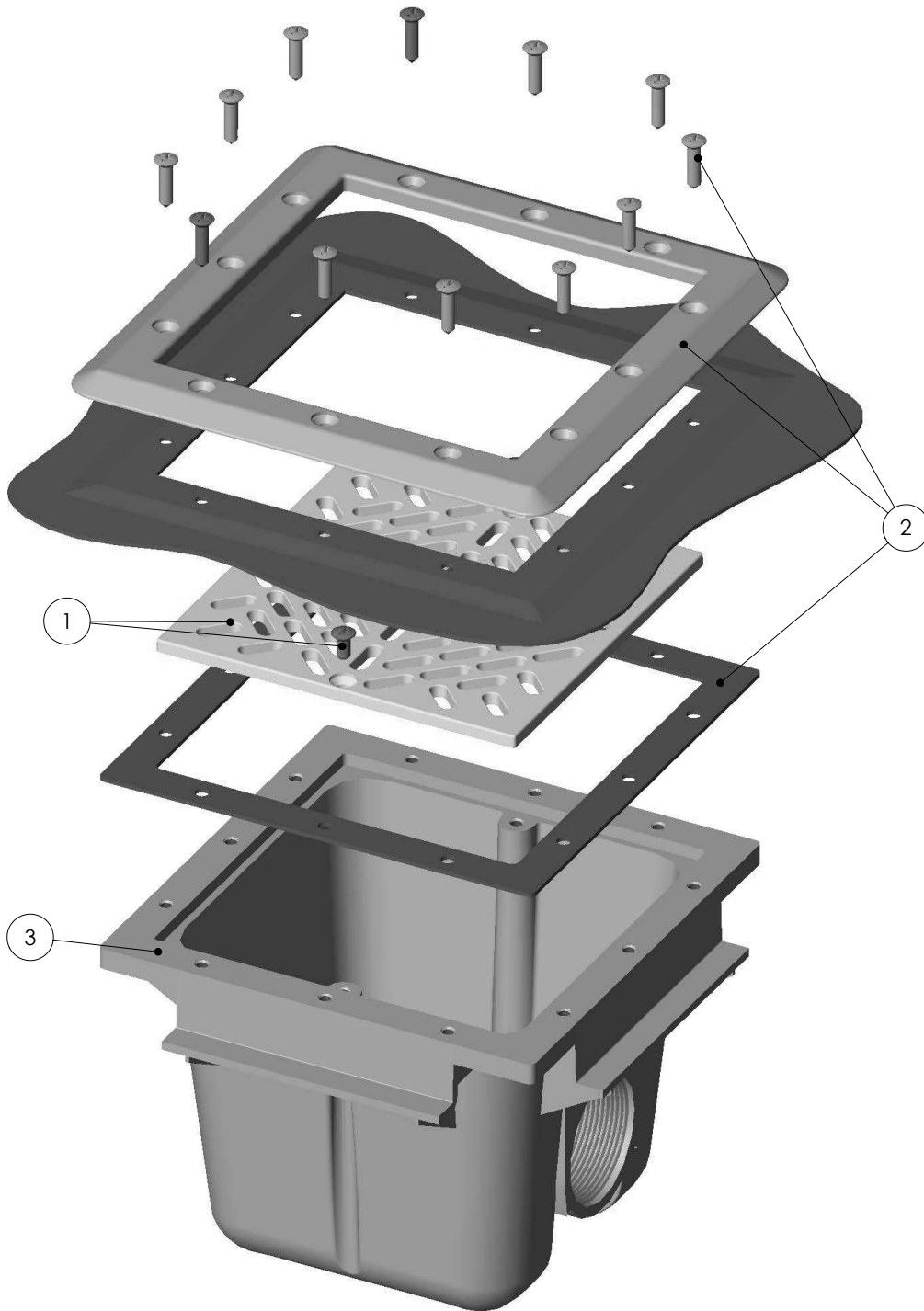


**CODES: 00273**

**DESCRIPTION: SQUARE MAIN DRAIN 210 X 210 LINER 2" SIDE OUTLET**



POS.	CODE	DESCRIPTION	POS.	CODE	DESCRIPTION
1	4402020401	2" SQUARE GRILLE	3	00273R0100	DRAIN BODY
2	4402021302	LINER POOL FLANGE			