

# 1SNA199421R1600 ✓ ACTIVE

ENTRELEC | ENTRELEC SNA

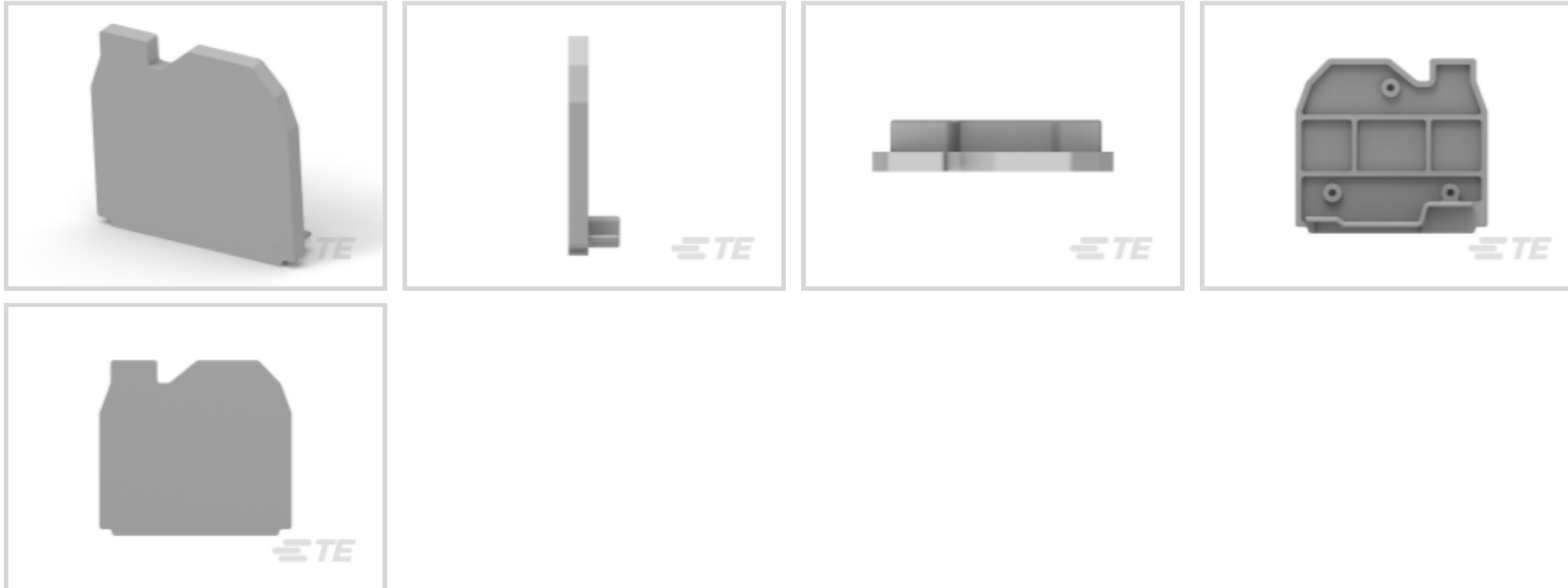
TE Internal #: 1SNA199421R1600

Terminal Block & Strip Insulating Accessories, End Section Cover,  
Used With Screw Clamp Terminal Blocks, -67 – 230 °F [-55 – 110 °C],  
ENTRELEC SNA

[View on TE.com >](#)



Connectors > Terminal Blocks & Strips > Terminal Block & Strip Accessories > Terminal Block & Strip Insulating Accessories



Insulating Accessory Type: **End Section Cover**

Compatible With Block or Strip Type: **Screw Clamp Terminal Blocks**

Operating Temperature Range: **-55 – 110 °C [-67 – 230 °F]**

## Features

### Product Type Features

Insulating Accessory Type	End Section Cover
---------------------------	-------------------

### Configuration Features

End Section Cover Type	Press-Fit
------------------------	-----------

### Body Features

Plastic & Resin Material Type	Polyamide
Product Weight	1.3 g[.046 oz]
Primary Product Color	Gray

### Mechanical Attachment

DIN Rail Mounting Type	G32, TH35-15, TH35-7.5
------------------------	------------------------

### Dimensions

Product Spacing	2.5 mm[.098 in]
-----------------	-----------------

### Usage Conditions

Storage Temperature Range	-55 – 110 °C[-67 – 230 °F]
Operating Temperature Range	-55 – 110 °C[-67 – 230 °F]

### Operation/Application

Compatible With Block or Strip Type

Screw Clamp Terminal Blocks

## Product Compliance

For compliance documentation, visit the product page on [TE.com](https://www.te.com)>

EU RoHS Directive 2011/65/EU

Compliant

EU ELV Directive 2000/53/EC

Compliant

China RoHS 2 Directive MIIT Order No 32, 2016

No Restricted Materials Above Threshold

EU REACH Regulation (EC) No. 1907/2006

Current ECHA Candidate List: JUNE 2022 (224)

Candidate List Declared Against: JUNE 2022 (224)

Does not contain REACH SVHC

Halogen Content

Low Halogen - Br, Cl, F, I &lt; 900 ppm per homogenous material. Also BFR/CFR/PVC Free

Solder Process Capability

Not reviewed for solder process capability

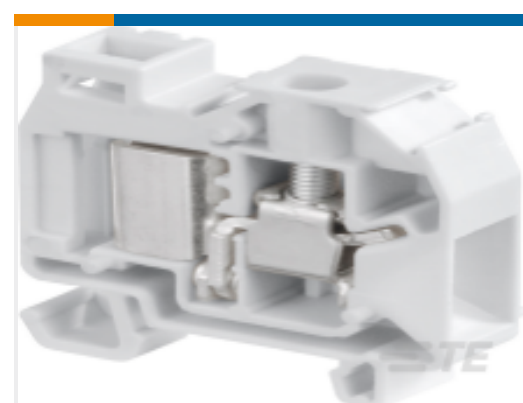
### Product Compliance Disclaimer

This information is provided based on reasonable inquiry of our suppliers and represents our current actual knowledge based on the information they provided. This information is subject to change. The part numbers that TE has identified as EU RoHS compliant have a maximum concentration of 0.1% by weight in homogenous materials for lead, hexavalent chromium, mercury, PBB, PBDE, DBP, BBP, DEHP, DIBP, and 0.01% for cadmium, or qualify for an exemption to these limits as defined in the Annexes of Directive 2011/65/EU (RoHS2). Finished electrical and electronic equipment products will be CE marked as required by Directive 2011/65/EU. Components may not be CE marked. Additionally, the part numbers that TE has identified as EU ELV compliant have a maximum concentration of 0.1% by weight in homogenous materials for lead, hexavalent chromium, and mercury, and 0.01% for cadmium, or qualify for an exemption to these limits as defined in the Annexes of Directive 2000/53/EC (ELV). Regarding the REACH Regulation, the information TE provides on SVHC in articles for this part number is based on the latest European Chemicals Agency (ECHA) 'Guidance on requirements for substances in articles' posted at this URL: <https://echa.europa.eu/guidance-documents/guidance-on-reach>

## Compatible Parts



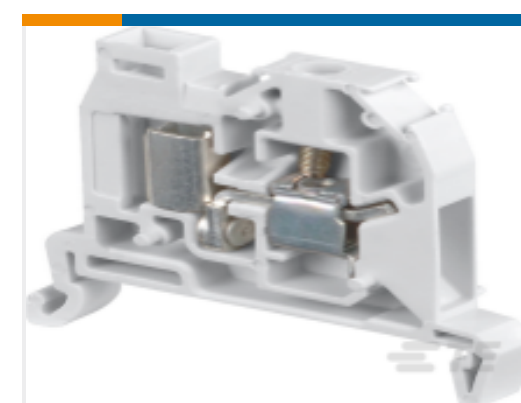
TE Part # 1SNA199275R0300  
DR4/6.ADO



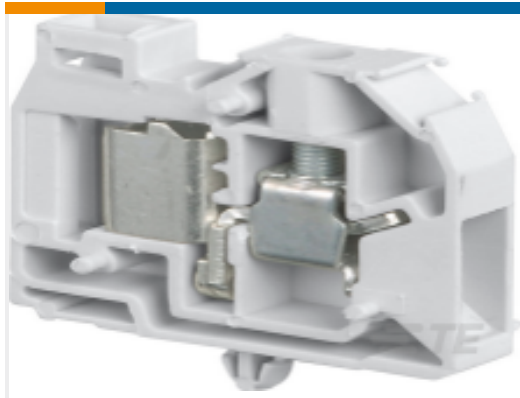
TE Part # 1SNA199279R1700  
DR4/8.ADO



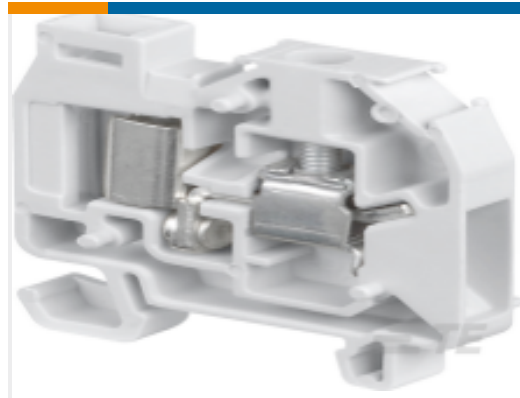
TE Part # 1SNA299489R0700  
DS4/6.ADO



TE Part # 1SNA299493R2300  
DS4/8.ADO



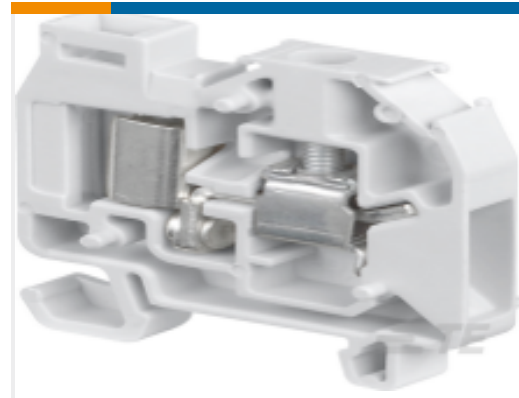
TE Part # 1SNA299521R2600  
DH4/6.ADO



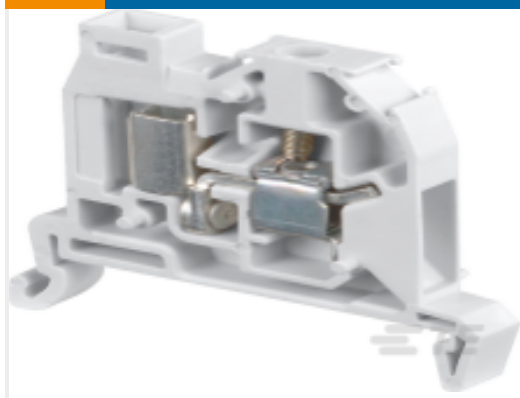
TE Part # 1SNA299552R0500  
DRE4/6.ADO



TE Part # 1SNA299632R0500  
DR4/8.P.ADO



TE Part # 1SNA399509R1700  
DR2.5/5.ADO



TE Part # 1SNA399514R2300  
DS2.5/5.ADO

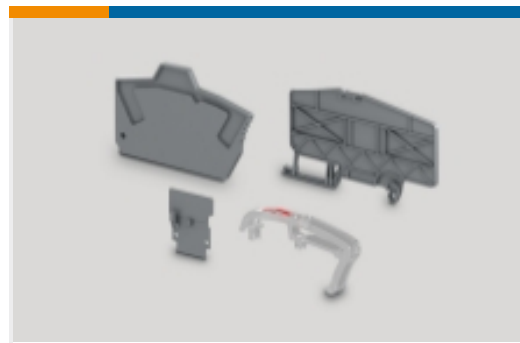
Also in the Series | **ENTRELEC SNA**



Modular Terminal Blocks(182)



Terminal Block & Strip Conducting Accessories(26)

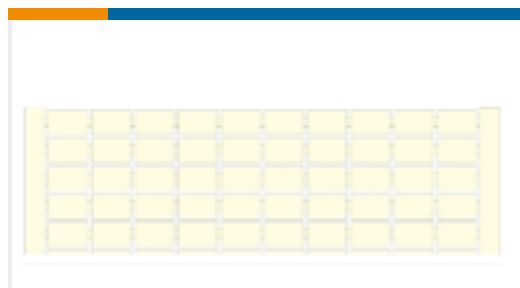


Terminal Block & Strip Insulating Accessories(14)

Customers Also Bought



TE Part #1SNA232004R2000  
RC65 21->30 (X10) HORIZONTAL



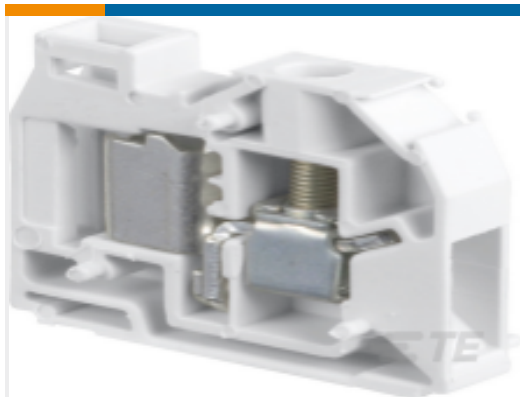
TE Part #1SNA233115R1400  
RC610 GROUND SYMBOL (X100) HORIZONTAL



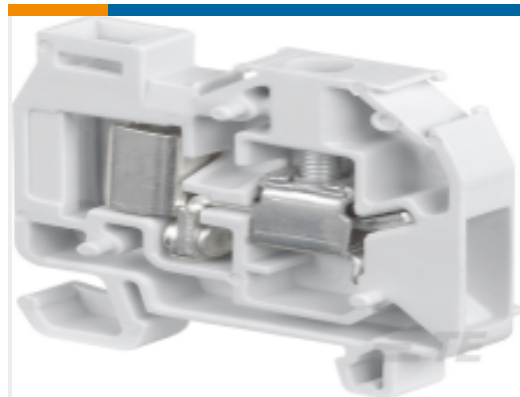
TE Part #1SNA199275R0300  
DR4/6.ADO



TE Part #1SNA199276R0400  
DR4/6.ADO



TE Part #1SNA299505R0700  
DB4/6.ADO



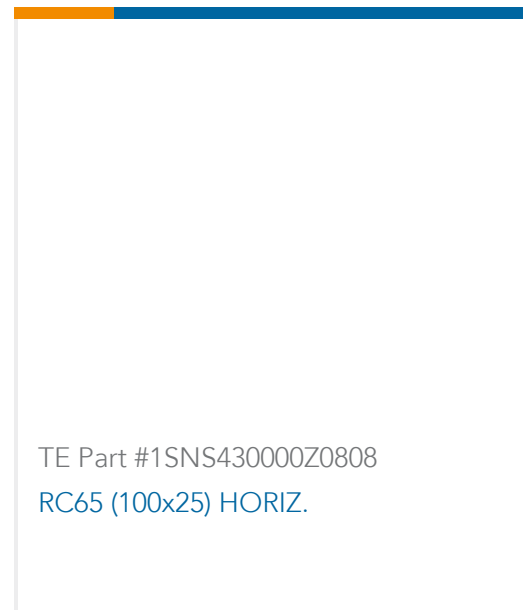
TE Part #1SNA299552R0500  
DRE4/6.ADO



TE Part #1SNA299612R0100  
DRE4/6.ADO



TE Part #1SNA050800R1000  
BLOC 61P LT 2C6-2C6



## Documents

### CAD Files

[3D PDF](#)

[3D](#)

### Customer View Model

[ENG\\_CVM\\_CVM\\_1SNA199421R1600\\_A.2d\\_dxf.zip](#)

English

### Customer View Model

[ENG\\_CVM\\_CVM\\_1SNA199421R1600\\_A.3d\\_igs.zip](#)

English

### Customer View Model

[ENG\\_CVM\\_CVM\\_1SNA199421R1600\\_A.3d\\_stp.zip](#)

English

By downloading the CAD file I accept and agree to the [Terms and Conditions](#) of use.

### Datasheets & Catalog Pages

[FEAD1 GRIS](#)

English

[ENTRELEC Terminal Block - Master Catalog](#)

English

[ENTRELEC Terminal Blocks Catalogue \(RUS\)](#)