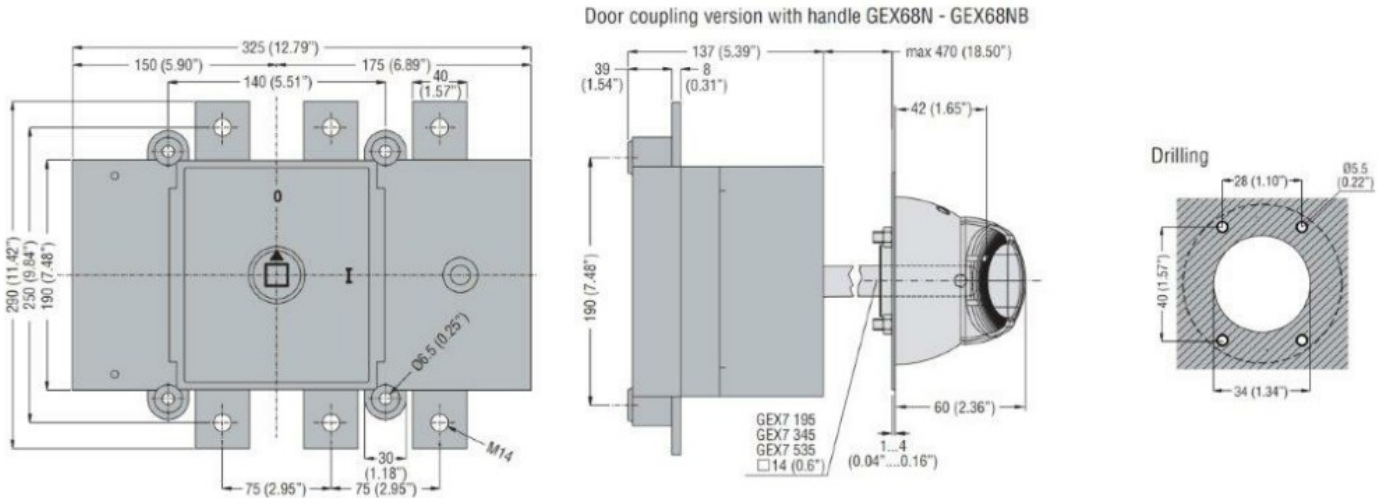




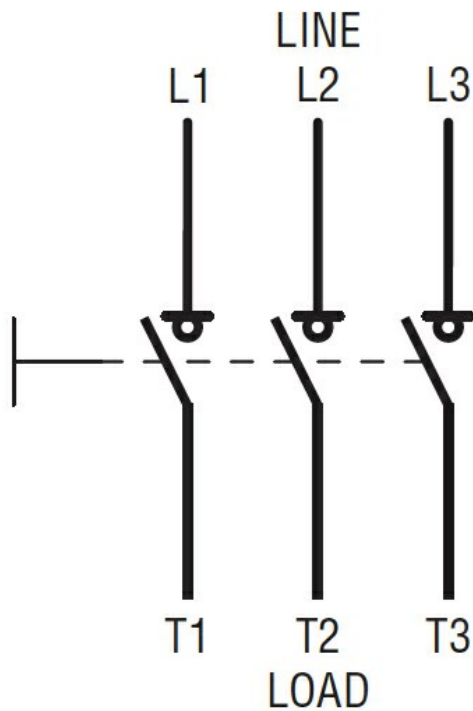
Product designation				Switch disconnecter
Product type designation				GE
Number of poles		Nr.	3	
Operating voltage type			AC	
Contact characteristics				
IEC Conventional free air thermal current I _{th}		A	1250	
Rated insulation voltage U _i IEC/EN		V	1000	
Rated impulse withstand voltage U _{imp}		kV	12	
Operating current I _e				
	AC21A			
		400V	A	1250
		500V	A	1250
		690V	A	1000
	AC22A			
		400V	A	1250
		500V	A	1000
		690V	A	630
	AC23A			
		400V	A	1000
		500V	A	800
		690V	A	500
Power dissipation per pole max		W	78	
Rated operational power AC23A				
		400V	kW	443
		690V	kW	478
Rated short time current (1s) I _{cw} (rms)		kA	25	
Conditional short-circuit current (rms)		kA	72	
Short-circuit protection with fuse		Class/A	gG1250	
Making capacity AC23A 400V		A	8000	
Breaking capacity AC23A 400V		A	6400	
Mechanical life		cycles	10000	
Electrical life AC21A		cycles	500 (AC23A 400V)	
Mechanical features				
Operating position		normal allowable	Vertical plan	
			Any	
Fixing			Screw	
Terminals		type screw	Bar M14	
Tightening torque for terminals				
		max	Nm	45
		max	lbin	10

Bar dimensions max	40x8		
Ambient conditions			
Operating temperature	min	°C	-25
	max	°C	55
Storage temperature			
	min	°C	-40
	max	°C	70
Max altitude	m	3000	
Resistance & Protection			
Frontal IP degree	IP20		
Pollution degree	3		

Dimensions



Wiring diagrams



Certifications and compliance

Compliance

IEC/EN 60947-1
IEC/EN 60947-3

Certifications

EAC

ETIM classification

ETIM 8.0

EC000216 -
Switch
disconnecter