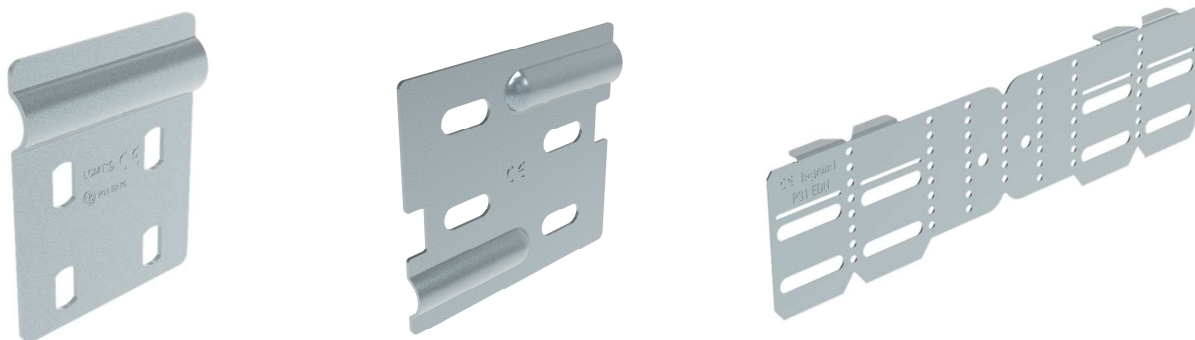


P31 – COUPLERS H75

Reference(s): X9G71..(Z,C,L) / 341216/343216/346785
X9G74..(Z,C,L)/ X9G76..(Z,L)/ X9G75..(Z,C)
481179/481180/481181/481182/481183
482304/482305/482306/482307/482308
486014/486015/486016/486017/486018



1. USE

All couplers in H75 for cable trays and fittings.

2. RANGE EA COUPLER

■ 2.1 EA Coupler H75-100 PG

Description	Code	Weight		Thickness		Coating
		(Kg)	(lb)	(mm)	(inch)	
P31-COUPLER FOR ACCESSORY H75 PG	X9G71Z	0,04	0,09	1,4	0,06	PG

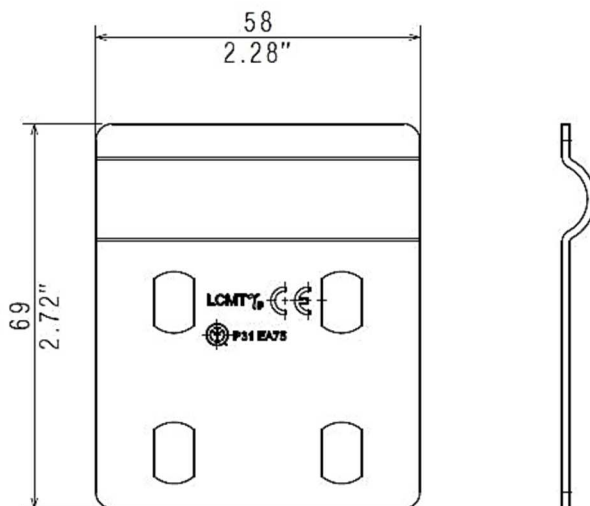
■ 2.2 EA Coupler H75-100 HDG

Description	Code	Weight		Thickness		Coating
		(Kg)	(lb)	(mm)	(inch)	
P31-COUPLER FOR ACCESSORY H75 HDG	X9G71C	0,04	0,09	1,4	0,06	HDG

■ 2.2 EA Coupler H75-100 SS316L

Description	Code	Weight		Thickness		Coating
		(Kg)	(lb)	(mm)	(inch)	
P31-COUPLER FOR ACCESSORY H75 SS316L	X9G71L	0,05	0,11	1,5	0,06	SS316L

3. DIMENSION EA COUPLER (mm/inch)



4. RANGE EP COUPLER

■ **4.1 EP Coupler H75 PG**

Description	Code	Weight		Thickness		Coating
		(Kg)	(lb)	(mm)	(inch)	
P31-COUPLER EP75-100 PG	341216	0,15	0,33	1,4	0,06	PG

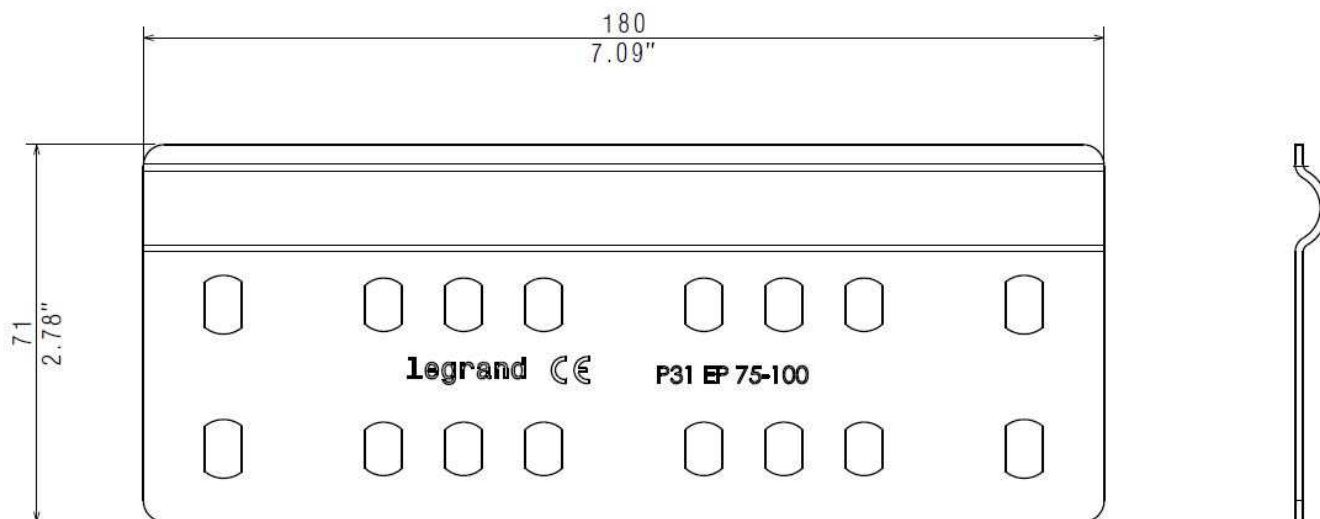
■ **4.2 EP Coupler H75 HDG**

Description	Code	Weight		Thickness		Coating
		(Kg)	(lb)	(mm)	(inch)	
P31-COUPLER EP75-100 HDG	343216	0,16	0,35	1,5	0,06	HDG

■ **4.3 EP Coupler H75 SS304**

Description	Code	Weight		Thickness		Coating
		(Kg)	(lb)	(mm)	(inch)	
P31-COUPLER EP75-100 SS304	346785	0,16	0,35	1,5	0,06	SS304

5. DIMENSIONS EP COUPLER (mm/inch)



6. RANGE EDU COUPLER

■ **6.1 EDU Coupler H75 PG**

Description	Code	Weight		Thickness		Coating
		(Kg)	(lb)	(mm)	(inch)	
P31-UNIVERSAL COUPLER EDU H75 PG	X9G74Z	0,15	0,33	0,95	0,04	PG

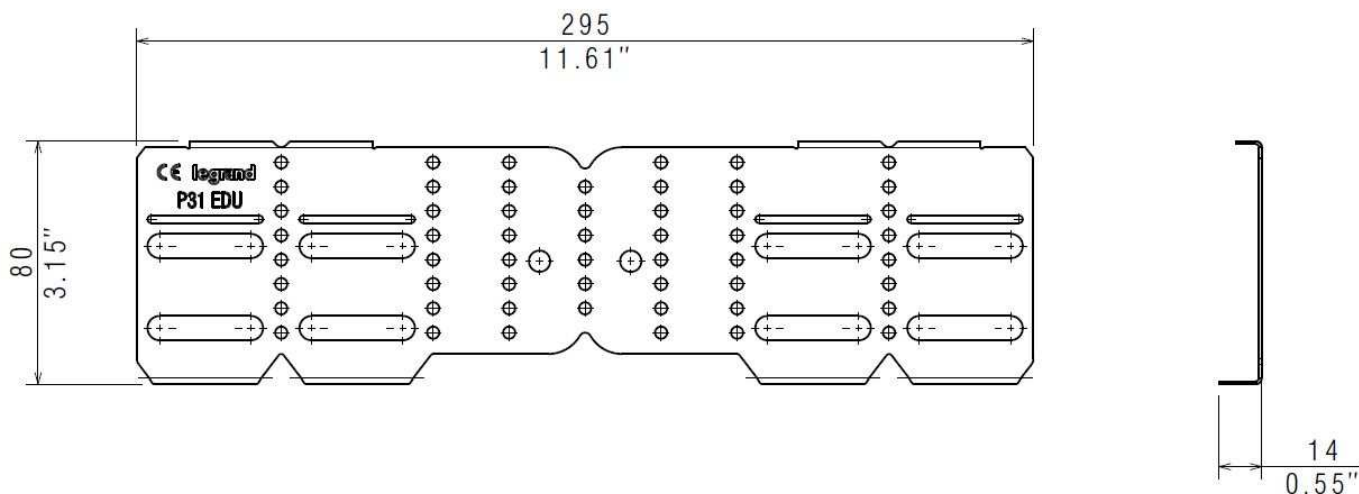
■ **6.2 EDU Coupler H75 HDG**

Description	Code	Weight		Thickness		Coating
		(Kg)	(lb)	(mm)	(inch)	
P31-UNIVERSAL COUPLER EDU H75 HDG	X9G74C	0,17	0,36	0,95	0,04	HDG

■ **6.3 EDU Coupler H75 SS316L**

Description	Code	Weight		Thickness		Coating
		(Kg)	(lb)	(mm)	(inch)	
P31-UNIVERSAL COUPLER EDU H75 SS 316L	X9G74L	0,15	0,33	1,0	0,04	SS316L

7. DIMENSIONS EDU COUPLER (mm/inch)



8. RANGE TWIST COUPLER

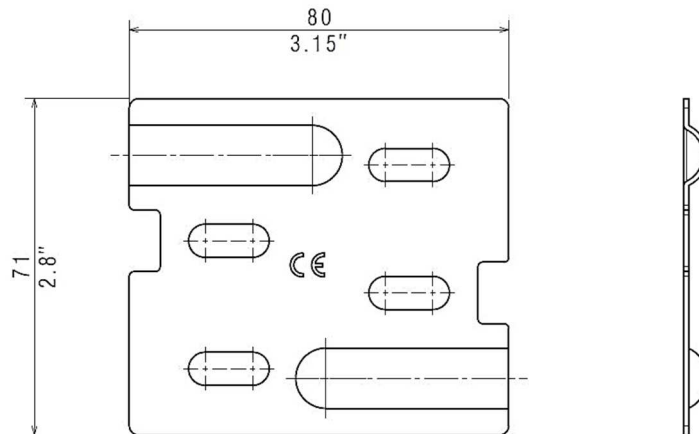
■ **8.1 TWIST Coupler H75 PG**

Description	Code	Weight		Thickness		Coating
		(Kg)	(lb)	(mm)	(inch)	
P31- TWIST COUPLER H75MM PG	X9G76Z	0,08	0,18	0,95	0,04	PG

■ **8.2 TWIST Coupler H75 SS316L**

Description	Code	Weight		Thickness		Coating
		(Kg)	(lb)	(mm)	(inch)	
P31-TWIST COUPLER H75MM SS316L	X9G76L	0,09	0,20	1,0	0,04	SS316L

9. DIMENSIONS TWIST COUPLER (mm/inch)



10. RANGE EV COUPLER

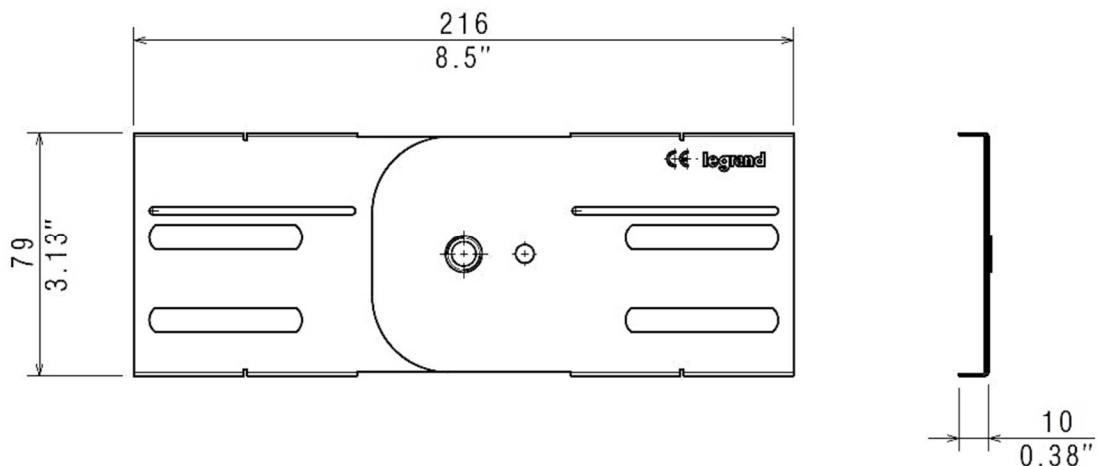
■ **10.1 EV Coupler H75 PG**

Description	Code	Weight		Thickness		Coating
		(Kg)	(lb)	(mm)	(inch)	
P31-COUPLER EV H75 PG	X9G75Z	0,13	0,28	0,75	0,03	PG

■ **10.2 EV Coupler H75 HDG**

Description	Code	Weight		Thickness		Coating
		(Kg)	(lb)	(mm)	(inch)	
P31-COUPLER EV H75 HDG	X9G75C	0,14	0,30	0,75	0,03	HDG

11. DIMENSIONS EV COUPLER (mm/inch)



14. RANGE PERFORATED BOTTOM COUPLER

■ 14.1 Perforated bottom coupler PG

Description	Code	Width		Weight		Thickness		Coating
		(mm)	(inch)	(Kg)	(lb)	(mm)	(inch)	
P31-PERFORATED BOTTOM COUPLER 200 PG	481179	130,0	5,12	0,28	0,62	1,5	0,06	PG
P31-PERFORATED BOTTOM COUPLER 300 PG	481180	230,0	9,06	0,45	0,99	1,5	0,06	PG
P31-PERFORATED BOTTOM COUPLER 400 PG	481181	320,0	12,60	0,64	1,42	1,5	0,06	PG
P31-PERFORATED BOTTOM COUPLER 500 PG	481182	420,0	16,54	0,86	1,89	1,5	0,06	PG
P31-PERFORATED BOTTOM COUPLER 600 PG	481183	520,0	20,47	1,07	2,36	1,5	0,06	PG

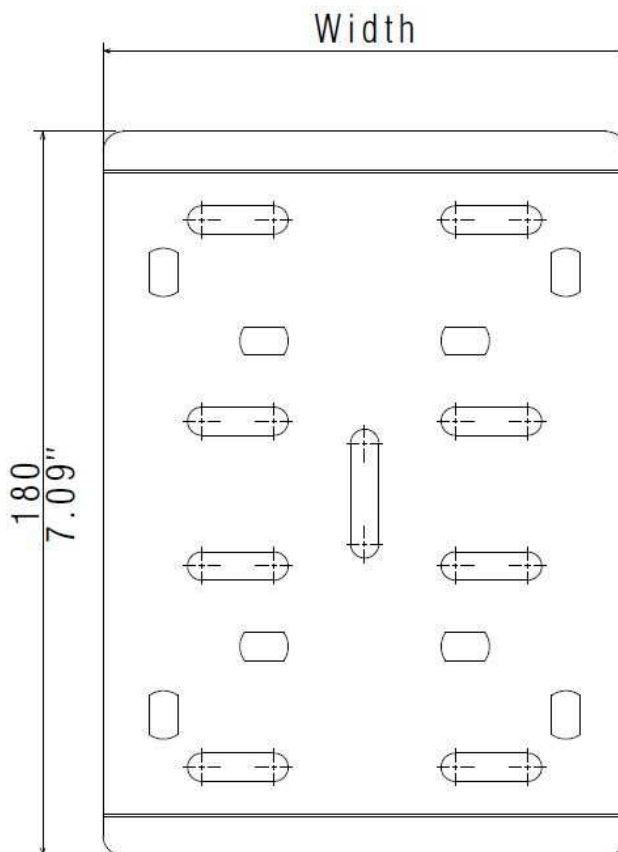
■ 14.2 Perforated bottom coupler HDG

Description	Code	Width		Weight		Thickness		Coating
		(mm)	(inch)	(Kg)	(lb)	(mm)	(inch)	
P31-PERFORATED BOTTOM COUPLER 200 HDG	482304	130,0	5,12	0,28	0,62	1,5	0,06	HDG
P31-PERFORATED BOTTOM COUPLER 300 HDG	482305	230,0	9,06	0,45	0,99	1,5	0,06	HDG
P31-PERFORATED BOTTOM COUPLER 400 HDG	482306	320,0	12,60	0,64	1,42	1,5	0,06	HDG
P31-PERFORATED BOTTOM COUPLER 500 HDG	482307	420,0	16,54	0,86	1,89	1,5	0,06	HDG
P31-PERFORATED BOTTOM COUPLER 600 HDG	482308	520,0	20,47	1,07	2,36	1,5	0,06	HDG

■ 14.3 Perforated bottom coupler SS316L

Description	Code	Width		Weight		Thickness		Coating
		(mm)	(inch)	(Kg)	(lb)	(mm)	(inch)	
P31-PERFORATED BOTTOM COUPLER 200 SS316L	486014	130,0	5,12	0,28	0,62	1,5	0,06	SS316L
P31-PERFORATED BOTTOM COUPLER 300 SS316L	486015	230,0	9,06	0,45	0,99	1,5	0,06	SS316L
P31-PERFORATED BOTTOM COUPLER 400 SS316L	486016	320,0	12,60	0,64	1,42	1,5	0,06	SS316L
P31-PERFORATED BOTTOM COUPLER 500 SS316L	486017	420,0	16,54	0,86	1,89	1,5	0,06	SS316L
P31-PERFORATED BOTTOM COUPLER 600 SS316L	486018	520,0	20,47	1,07	2,36	1,5	0,06	SS316L

15. DIMENSIONS PERFORATED BOTTOM COUPLER (mm/inch)



16. INSTALLATION

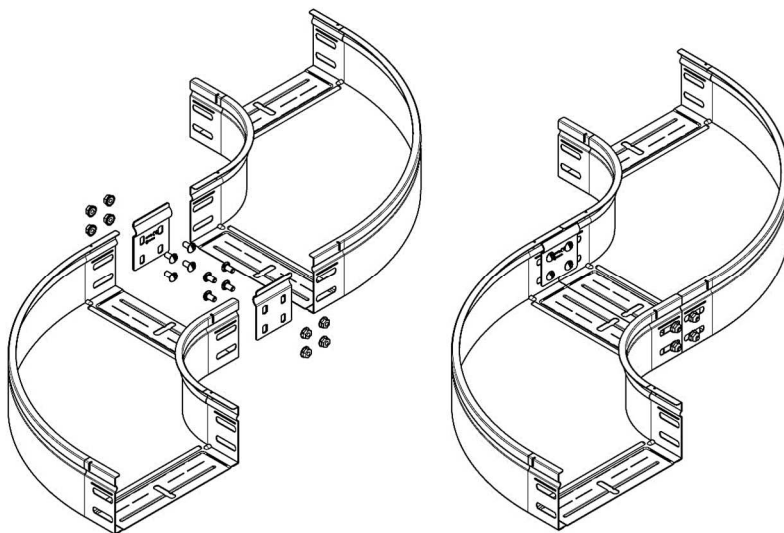
■ 16.1 Screw

Use screws M6x12 tightened at 11Nm

Reference(s): 341895/ 03V1M610Z (PG)
485035 (Zn-Ni)
346895/ 03V1M610L (SS316L)

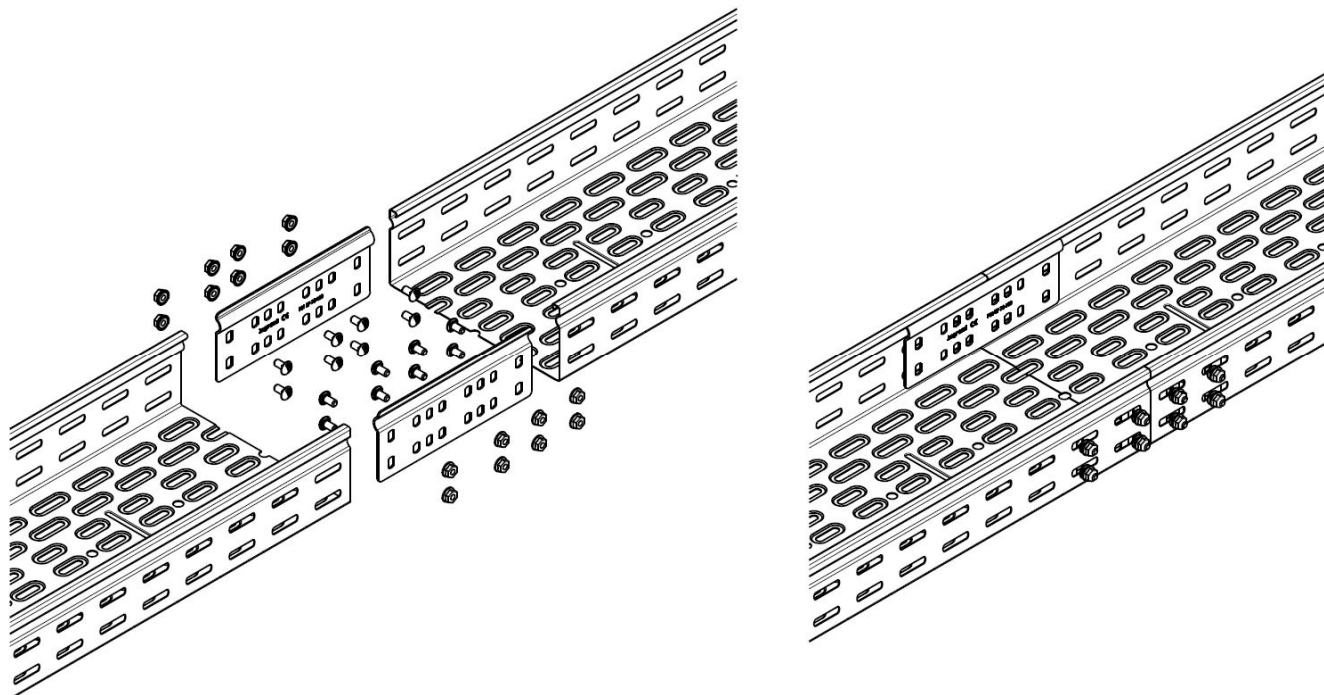
■ 16.2 EA Coupler installation

Slide together the two fittings and add 2pc of EA couplers height 75-100 using 4 screws M6x12 on each coupler.



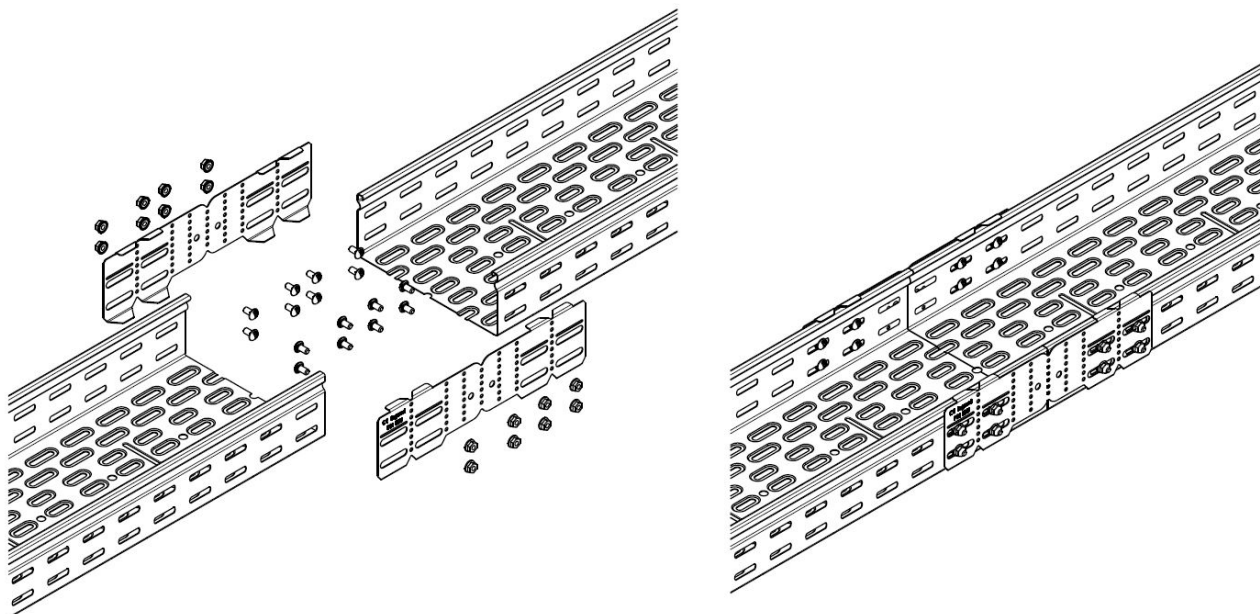
■ 16.3 EP Coupler installation

Use 2pc EP coupler, assembled using 8 screws M6x12 on each coupler.



■ 16.4 EDU Coupler installation

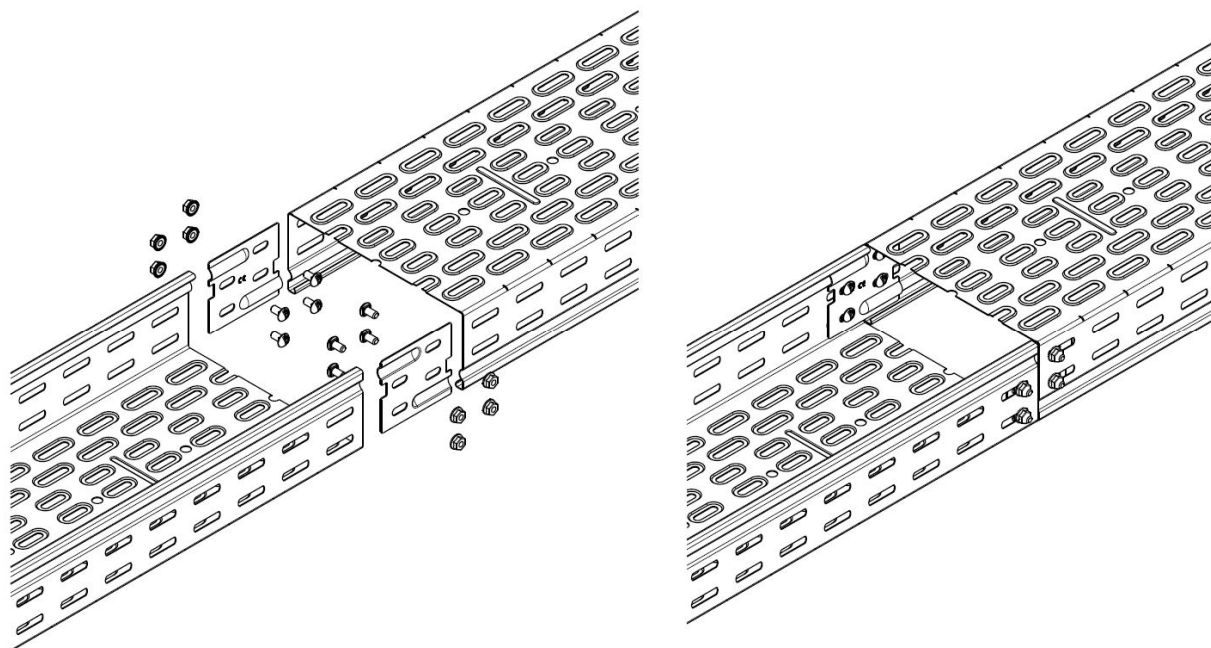
Use 2pc EDU coupler, assembled using 8 screws M6x12 on each coupler.



■ 16.5 TWIST Coupler installation

Use 2pc TWIST coupler, assembled using 4 screws M6x12 on each coupler.

Using this coupler, you can insert the next cable tray with the bottom upside down as you can see in the pictures below.

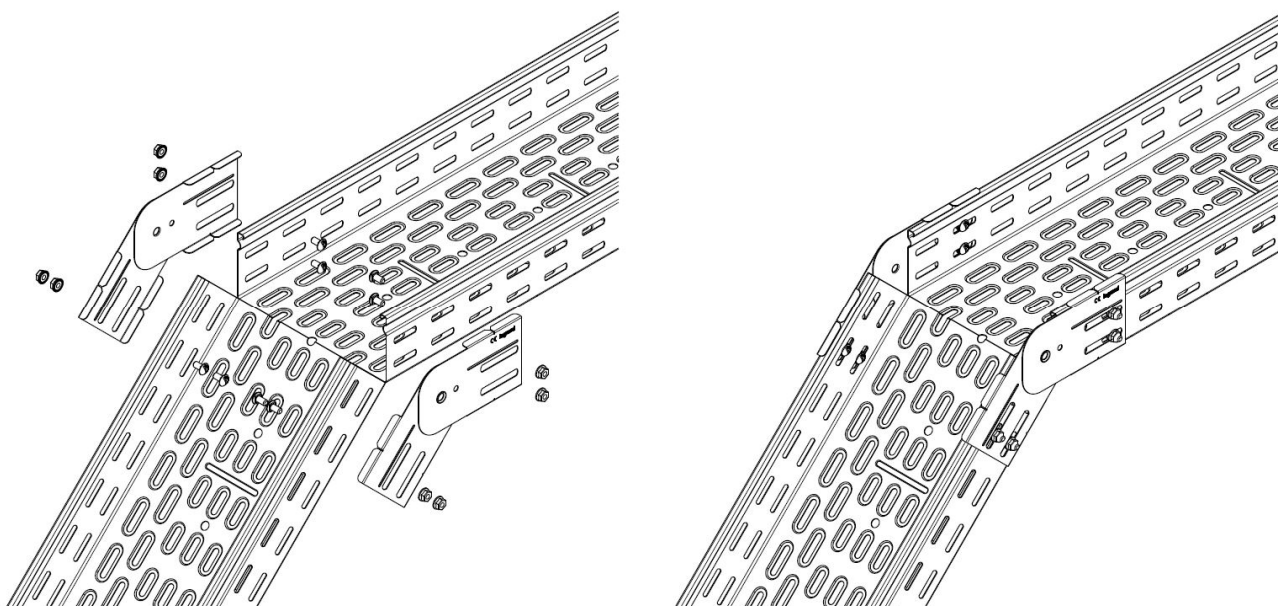


■ 16.6 EV Coupler installation

Use 2pc EV coupler, assembled using 4 screws M6x12 on each coupler.

The vertical coupler is used to connect the side wall when bending cable trays in vertical direction.

This allows the installation the change of height or forming an articulated vertical bend.

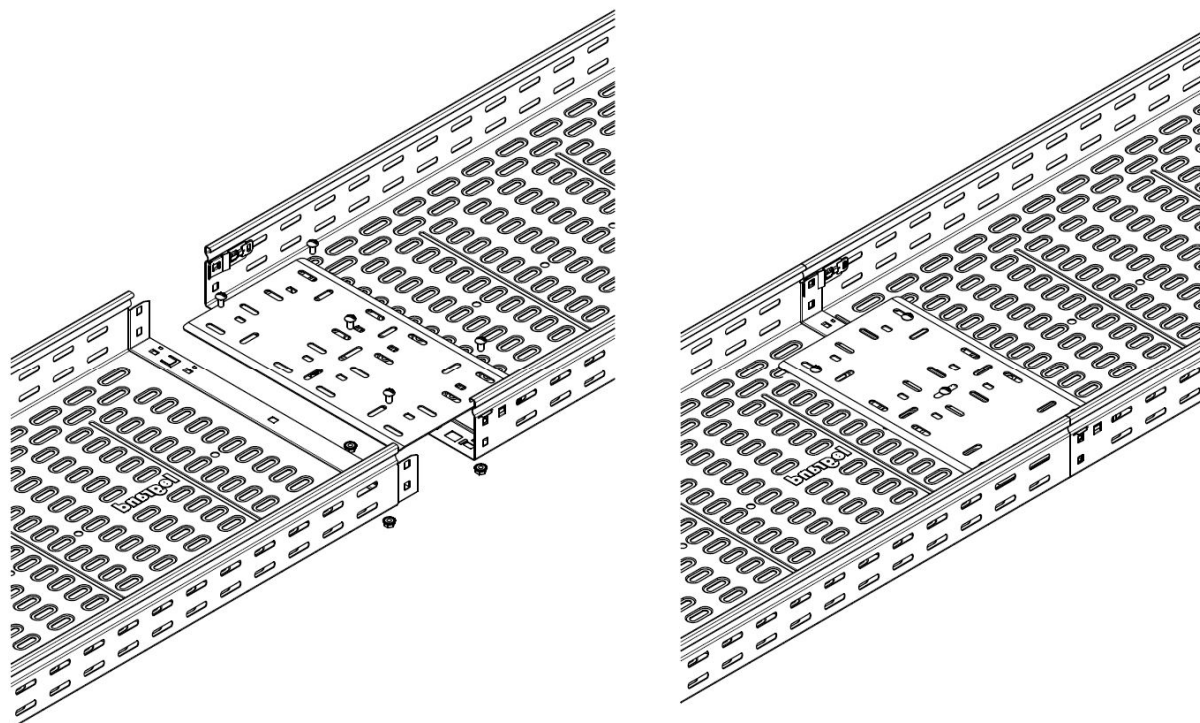


■ 16.7 Perforated bottom coupler

Join cable tray as a standard installation.

Put an extra bottom plate using 5 additional screws M6x12 to improve the safety working load.

For application on blind bottom drill 4 holes \varnothing 7mm.



17. TECHNICAL DATA■ **17.1 Climatic characteristics**

Storage and operating temperature: - 20° C à + 120° C

■ **17.2 Material characteristics**

Material finish	Material	Standard	Resistance class against corrosion
PG	DX51D + Z200	EN 10346	Classe 3 - CEI 61537
BLUE	DX51D + Z200	EN 10346	Classe 3 - CEI 61537
HDG	DC 01	EN 10130	Classe 6 - CEI 61537
SS304	X5CrNi18-10	EN 10 088-2	Classe 9A - CEI 61537
SS316L	X2CrNiMo17-12-2	EN 10 088-2	Classe 9B - CEI 61537

18. CONFORMITY - CERTIFICATION

Comply with CEI 61537 Cable tray systems

Certification: CE, IMQ