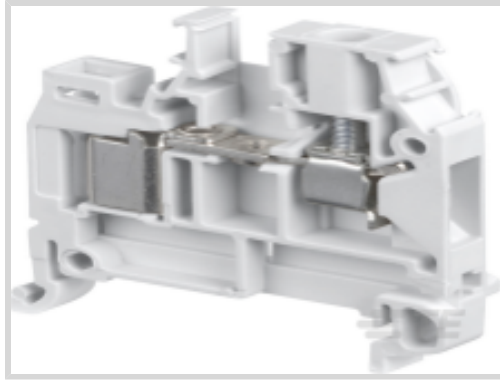


1SNA199035R1600 ✓ ACTIVE

TE Internal #: 1SNA199035R1600

TE Internal Description: D4/6.ADO

[View on TE.com >](#)



Product Compliance

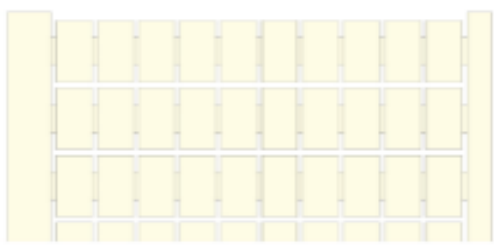
[For compliance documentation, visit the product page on TE.com>](#)

EU RoHS Directive 2011/65/EU	Compliant
EU ELV Directive 2000/53/EC	Compliant
China RoHS 2 Directive MIIT Order No 32, 2016	No Restricted Materials Above Threshold
EU REACH Regulation (EC) No. 1907/2006	Current ECHA Candidate List: JUNE 2022 (224) Candidate List Declared Against: JUNE 2022 (224) Does not contain REACH SVHC
Halogen Content	Low Halogen - Br, Cl, F, I < 900 ppm per homogenous material. Also BFR/CFR/PVC Free
Solder Process Capability	Not reviewed for solder process capability


Product Compliance Disclaimer

This information is provided based on reasonable inquiry of our suppliers and represents our current actual knowledge based on the information they provided. This information is subject to change. The part numbers that TE has identified as EU RoHS compliant have a maximum concentration of 0.1% by weight in homogenous materials for lead, hexavalent chromium, mercury, PBB, PBDE, DBP, BBP, DEHP, DIBP, and 0.01% for cadmium, or qualify for an exemption to these limits as defined in the Annexes of Directive 2011/65/EU (RoHS2). Finished electrical and electronic equipment products will be CE marked as required by Directive 2011/65/EU. Components may not be CE marked. Additionally, the part numbers that TE has identified as EU ELV compliant have a maximum concentration of 0.1% by weight in homogenous materials for lead, hexavalent chromium, and mercury, and 0.01% for cadmium, or qualify for an exemption to these limits as defined in the Annexes of Directive 2000/53/EC (ELV). Regarding the REACH Regulation, the information TE provides on SVHC in articles for this part number is based on the latest European Chemicals Agency (ECHA) 'Guidance on requirements for substances in articles' posted at this URL: <https://echa.europa.eu/guidance-documents/guidance-on-reach>

Compatible Parts



TE Part # 1SNA103775R0000
RC65-BL



TE Part # 1SNA103776R0100
RC65-RD



TE Part # 1SNA113546R1400
PC6-2



TE Part # 1SNA113548R2600
PC6-10



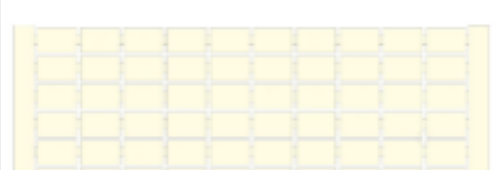
TE Part # 1SNA116536R0500
PC6-3



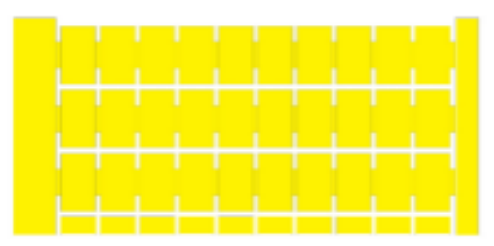
TE Part # 1SNA116537R0600
PC6-4



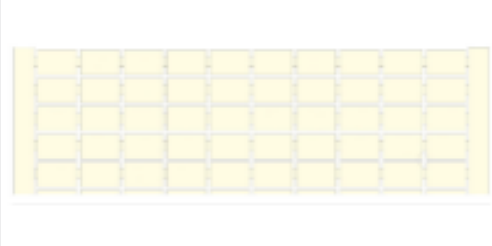
TE Part # 1SNA173059R0300
DCJ



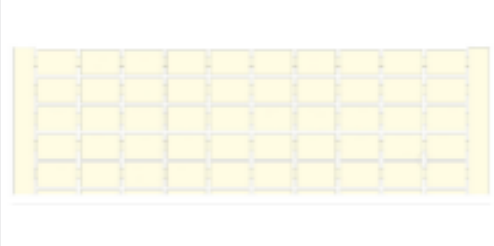
TE Part # 1SNA206230R1100
RC610-GN




TE Part # 1SNA206231R0600
RC610-YL



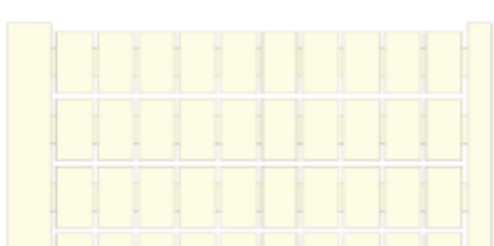
TE Part # 1SNA206232R0700
RC610-OR



TE Part # 1SNA206233R0000
RC610-BL



TE Part # 1SNA206235R0200
RC610-RD




TE Part # 1SNA232000R0000
RC65




TE Part # 1SNA233000R0100
RC610



TE Part # 1SNA007865R2600
FC2



TE Part # 1SNA113550R2400
EIP




TE Part # 1SNA114205R2000
AD2.5



TE Part # 1SNA163043R2100
AL2

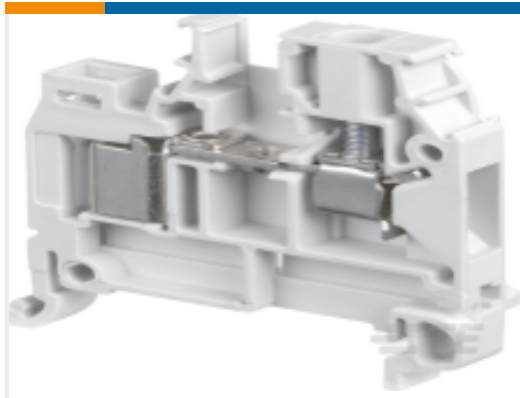


TE Part # 1SNA163261R0000
AL3

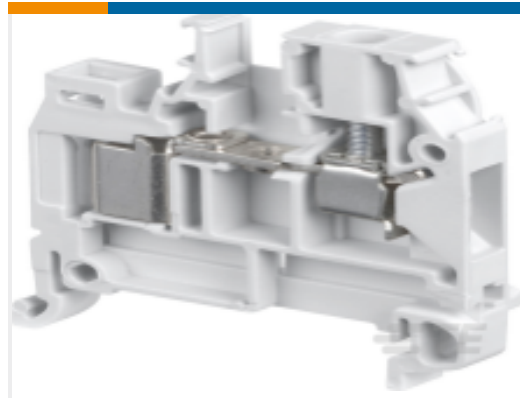


TE Part # 1SNA167860R0100
FC4

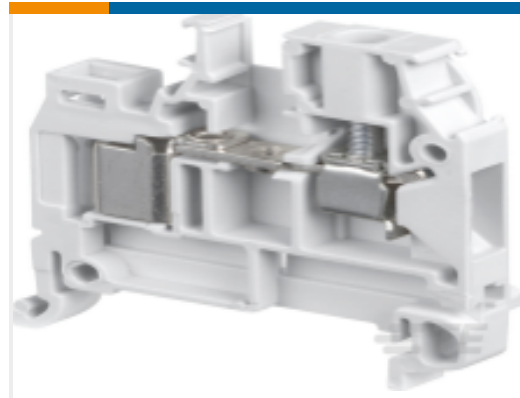
Customers Also Bought



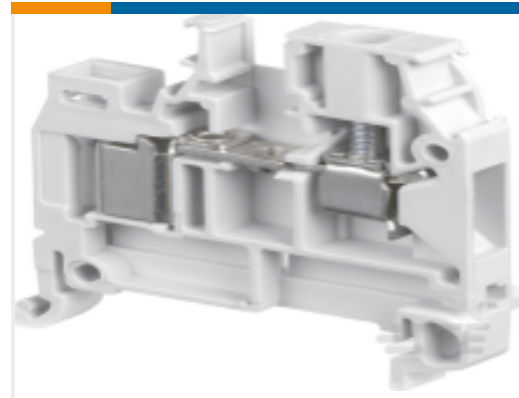
TE Part #1SNA199036R1700
D4/6.N.ADO



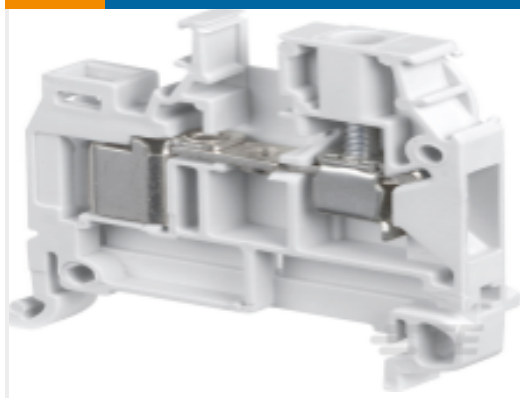
TE Part #1SNA199039R2200
D4/6.ADO



TE Part #1SNA199040R0700
D4/6.ADO



TE Part #1SNA199069R0000
D4/6.ADO



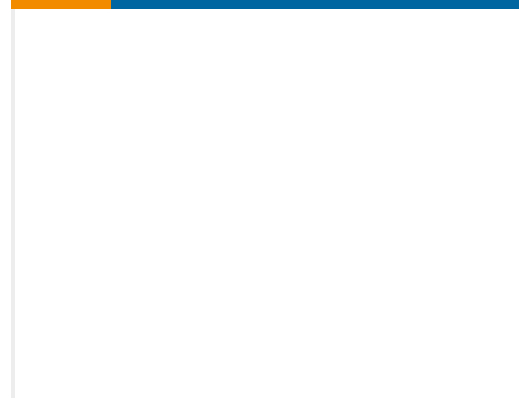
TE Part #1SNA199071R2200
D4/6.ADO



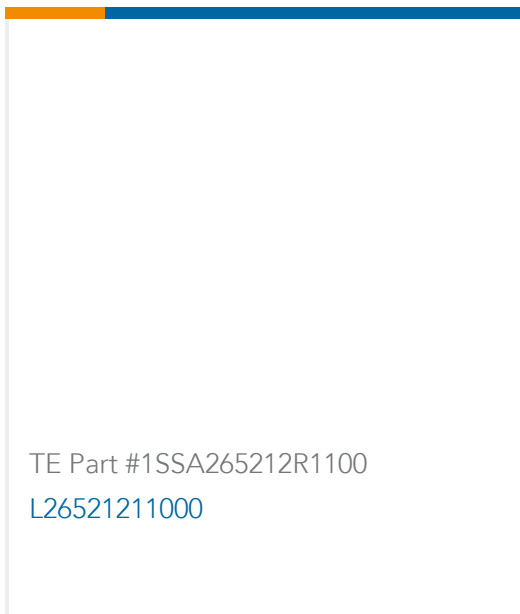
TE Part #1SNA094374R2000
CPFT2/R-24



TE Part #1SSA265205R1100
L26520511000



TE Part #1SSA265210R1100
L26521011000



TE Part #1SSA265212R1100
L26521211000



TE Part #1SSA365203R1100
L36520311000

Documents

Datasheets & Catalog Pages

[D4/6.ADO](#)

English

[ENTRELEC Terminal Block - Master Catalog](#)

English

[ENTRELEC Terminal Blocks Catalogue \(RUS\)](#)